

[54] VACUUM CLEANER

[75] Inventors: **Toshihiko Yoshida, Suita; Yoshiaki Ueda, Osaka, both of Japan**

[73] Assignee: **Matsushita Electric Industrial Co., Ltd., Kadoma, Japan**

[**] Term: **14 Years**

[21] Appl. No.: **667,802**

[22] Filed: **Mar. 17, 1976**

[51] Int. Cl. **D15-05**

[52] U.S. Cl. **D15/52**

[58] Field of Search **D15/52, 53, 54, 55, D15/62; 15/323, 324, 325, 326, 327 R, 327 D, 327 E, 347, 354, 412**

[56] **References Cited**

U.S. PATENT DOCUMENTS

D. 243,944	4/1977	Zijlstra	D15/52
3,614,860	10/1971	Grellsson	15/347 X
3,866,263	2/1975	Crouser et al.	15/327 E X
3,873,285	3/1975	Allen	15/327 E X

Primary Examiner—Wallace R. Burke
Assistant Examiner—Catherine E. Kemper
Attorney, Agent, or Firm—Richard C. Sughrue

[57] **CLAIM**

The ornamental design for a vacuum cleaner, as shown.

DESCRIPTION

FIG. 1 is a front, top and right side perspective view of a vacuum cleaner showing our new design;
FIG. 2 is a rear, bottom and left side perspective view; and
FIG. 3 is a right side elevational view thereof.

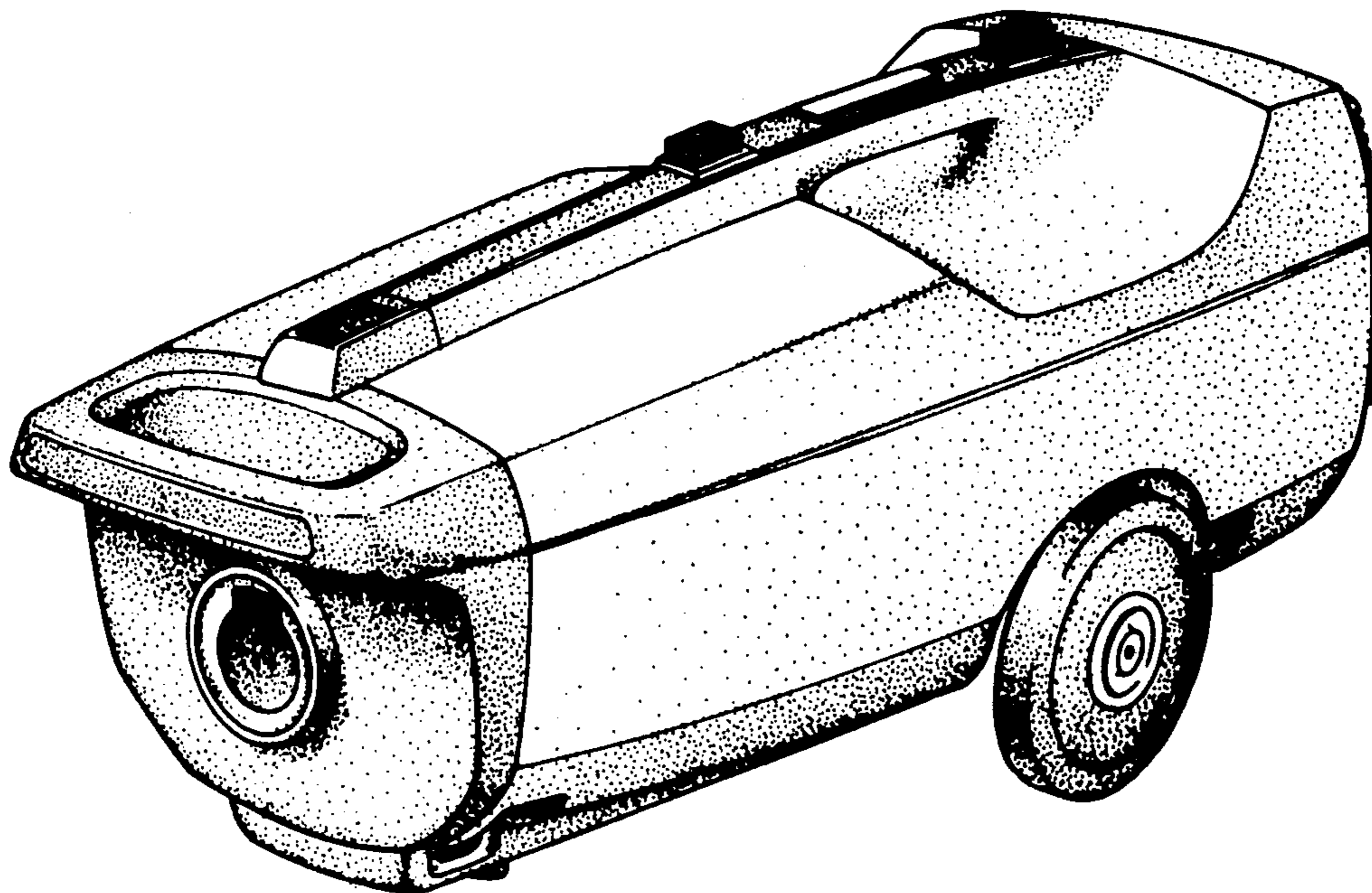


FIG. 1

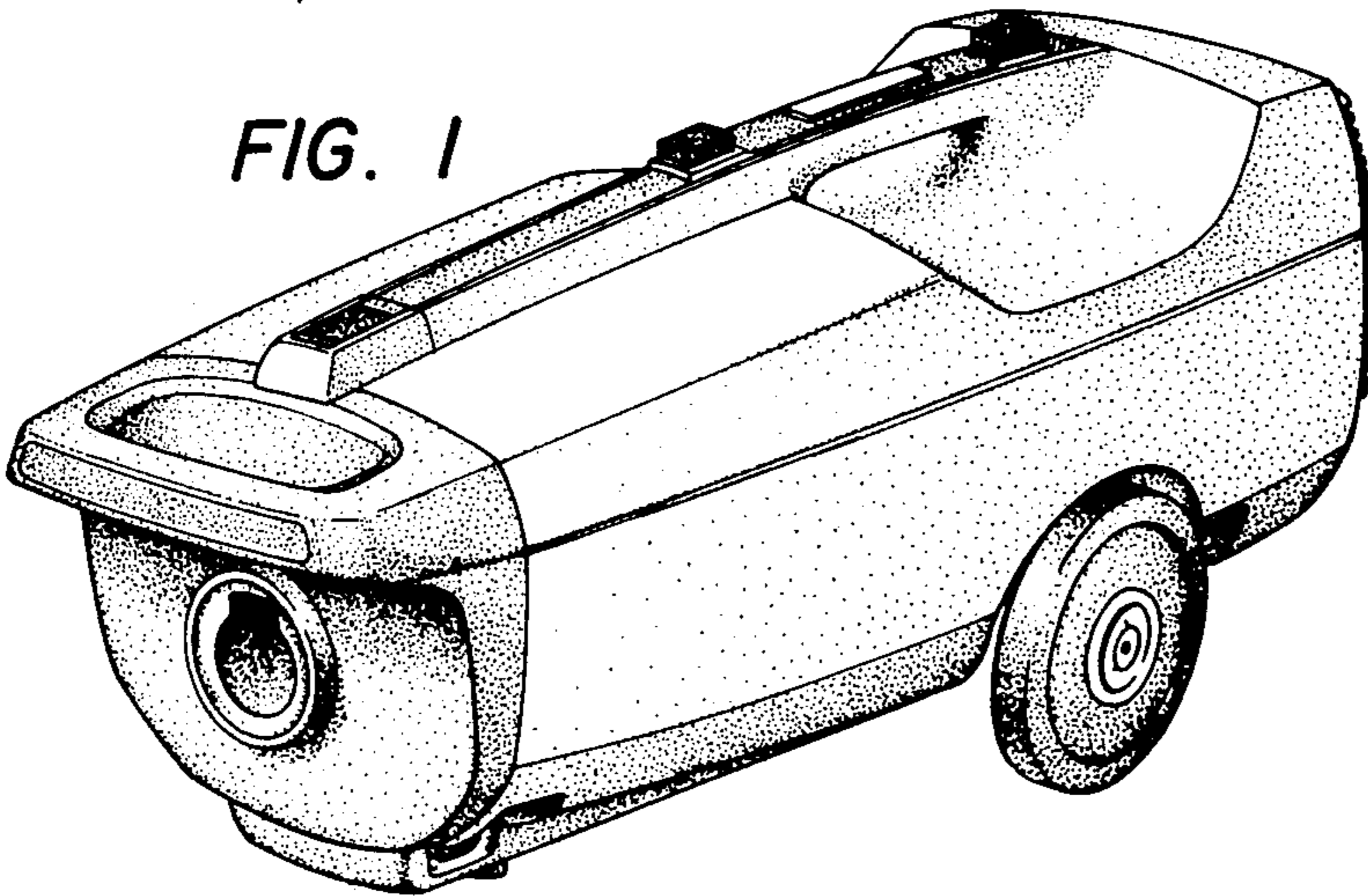


FIG. 2

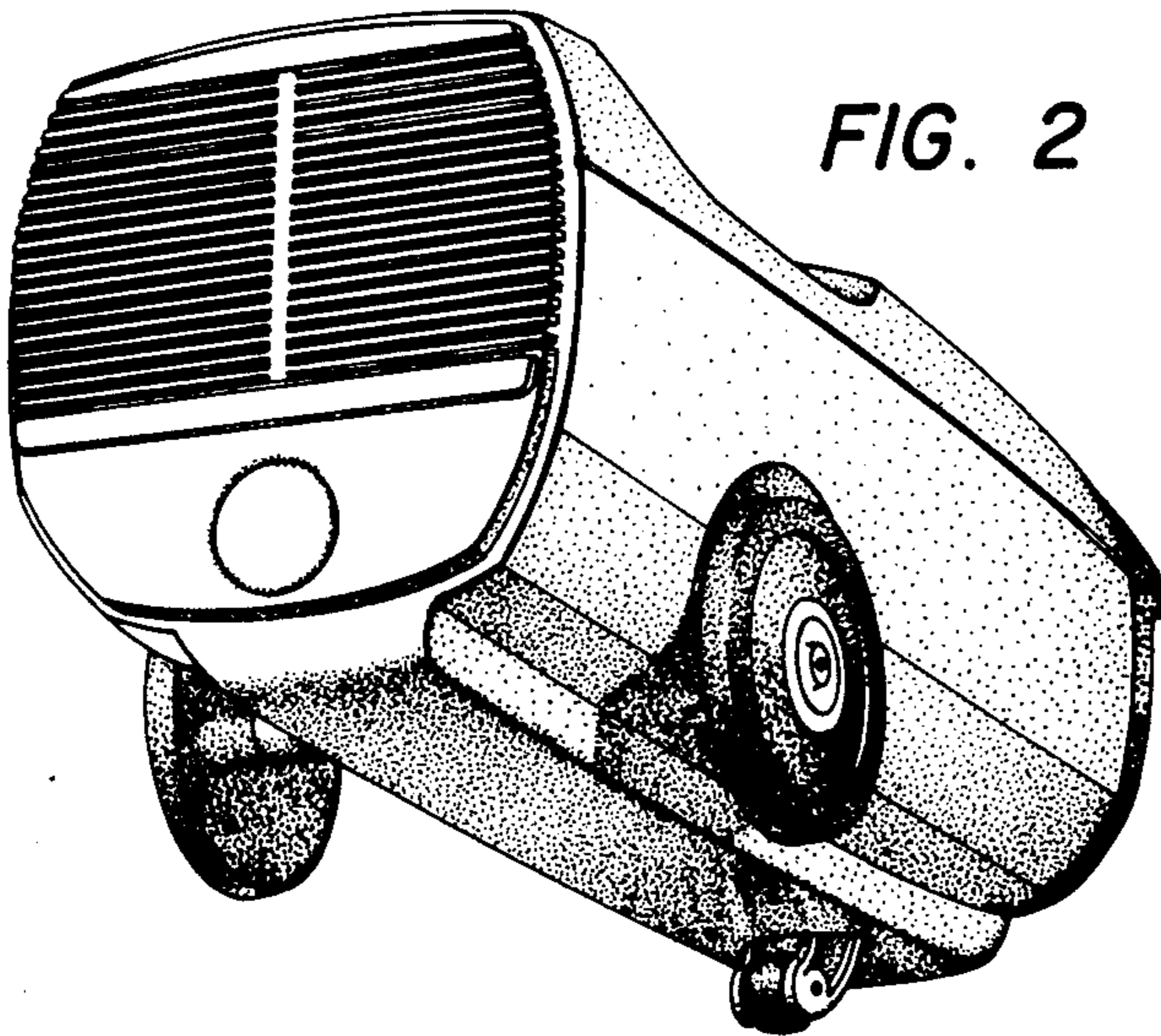


FIG. 3

