

[54] MICROPHONE MOUNT

[75] Inventors: Ivan Ray Cox; Donald Gene Reynolds, both of Speedway, Ind.

[73] Assignee: Rayden Enterprises, Inc.

[\*\*] Term: 14 Years

[21] Appl. No.: 772,741

[22] Filed: Feb. 28, 1977

[51] Int. Cl. .... D14-03; D14-99

[52] U.S. Cl. .... D14/13

[58] Field of Search ..... 179/146 R; D14/13; D6/115, 116, 125

[56] References Cited

U.S. PATENT DOCUMENTS

D. 179,540	1/1957	Knechtsbeger .....	D14/13
2,644,858	7/1953	Small .....	179/146 R
3,482,026	12/1969	Babicky .....	179/146 R UX
3,665,490	5/1972	Oskar .....	179/146 R
3,947,646	3/1976	Saito .....	179/146 R

Primary Examiner—Bernard Ansher

Attorney, Agent, or Firm—Harold R. Woodard

[57] CLAIM

The ornamental design for a microphone mount, as shown and described.

DESCRIPTION

FIG. 1 is a perspective view of a microphone mount showing our new design; the broken lines are shown for illustrative purposes only;

FIG. 2 is a front elevation thereof;

FIG. 3 is a rear elevation thereof;

FIG. 4 is a top plan view thereof;

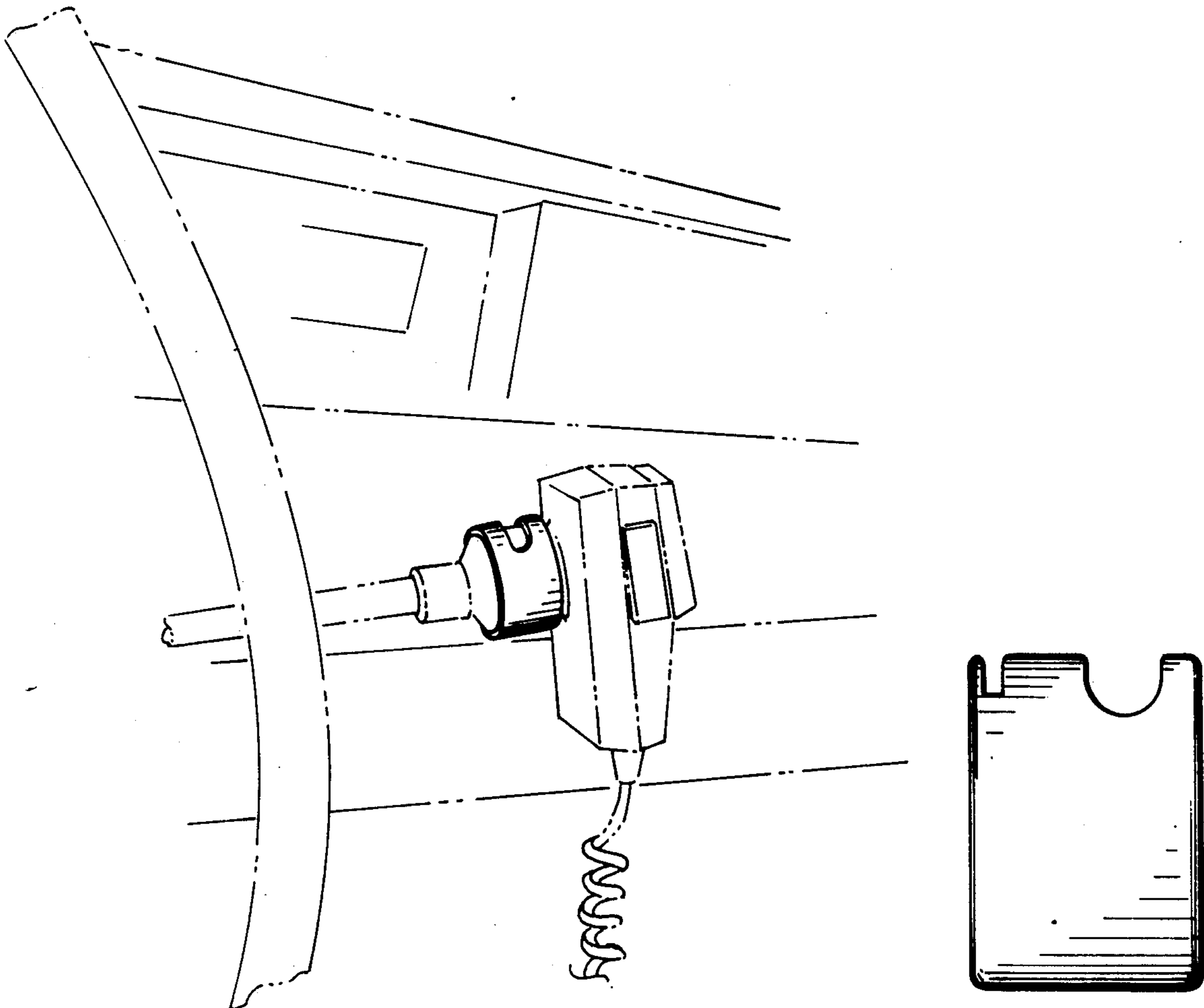
FIG. 5 is a right side elevation thereof;

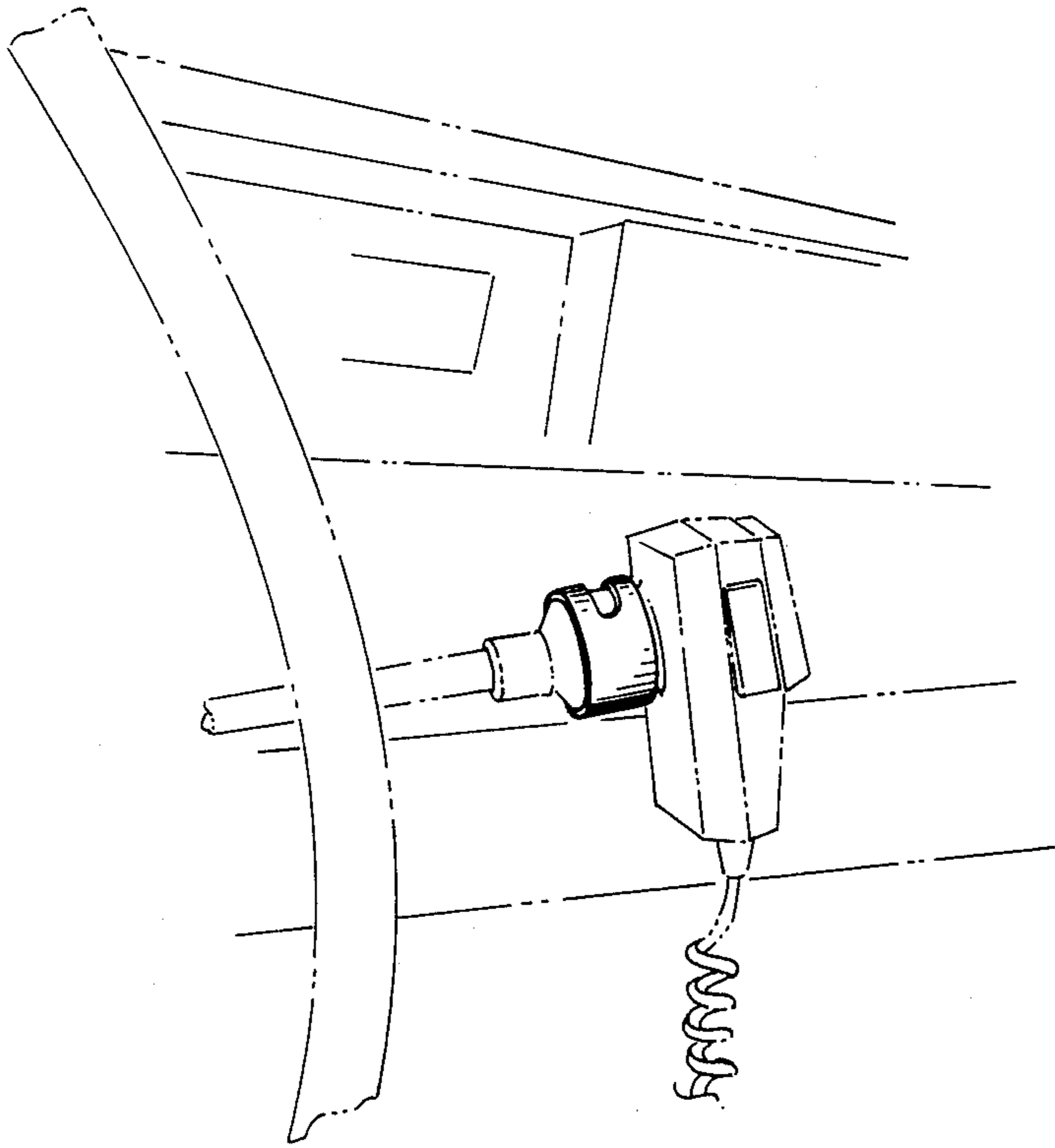
FIG. 6 is a bottom plan view thereof; and

FIG. 7 is a cross section taken on line 7—7 of FIG. 2.

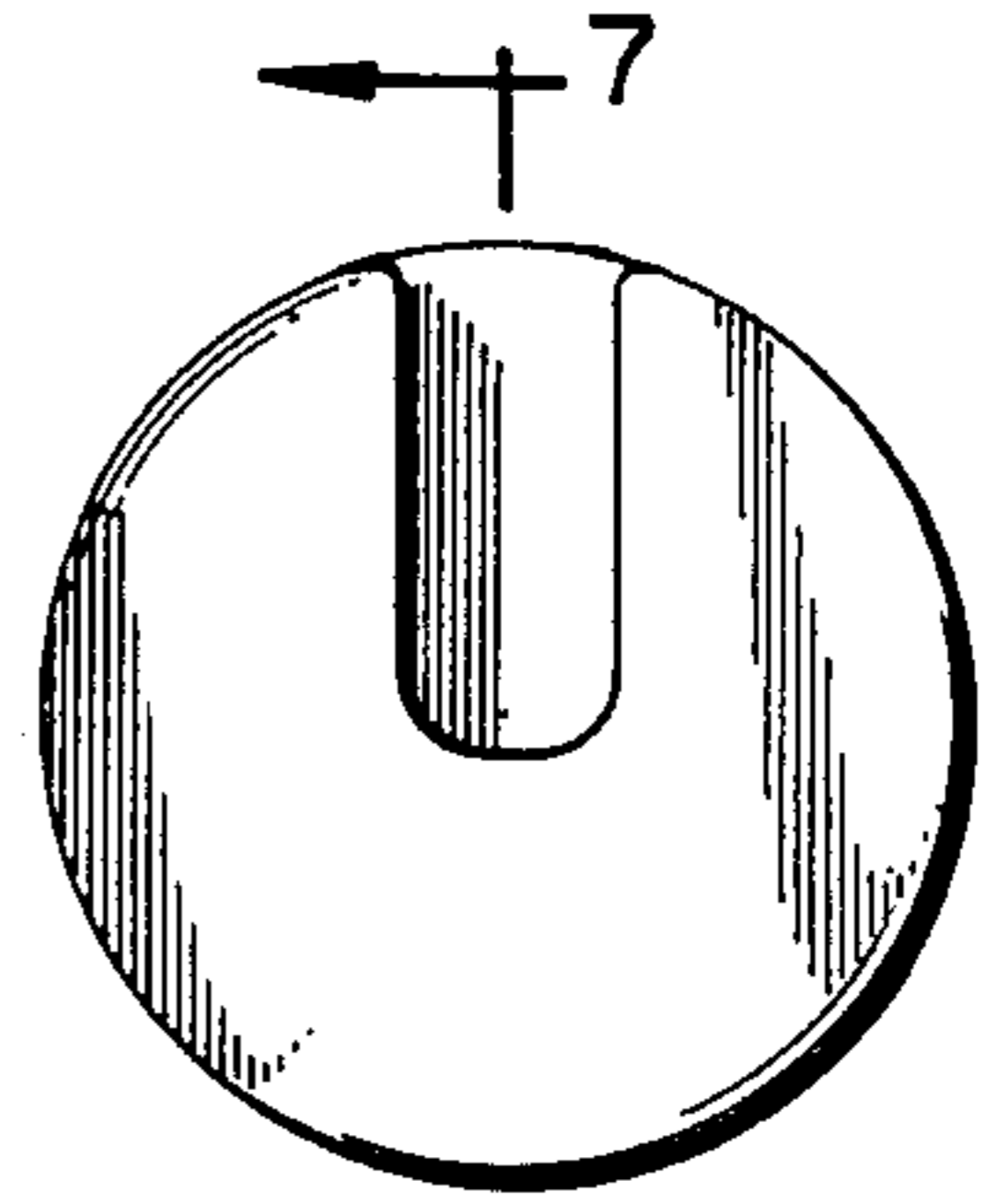
The appearance of the left side is a mirror image of the appearance of the right side shown in FIG. 5.

The internal slot behind the U-shaped slot of FIG. 2 is also U-shaped as indicated in FIGS. 4 and 7, but its U-shaped appearance is not readily perceptible upon observation of the exterior of the MICROPHONE MOUNT, so the U-shape thereof is not considered an important feature of the design.

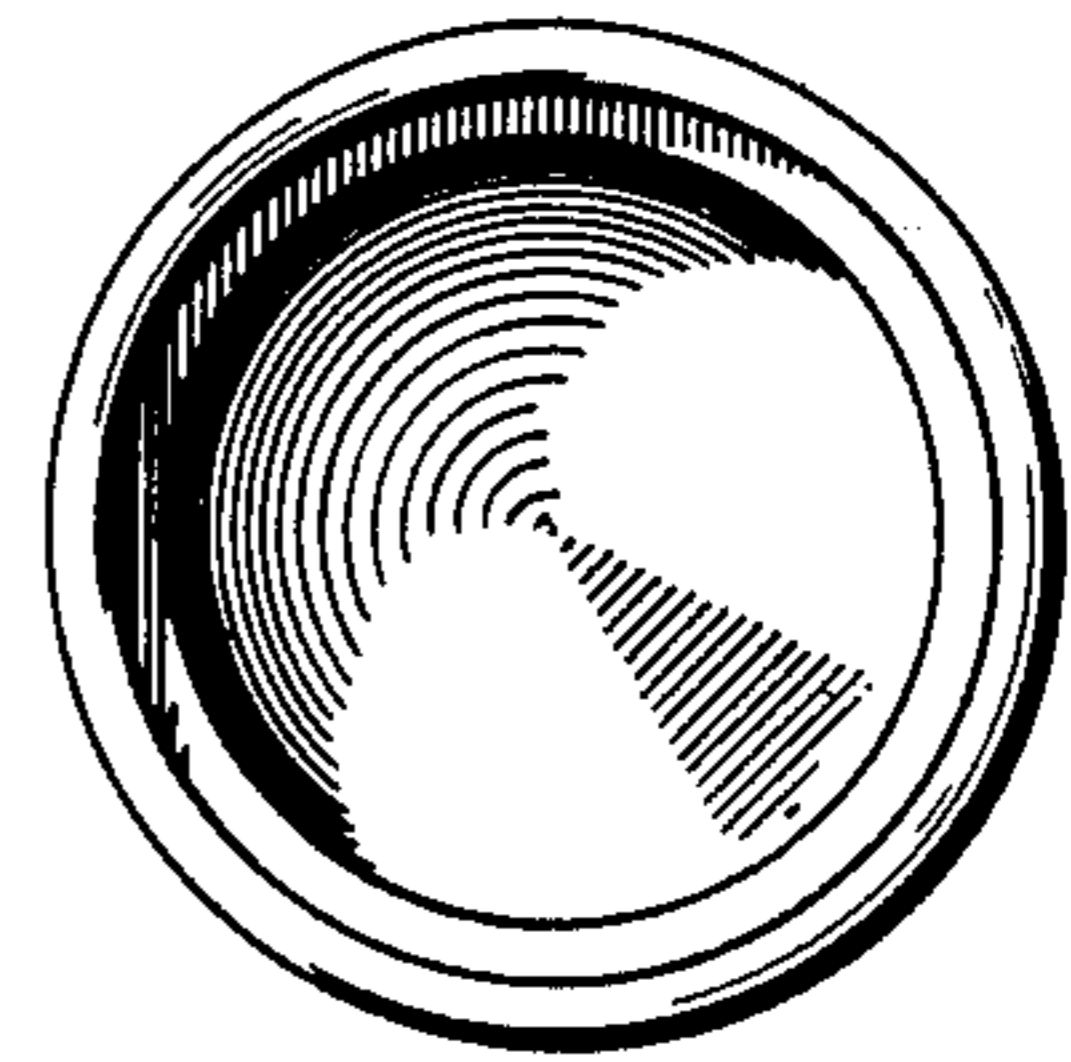




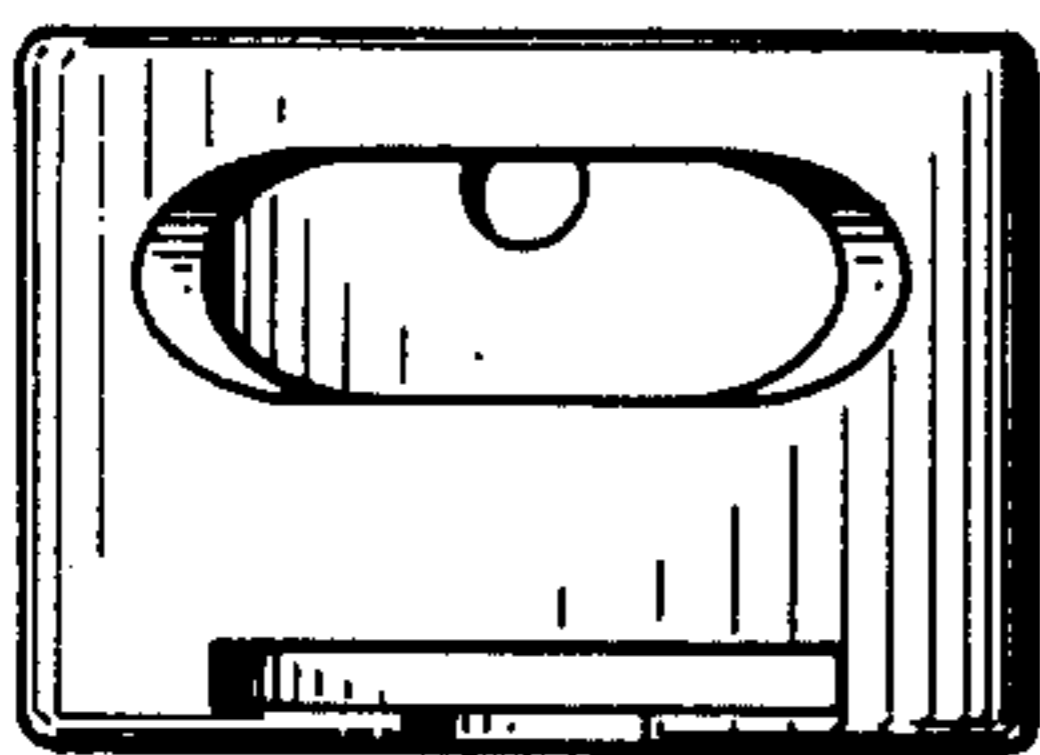
*Fig. 1*



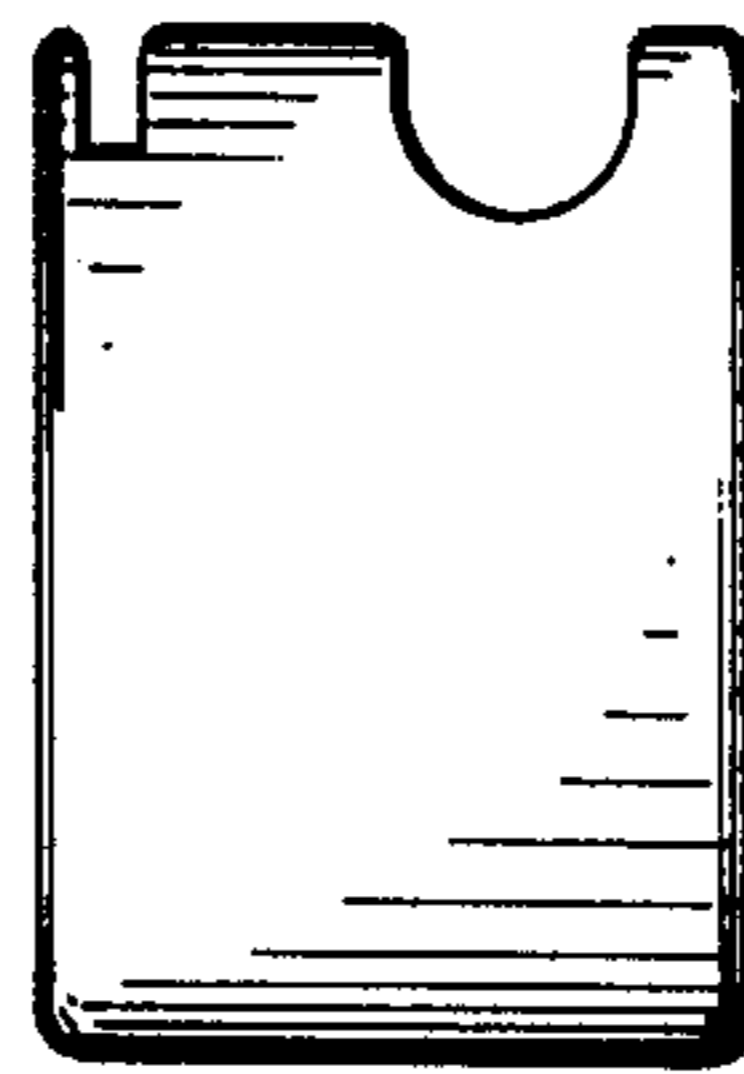
*Fig. 2*



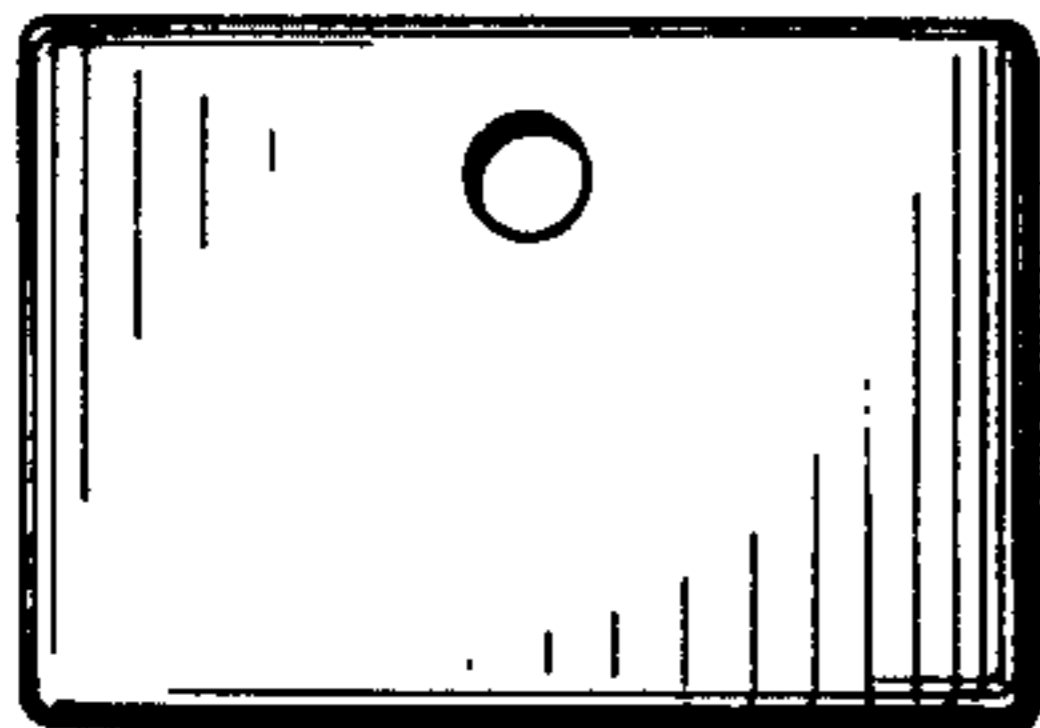
*Fig. 3*



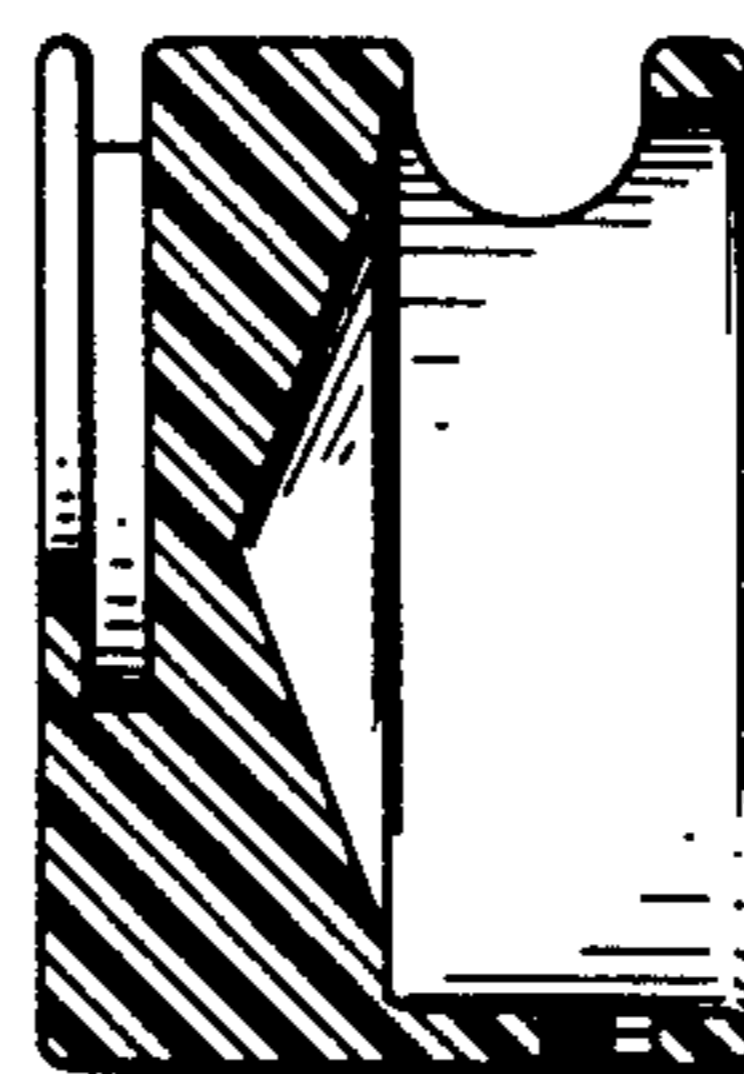
*Fig. 4*



*Fig. 5*



*Fig. 6*



*Fig. 7*