

[54] ARTICLE OF FLATWARE

[75] Inventor: Milton Gonshorek, Meriden, Conn.

[73] Assignee: International Silver Company, Meriden, Conn.

[\*\*] Term: 14 Years

[21] Appl. No.: 571,685

[22] Filed: Apr. 25, 1975

[51] Int. Cl. .... D7-03

[52] U.S. Cl. .... D7/137

[58] Field of Search ..... D7/137-152

[56] References Cited

U.S. PATENT DOCUMENTS

D. 58,779	8/1921	Licket .....	D7/151
D. 83,786	3/1931	Blake .....	D7/137
D. 183,865	11/1958	Stephensen .....	D7/137
2,651,927	9/1953	Mullins .....	D7/142 X

OTHER PUBLICATIONS

Gifts & Decorative Accessories, Feb. 1965, p. 26, "Cora" by Lauffer Stainless.

H. Nils Danish Silver, rec'd. 6-1958, p. 5, "Bell".

H. Nils Danish Silver, rec'd. 6-1958, p. 6, "Cardinal".

Primary Examiner—Winifred E. Hermann

Attorney, Agent, or Firm—Dayton R. Stemple, Jr.

[57] CLAIM

The ornamental design for an article of flatware, as shown and described.

DESCRIPTION

FIG. 1 is a front elevational view of an article of flatware showing my new design as embodied in a fork; FIG. 2 is a side elevational view thereof from the right of FIG. 1;

FIG. 3 is a cross-sectional view taken on line 3—3 of FIG. 1;

FIG. 4 is a cross-sectional view taken on line 4—4 of FIG. 1;

FIG. 5 is a cross-sectional view taken on line 5—5 of FIG. 1;

FIG. 6 is an end view from the bottom of FIG. 1;

FIG. 7 is a perspective view of an article of flatware showing my new design as embodied in a spoon;

FIG. 8 is a front elevational view of an article of flatware showing my new design as embodied in a knife;

FIG. 9 is a cross-sectional view taken on the line 9—9 of FIG. 8;

FIG. 10 is a cross-sectional view taken on line 10—10 of FIG. 8;

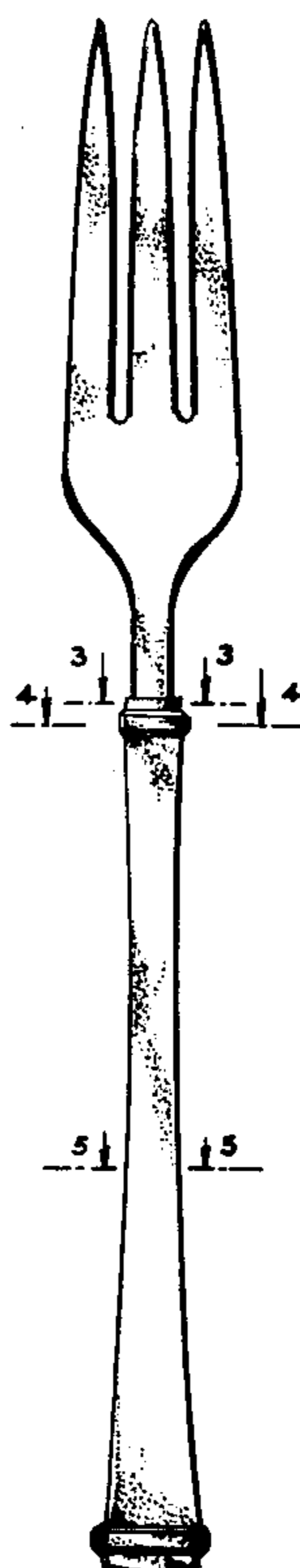
FIG. 11 is a cross-sectional view taken on line 11—11 of FIG. 8;

FIG. 12 is a cross-sectional view taken on line 12—12 of FIG. 8;

FIG. 13 is an end view from the bottom of FIG. 8; and, FIG. 14 is a side elevational view from the left of FIG. 8.

The sides opposite the handle portions shown in FIGS. 1, 2, 7, 8 and 14 are mirror images of the respective shown sides.

The distinguishing feature of my new design for an article of flatware resides in the handle configuration.



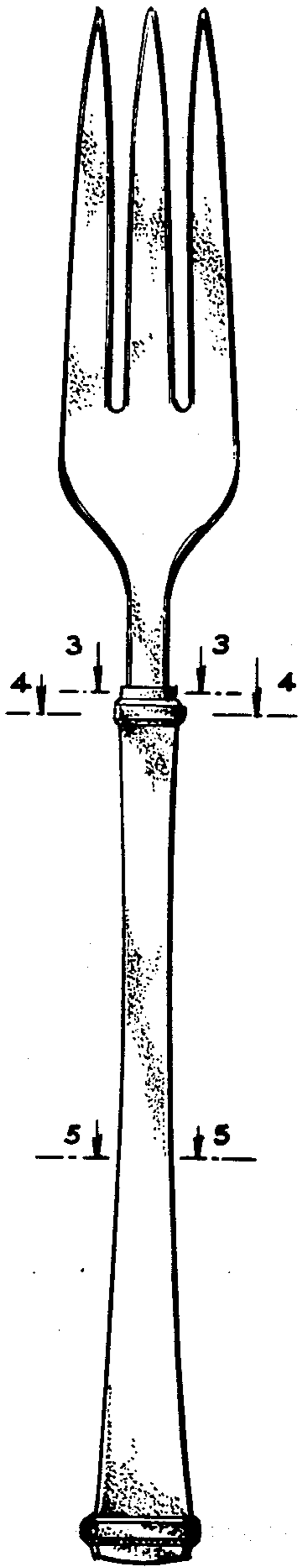


FIG. 1

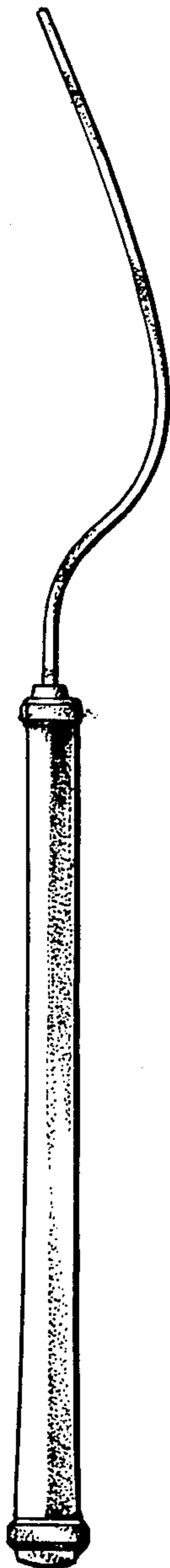


FIG. 2



FIG. 3



FIG. 4



FIG. 5



FIG. 6

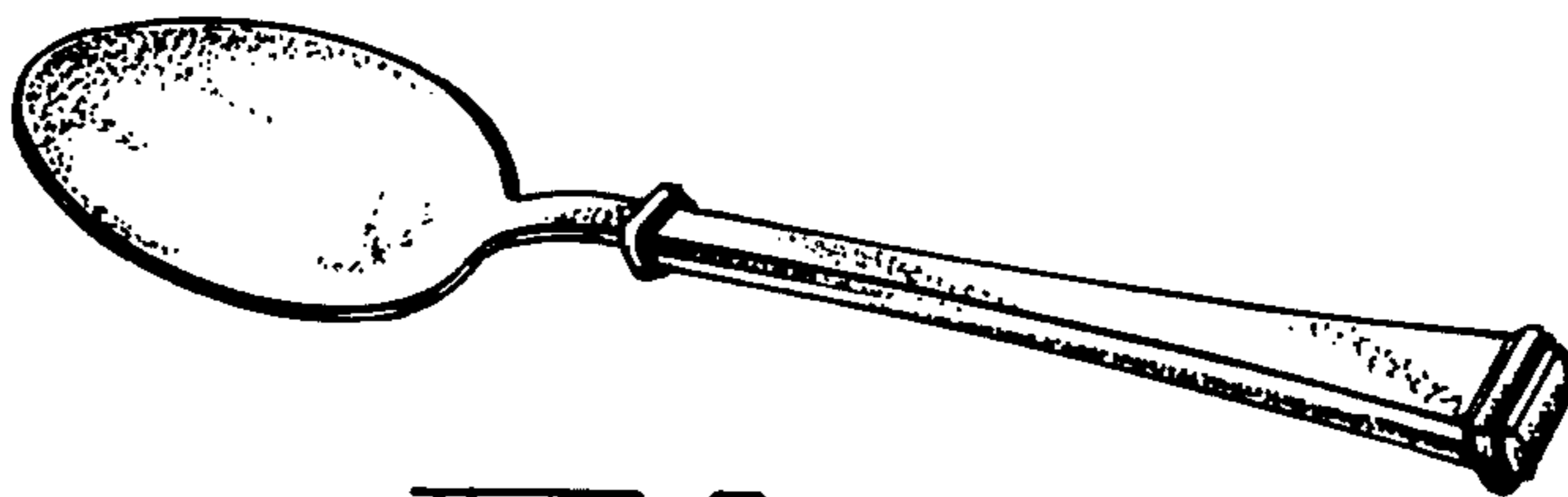


FIG. 7

