

[54] HANGER SUPPORT FOR DISPLAY RACKS

[75] Inventor: David C. F. Stoddard, Atlanta, Ga.

[73] Assignee: Abrams Fixture Corporation, Atlanta, Ga.

[**] Term: 14 Years

[21] Appl. No.: 705,360

[22] Filed: July 15, 1976

[51] Int. Cl. D6-06; D20-02

[52] U.S. Cl. D6/257

[58] Field of Search D6/85, 94, 113, 114, D6/116, 117, 118, 247, 250-257, 191, 125; 223/85, 87, 88, 91, 92, 93, 95, 96; 211/113

[56] References Cited

U.S. PATENT DOCUMENTS

| | | | | |
|------------|---------|------------------|-------|----------|
| D. 190,429 | 5/1961 | Hoagland | | D6/125 |
| D. 218,771 | 9/1970 | Harris | | D6/125 |
| D. 237,766 | 11/1975 | Doglioth | | D6/188 |
| 1,243,741 | 10/1917 | Jakab | | 223/91 |
| 2,912,149 | 11/1959 | Stuard | | 223/92 |
| 2,916,158 | 12/1959 | Vosbikian et al. | | D6/116 |
| 3,070,269 | 12/1962 | Zuckerman | | 223/95 |
| 3,581,347 | 6/1971 | Vespieren | | 248/74 B |
| 4,004,501 | 1/1977 | Guerrero | | 99/426 |

FOREIGN PATENT DOCUMENTS

114,130 1/1941 Australia 223/88

Primary Examiner—Wallace R. Burke

Assistant Examiner—B. J. Bullock

Attorney, Agent, or Firm—Edward Taylor Newton

[57] CLAIM

The ornamental design for a hanger support for display racks, as shown and described.

DESCRIPTION

FIG. 1 is a perspective view of a hanger support for display racks showing my new design, the broken line showing of a supporting structure is for illustrative purposes only;

FIG. 2 is a bottom plan view of FIG. 1;

FIG. 3 is a top plan view of FIG. 1;

FIG. 4 is a side elevational view of FIG. 1;

FIG. 5 is an end elevational view of FIG. 1;

FIG. 6 is a perspective view of a second embodiment of the design of FIG. 1;

FIG. 7 is a bottom plan view of FIG. 6;

FIG. 8 is a top plan view of FIG. 6;

FIG. 9 is a side elevational view of FIG. 6;

FIG. 10 is an end elevational view of FIG. 6;

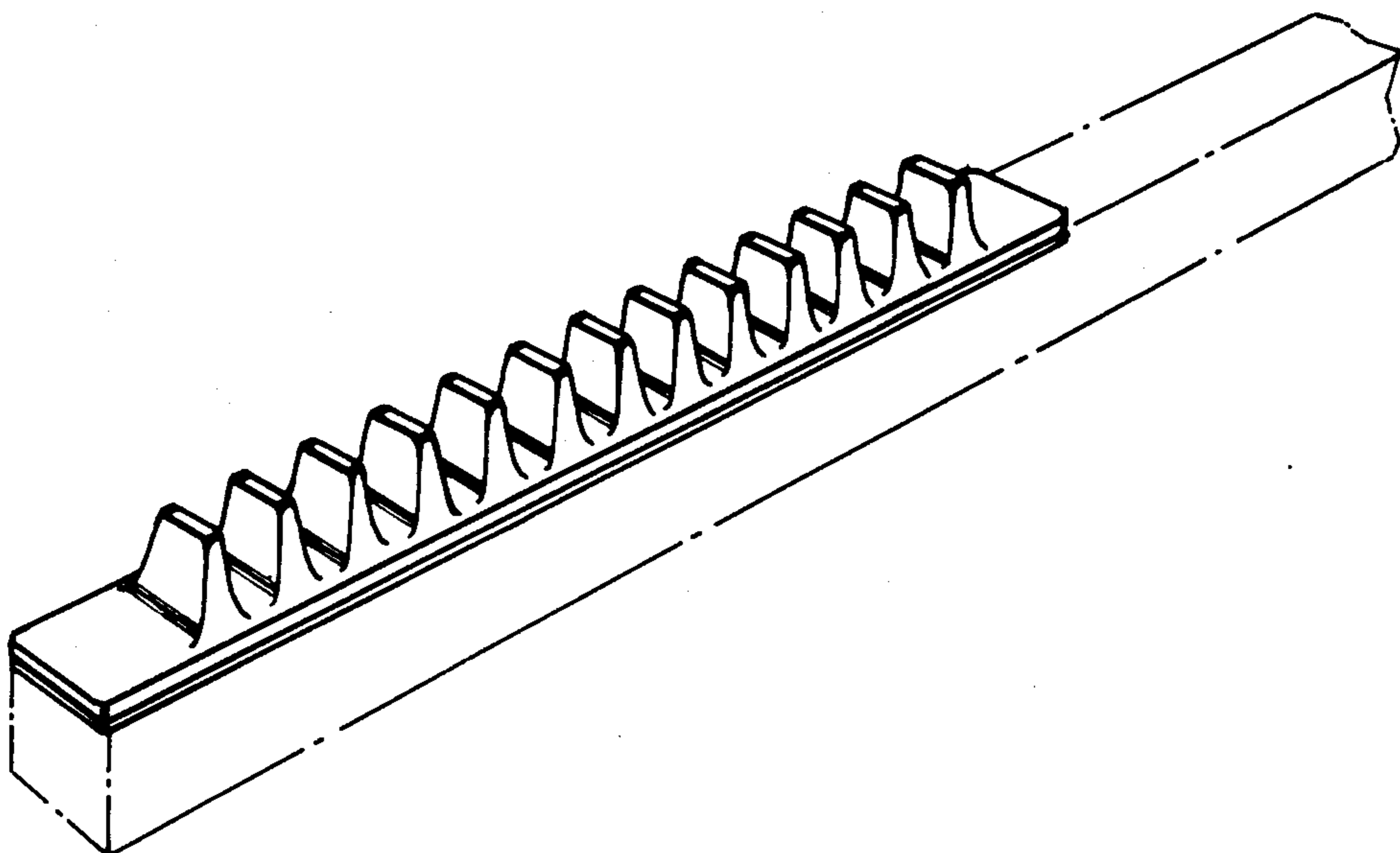
FIG. 11 is a perspective view of a third embodiment of the design of FIG. 1;

FIG. 12 is a bottom plan view of FIG. 11;

FIG. 13 is a top plan view of FIG. 11;

FIG. 14 is a side elevational view of FIG. 11;

FIG. 15 is an end elevational view of FIG. 11.



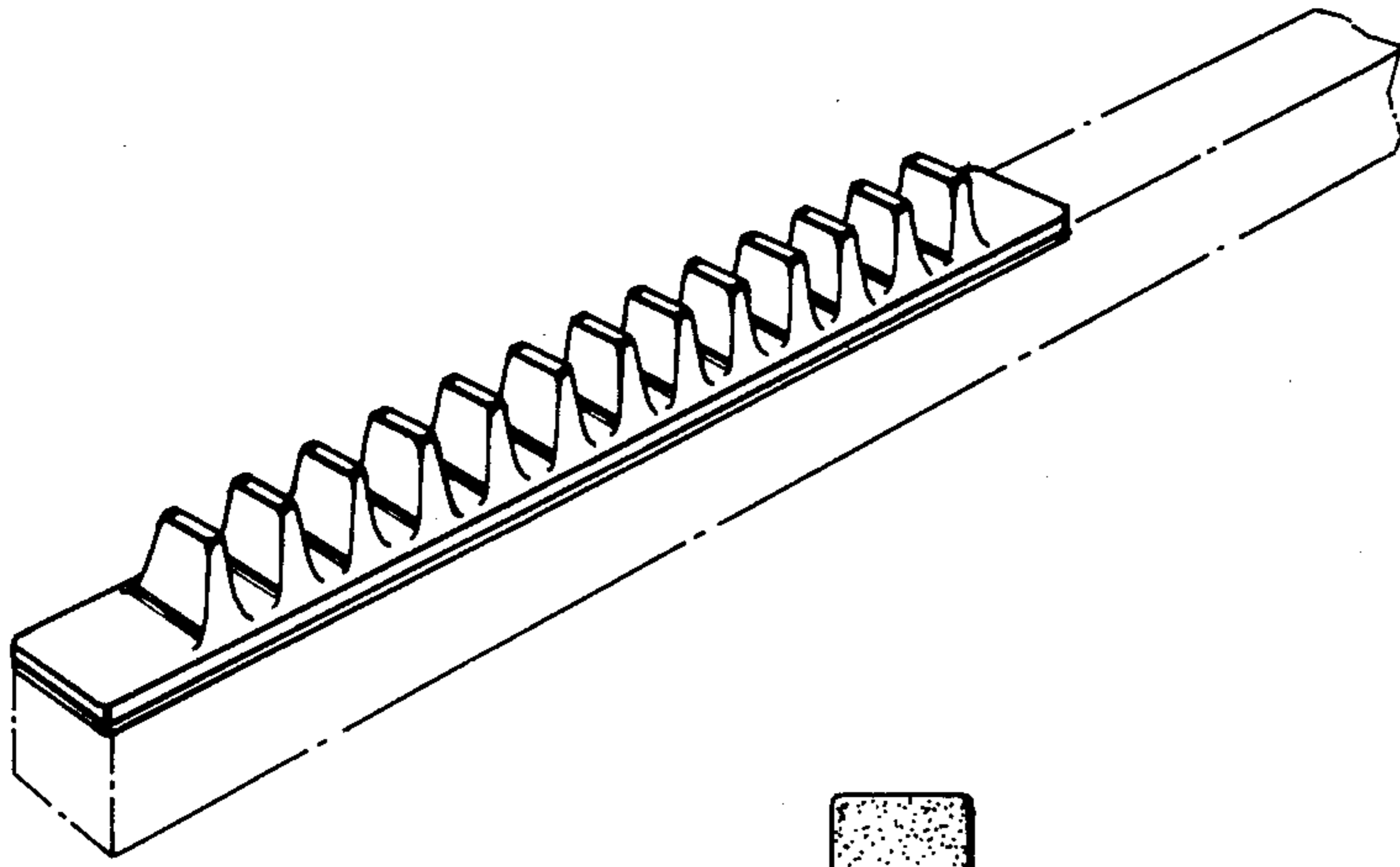


FIG 1



FIG 2



FIG 3



FIG 4



FIG 5

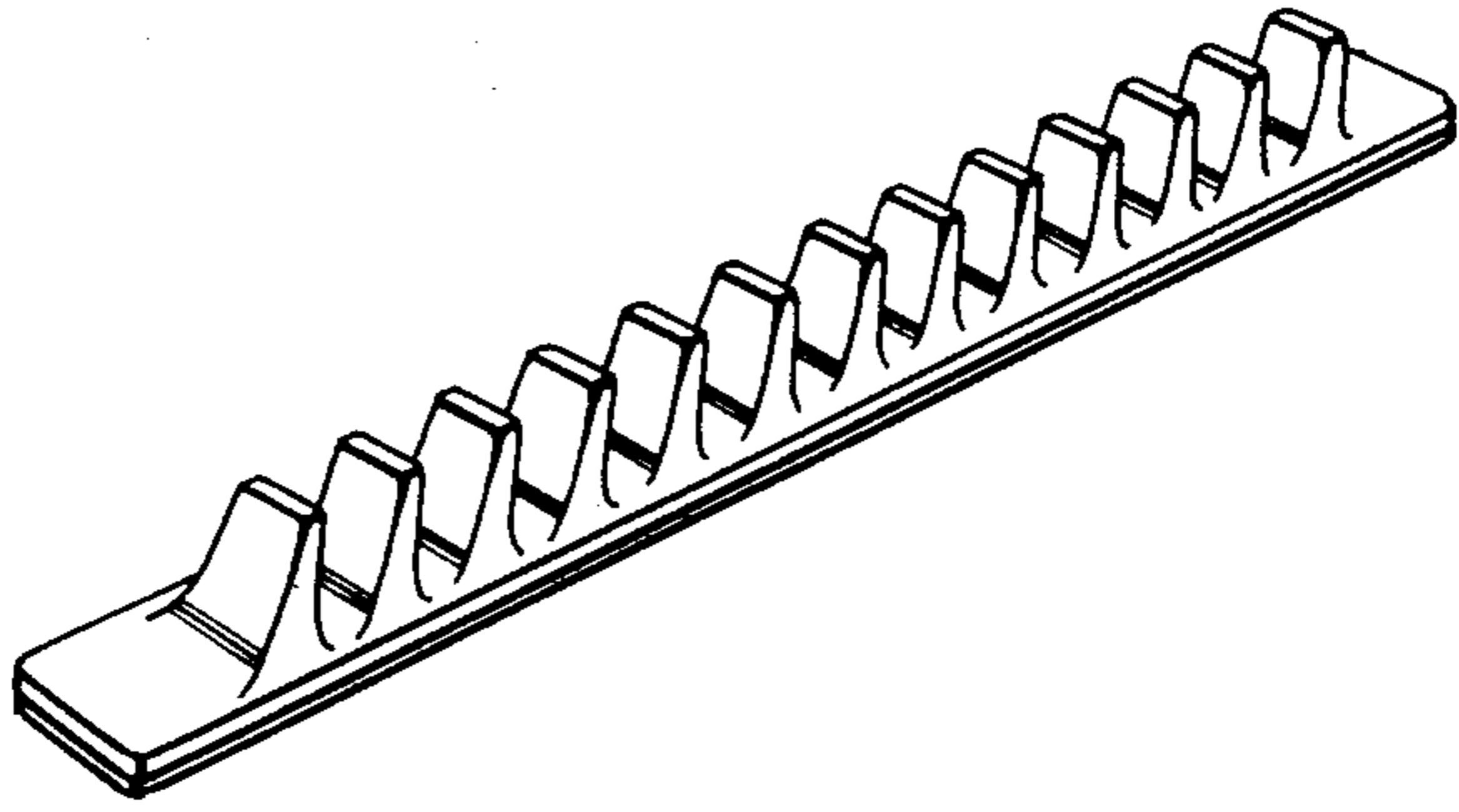


FIG 6

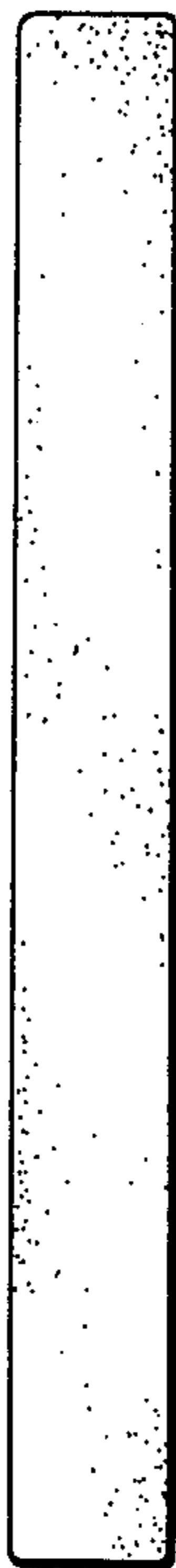


FIG 7

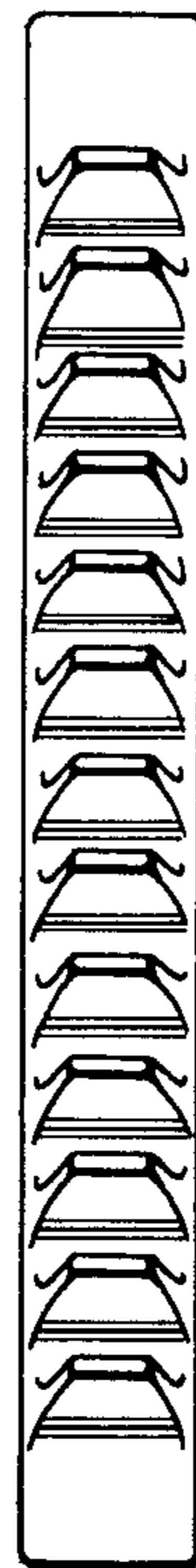


FIG 8



FIG 9



FIG 10

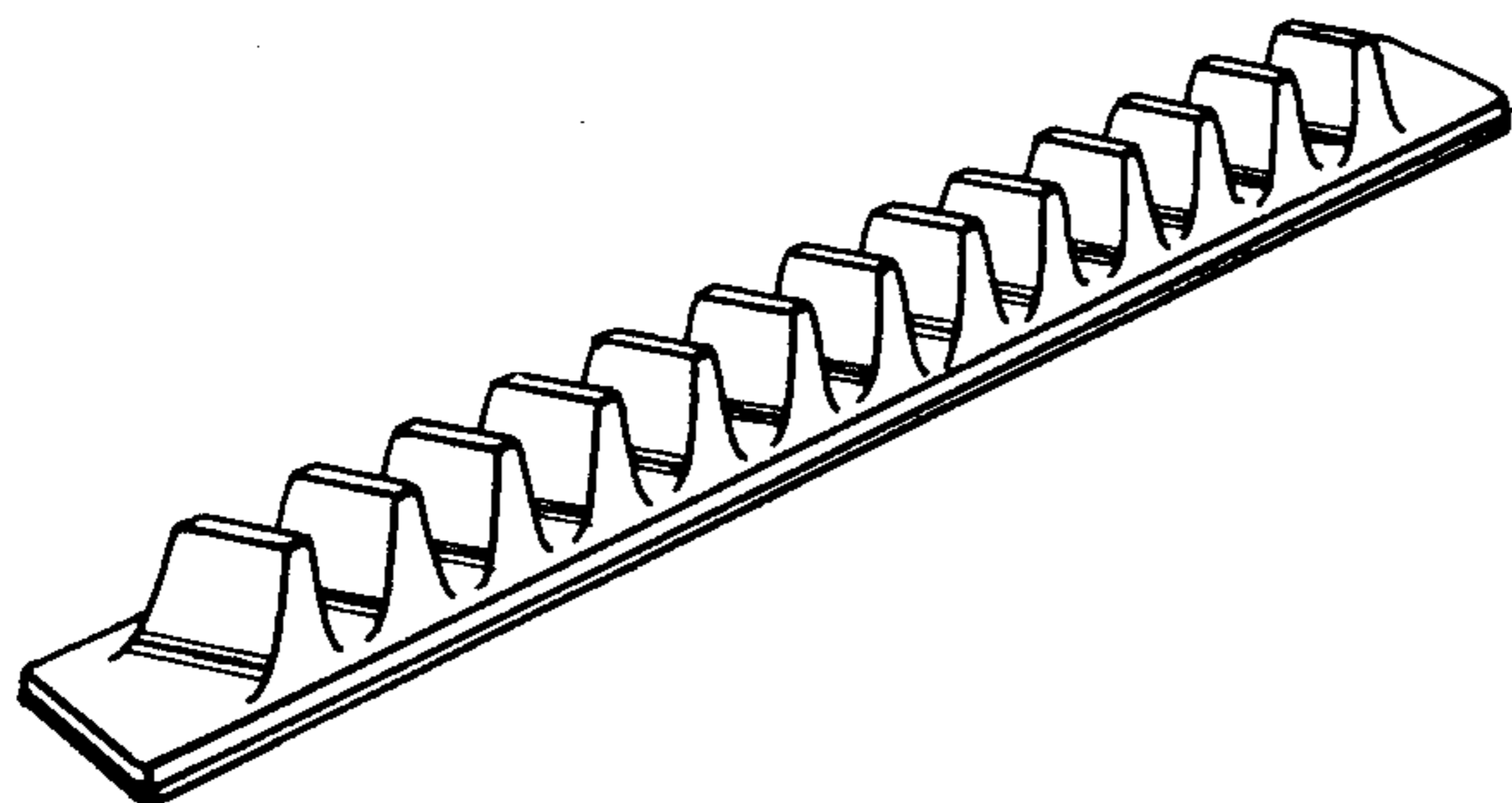


FIG 11

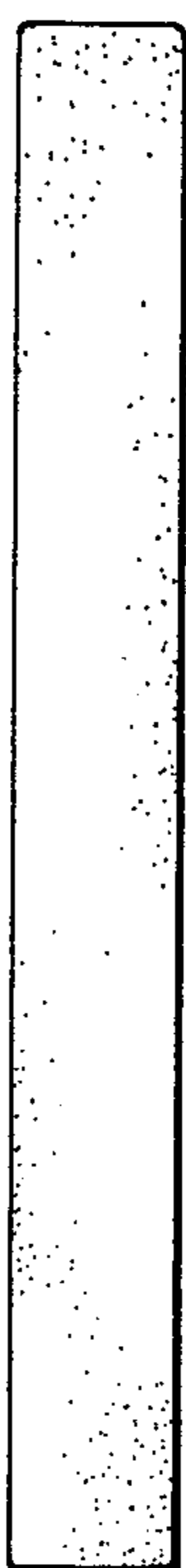


FIG 12



FIG 13



FIG 14



FIG 15