

[54] COMBINED VANITY SKIRT AND TISSUE DISPENSER

[75] Inventor: George S. Gruber, Hidden Hills, Calif.

[73] Assignee: Dimensionetix, Inc., North Hollywood, Calif.

[\*\*] Term: 14 Years

[21] Appl. No.: 748,645

[22] Filed: Dec. 8, 1976

[51] Int. Cl. .... D6-06

[52] U.S. Cl. .... D6/192

[58] Field of Search ..... D6/85, 86, 96-99, D6/114, 115, 127, 130, 132-134, 146, 99, 191-192; 242/55.2, 55.3, 55.53; 221/282; 312/39, 41, 50, 60

[56] References Cited

U.S. PATENT DOCUMENTS

- D. 196,519 10/1963 Rojahn ..... D6/192
- D. 196,807 11/1963 Carveth ..... D6/98

D. 235,044 5/1975 Donner ..... D6/192

OTHER PUBLICATIONS

Sweet's Architectural Catalog, File 1973, sec. 10.16/Nv, p. 19, 'Montreal Vanities' Bowl front.

Primary Examiner—Wallace R. Burke

Assistant Examiner—B. J. Bullock

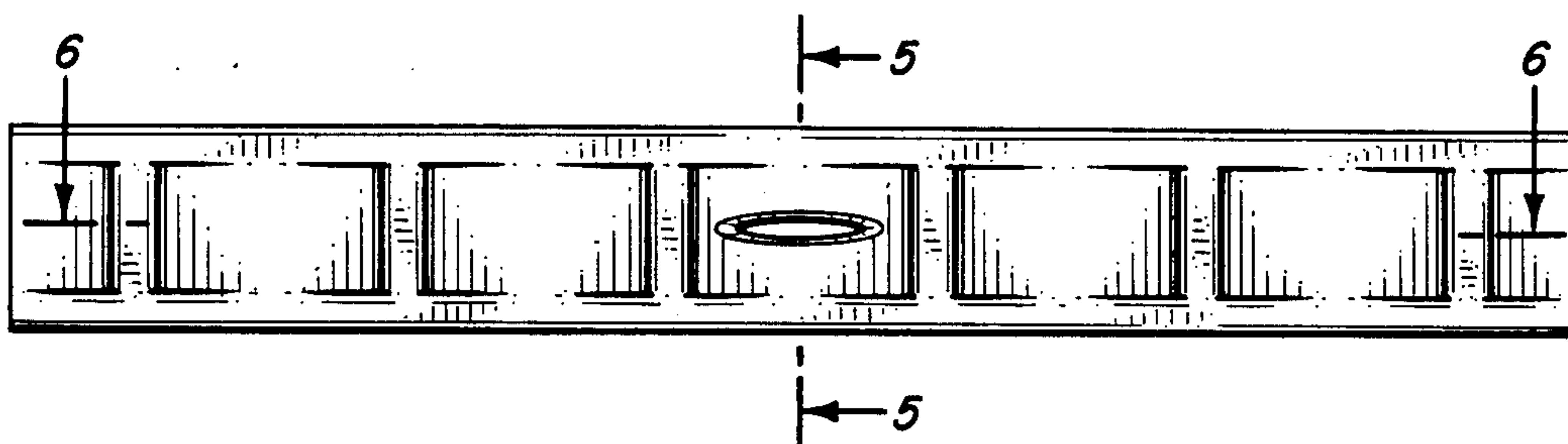
Attorney, Agent, or Firm—Robert E. Geauque

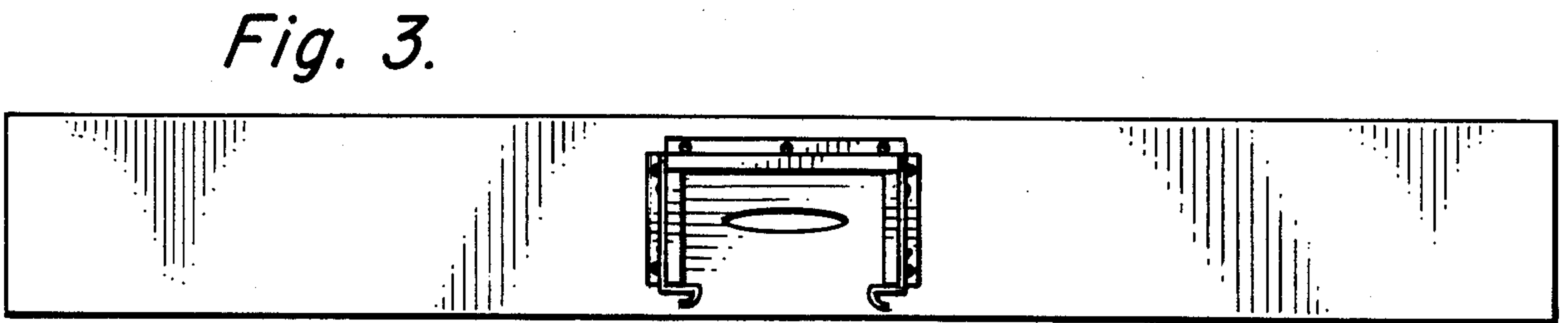
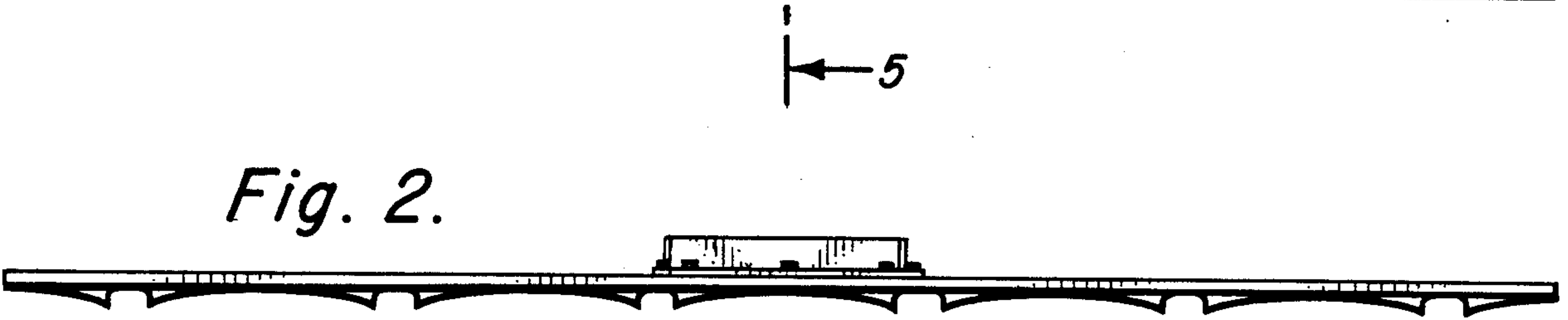
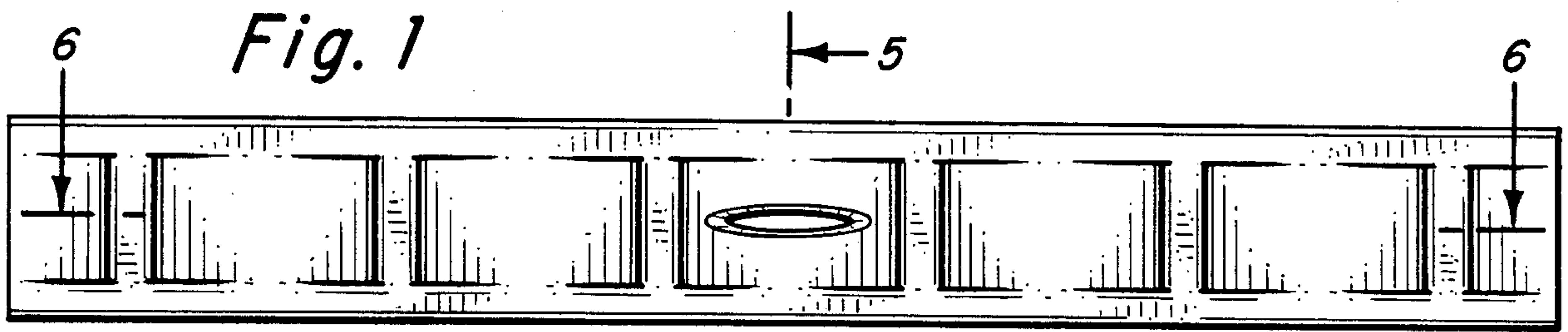
[57] CLAIM

The ornamental design for a combined vanity skirt and tissue dispenser, substantially as shown.

DESCRIPTION

FIG. 1 is a front elevational view of the combined vanity skirt and tissue dispenser showing my new design; FIG. 2 is a top plan view thereof; FIG. 3 is a rear elevational view thereof; FIG. 4 is a side elevational view from one side thereof, the other side being a mirror image; FIG. 5 is a vertical section along line 5—5 of FIG. 1; and FIG. 6 is a horizontal section along line 6—6 of FIG. 1.





*Fig. 4.*



*Fig. 5.*



*Fig. 6.*

