

[54] MOBILE DISPLAY RACK

[75] Inventor: Charles L. Davis, Atlanta, Ga.

[73] Assignee: The Coca-Cola Company

[\*\*] Term: 14 Years

[21] Appl. No.: 654,149

[22] Filed: Jan. 30, 1976

[51] Int. Cl. .... D20-02; D12-02

[52] U.S. Cl. .... D6/186

[58] Field of Search ..... D6/85, 186; D12/22, D12/25, 29, 31; D96/12 R, 12 A; 248/129; 280/79.3

[56] References Cited

U.S. PATENT DOCUMENTS

|            |         |           |       |          |
|------------|---------|-----------|-------|----------|
| D. 182,483 | 4/1958  | Skinner   | ..... | D12/29   |
| 1,169,157  | 1/1916  | Honold    | ..... | 280/79.3 |
| 2,637,445  | 5/1953  | Patterson | ..... | 280/79.3 |
| 2,918,295  | 12/1959 | Milner    | ..... | D6/85    |

OTHER PUBLICATIONS

Restaurant Equipment Dealer, 12/1961, p. 5, dolly — model No. 20.

Primary Examiner—Wallace R. Burke

Assistant Examiner—B. J. Bullock

Attorney, Agent, or Firm—William Dexter Brooks

[57] CLAIM

The ornamental design for the mobile display rack, as shown and described.

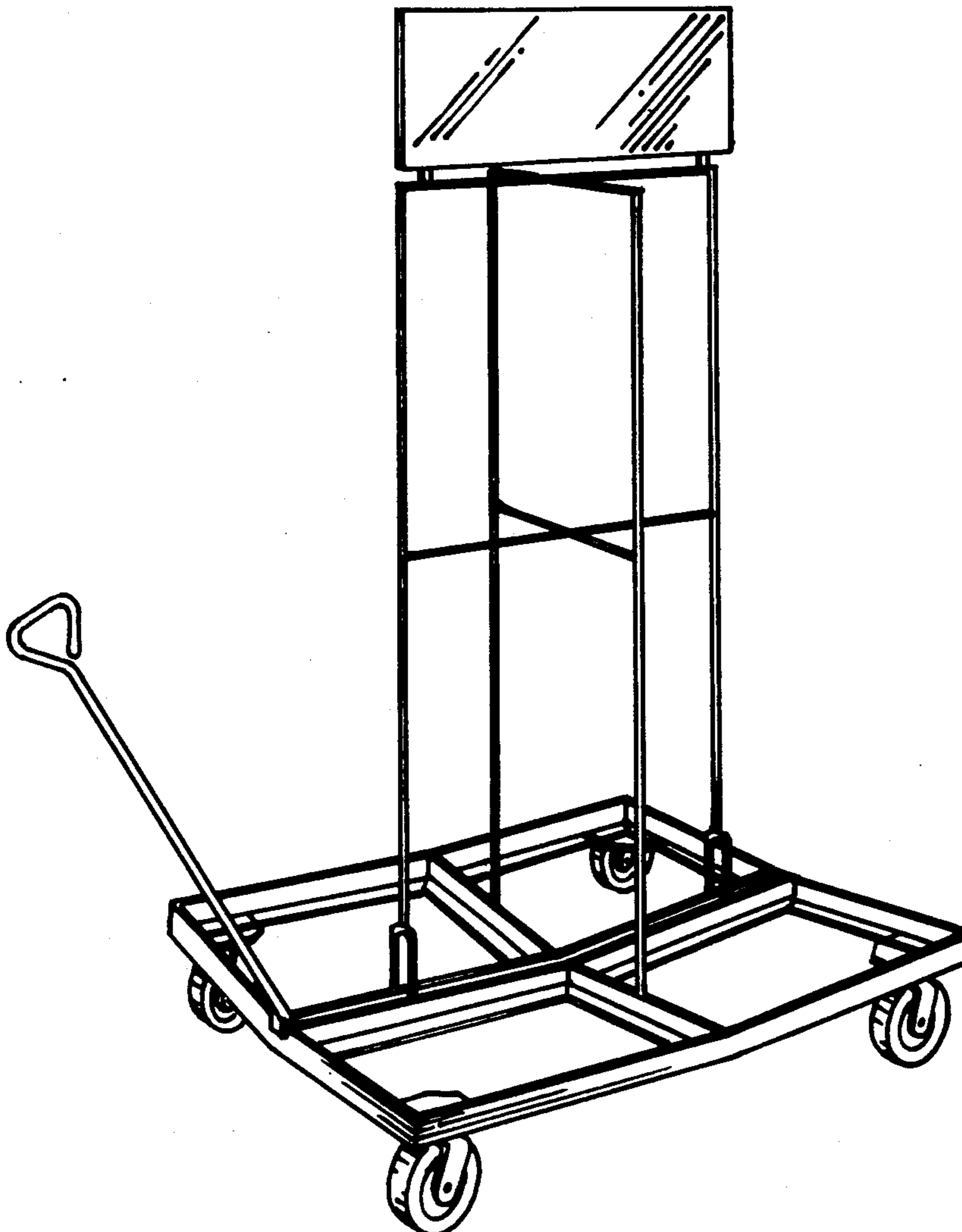
DESCRIPTION

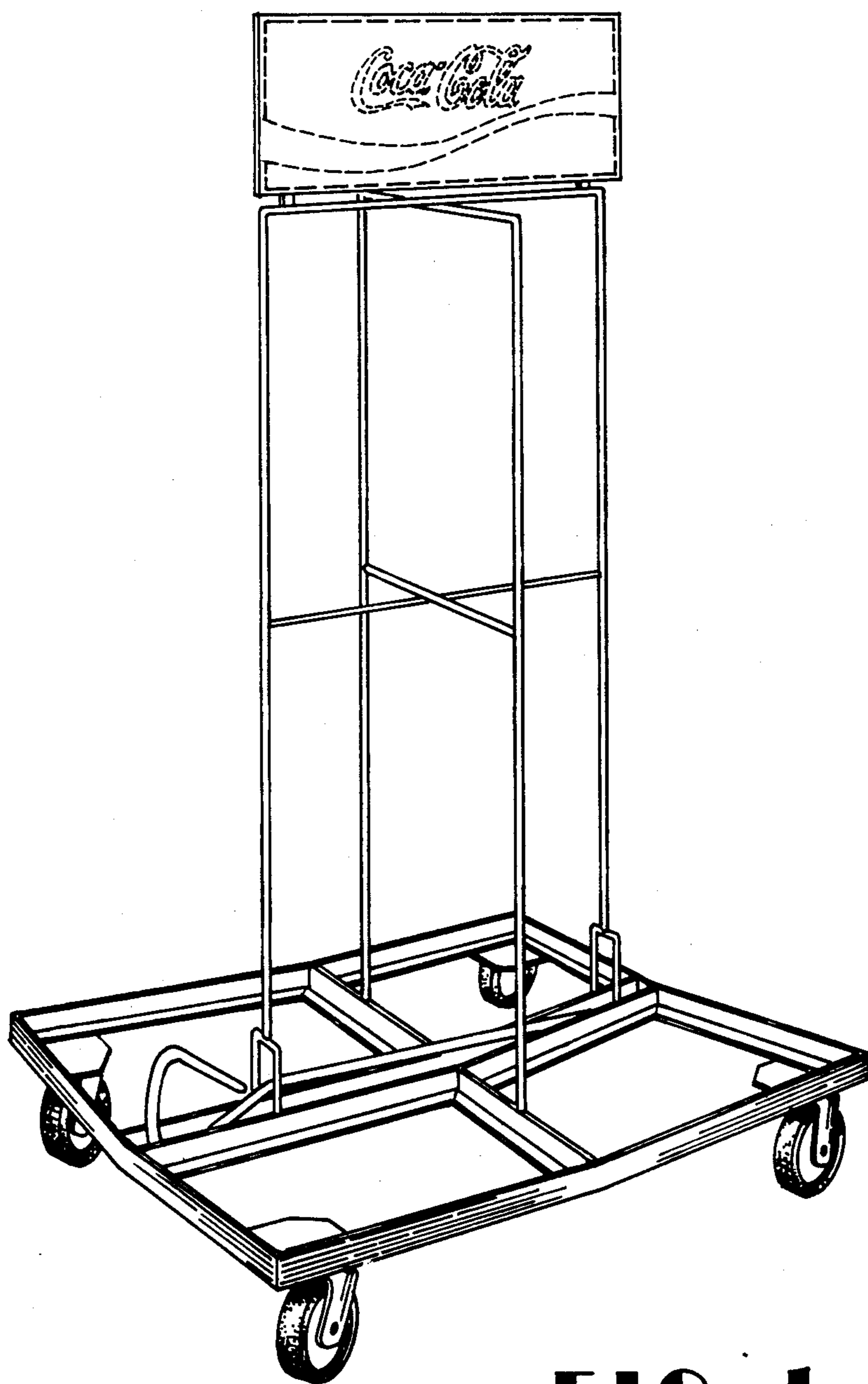
FIG. 1 is an enlarged perspective view of a mobile display rack showing my new design, the indicia shown in broken lines on the upper sign portion of the rack is for illustrative purposes only.

FIG. 2 is a perspective view thereof, with the handle extended for use.

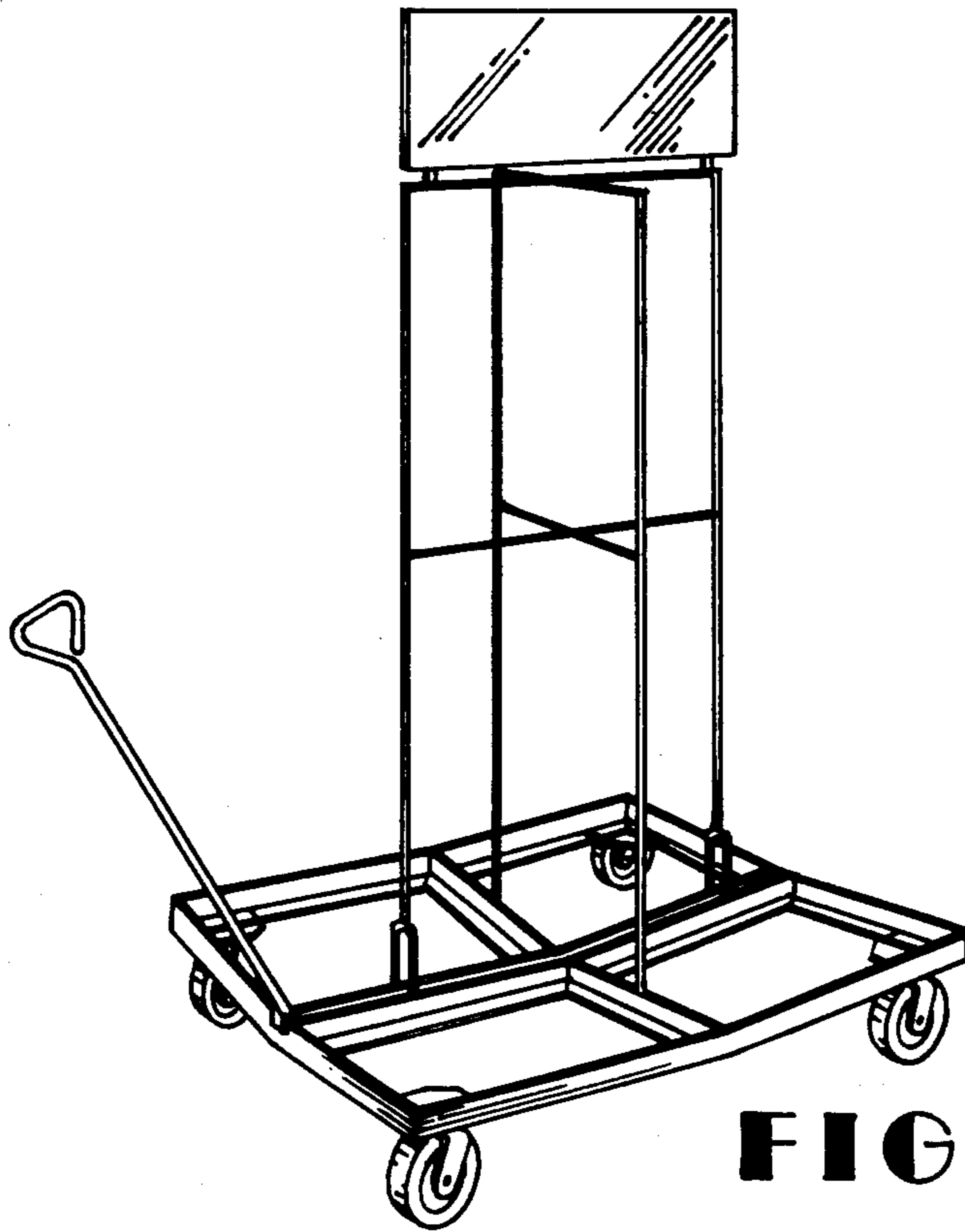
FIG. 3 is a front elevational view thereof, taken from the left of FIG. 2.

FIG. 4 is a side elevational view thereof, the rear and side opposite that shown in FIG. 4 are identical to their counter parts with the exception of the position of the handle.

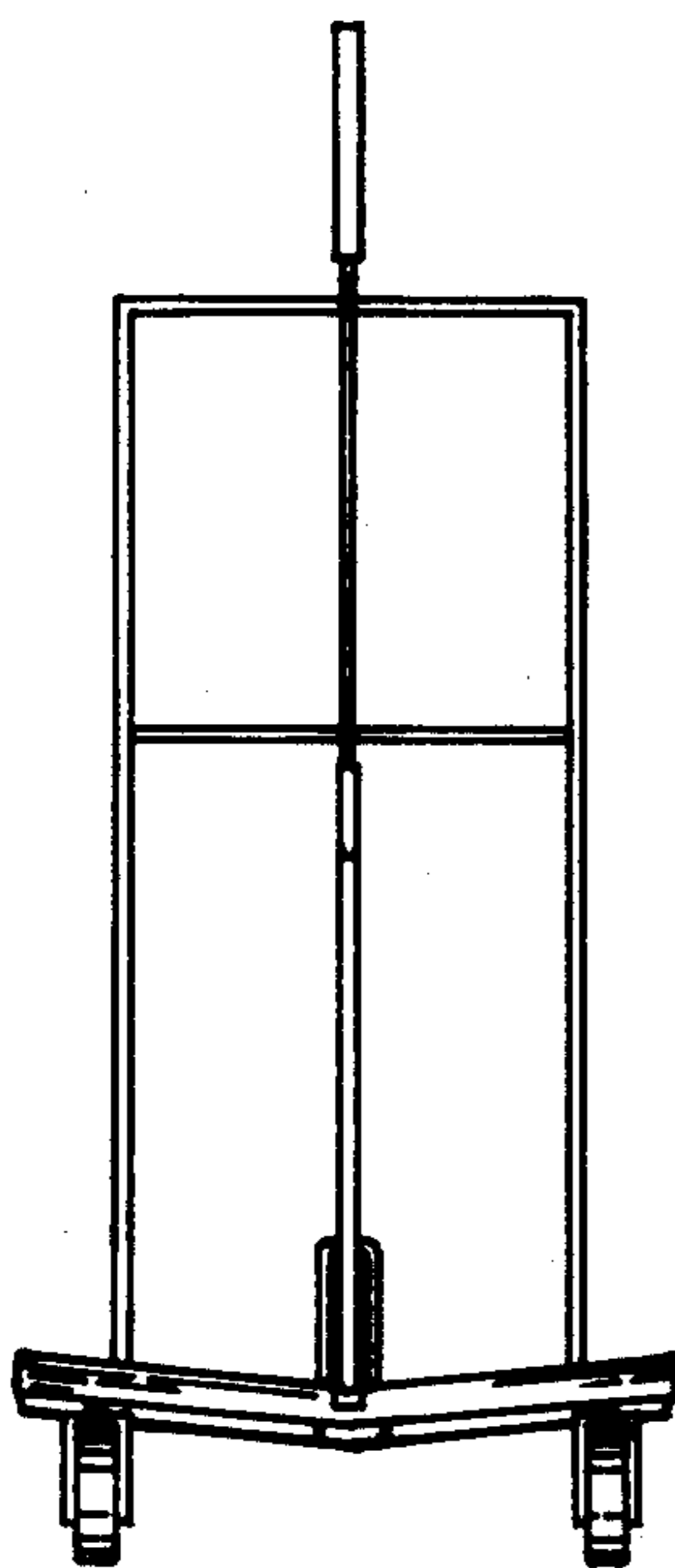




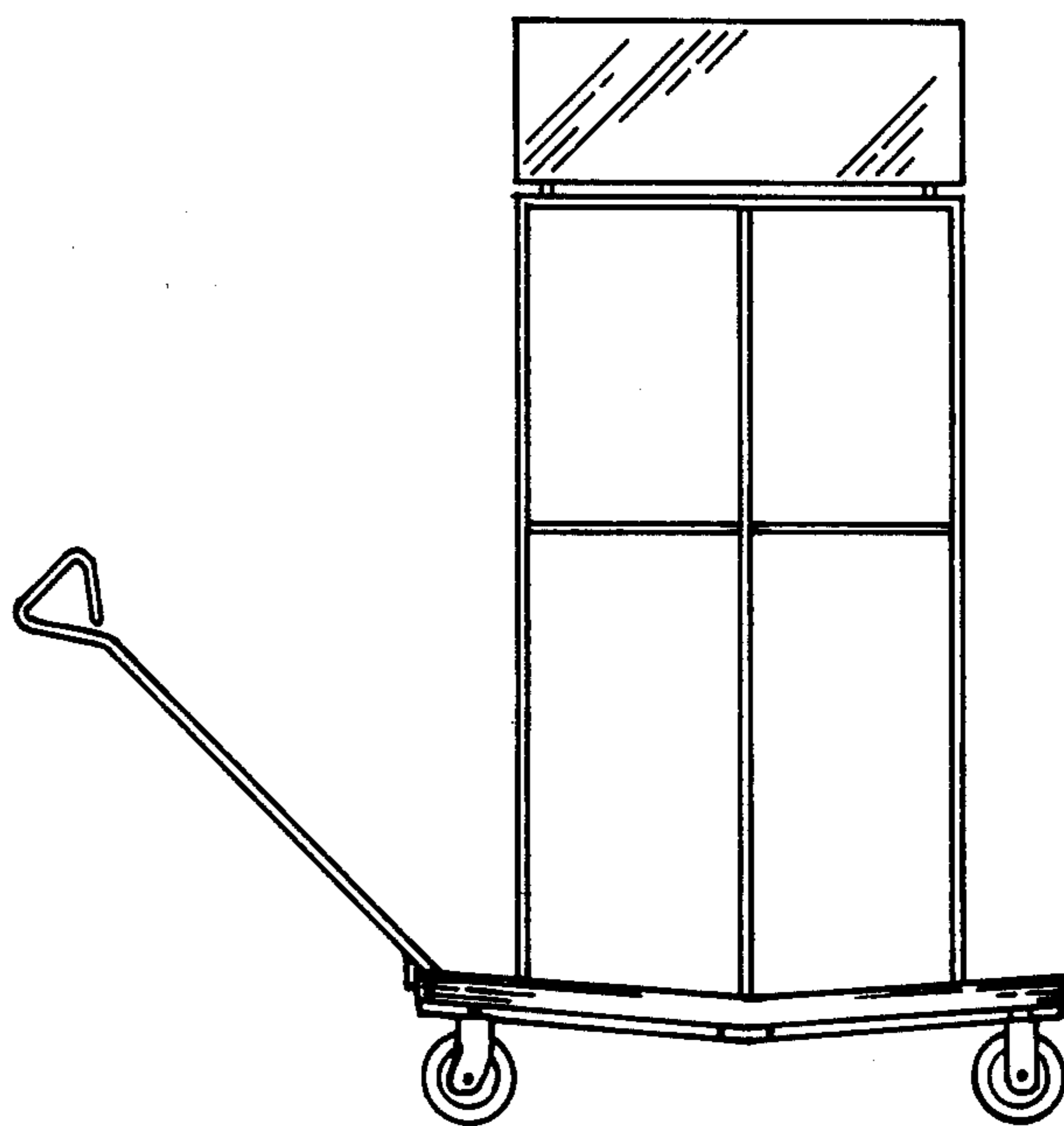
**FIG 1**



**FIG 2**



**FIG 3**



**FIG 4**