

[54] **TABLE**

[75] **Inventor:** Fuller Robinson, Jalisco, Mexico

[73] **Assignee:** Standard Desk Limited

[\*\*] **Term:** 14 Years

[21] **Appl. No.:** 664,062

[22] **Filed:** Mar. 4, 1976

**Related U.S. Application Data**

[62] Division of Ser. No. 448,506, March 6, 1974.

[51] **Int. Cl.** ..... D6—03

[52] **U.S. Cl.** ..... D6/177

[58] **Field of Search** ..... D6/27, 146, 147, 148,  
D6/149, 156, 158, 167, 168, 172, 175, 177, 178,  
179; 108/59, 64, 65, 67

[56]

**References Cited**

**U.S. PATENT DOCUMENTS**

D. 221,672	8/1971	Kalilich .....	D6/177
D. 229,808	1/1974	McDonald .....	D6/177
D. 235,720	7/1975	Ball .....	D6/162
2,297,647	9/1942	Chason .....	108/64 X
2,868,599	1/1959	Roggio .....	108/64 X
3,421,459	1/1969	Sherwood .....	108/64 X

*Primary Examiner*—Bruce W. Dunkins

*Attorney, Agent, or Firm*—Norman Friedman

[57]

**CLAIM**

The ornamental design for table, as shown and described.

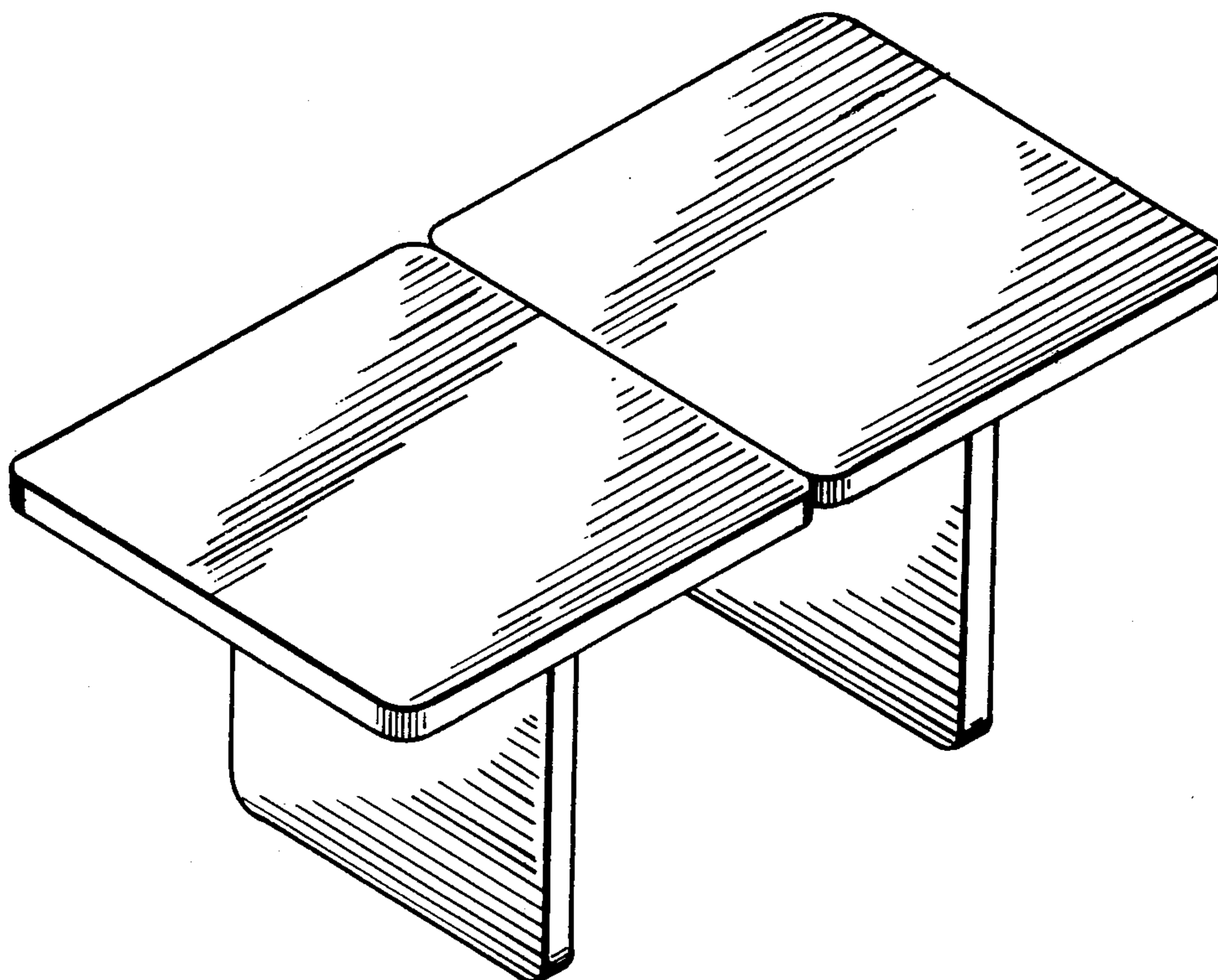
**DESCRIPTION**

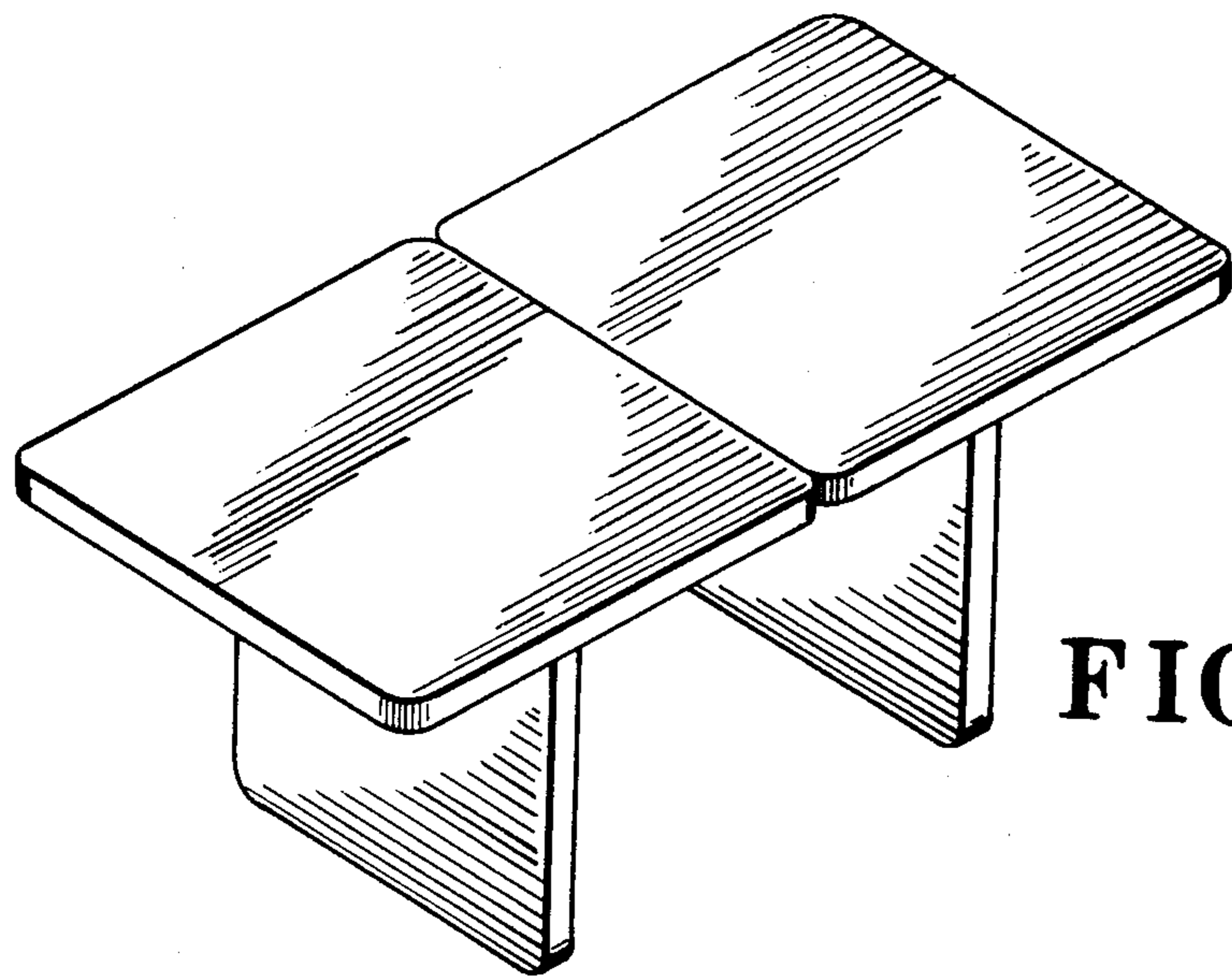
FIG. 1 is a perspective view of a table showing my design;

FIG. 2 is a view in side elevation; and

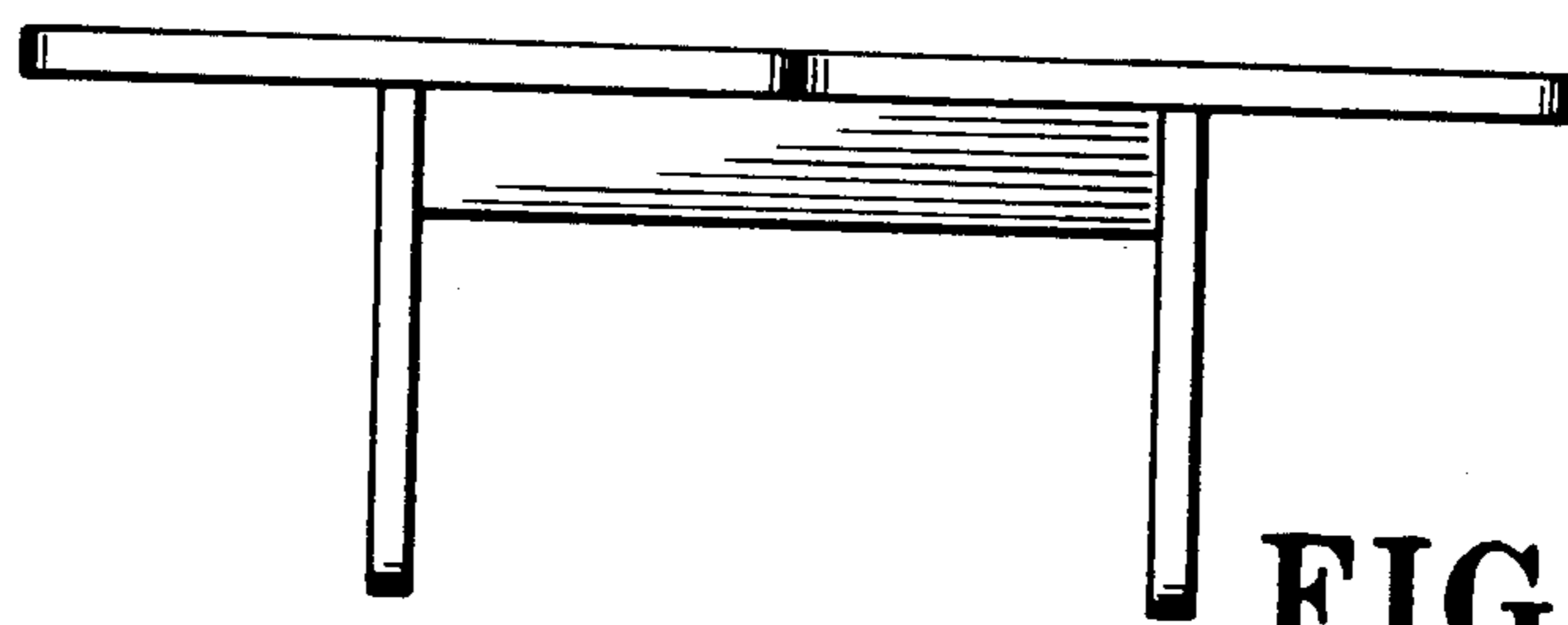
FIG. 3 is a bottom plan view thereof.

The side faces of the leg panels not shown are plain and unornamented.

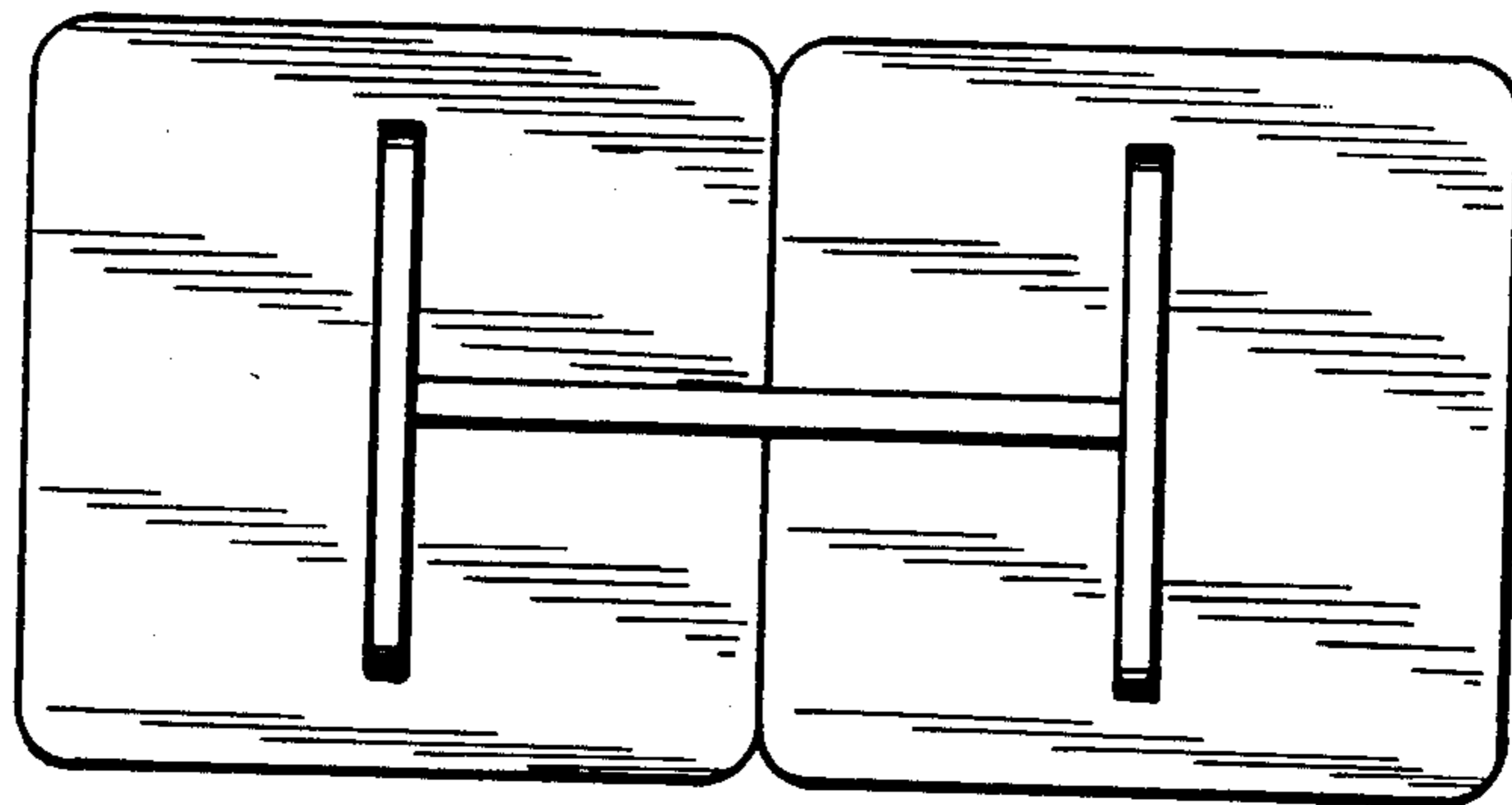




**FIG. 1**



**FIG. 2**



**FIG. 3**