

[54] **COMBINED CLEANING IMPLEMENT HANDLE AND INTERCHANGEABLE HEADS THEREFOR**

[76] Inventor: **Kurt Krusche**, Nanserning 22, Frankfurt am Main, Germany, 6000

[\*\*] Term: **14 Years**

[21] Appl. No.: **629,306**

[22] Filed: **Nov. 6, 1975**

[30] **Foreign Application Priority Data**

May 9, 1975 Germany ..... 73MR8383

[51] Int. Cl. .... **D4-01; D7-05**

[52] U.S. Cl. .... **D4/12**

[58] Field of Search ..... **D4/1-38; D7/178-185; 15/159 R, 159 A, 160, 244, 171, 172, 76-183, 209 R, 210 R**

[56] **References Cited**

**U.S. PATENT DOCUMENTS**

D. 180,674	7/1957	Scholl	.....	D4/12
D. 197,637	3/1964	Vallis	.....	D4/6
D. 231,283	4/1974	Lindbo	.....	D4/31
2,456,782	12/1948	Hartman	.....	D86/14 UX
3,060,478	10/1962	Silver	.....	15/244 R X
3,161,905	12/1964	Dryden	.....	15/244 R X

**OTHER PUBLICATIONS**

Coronet Catalog #731 - 1973 p. 4 - Massage Brush at top of page.

*Primary Examiner*—Wallace R. Burke

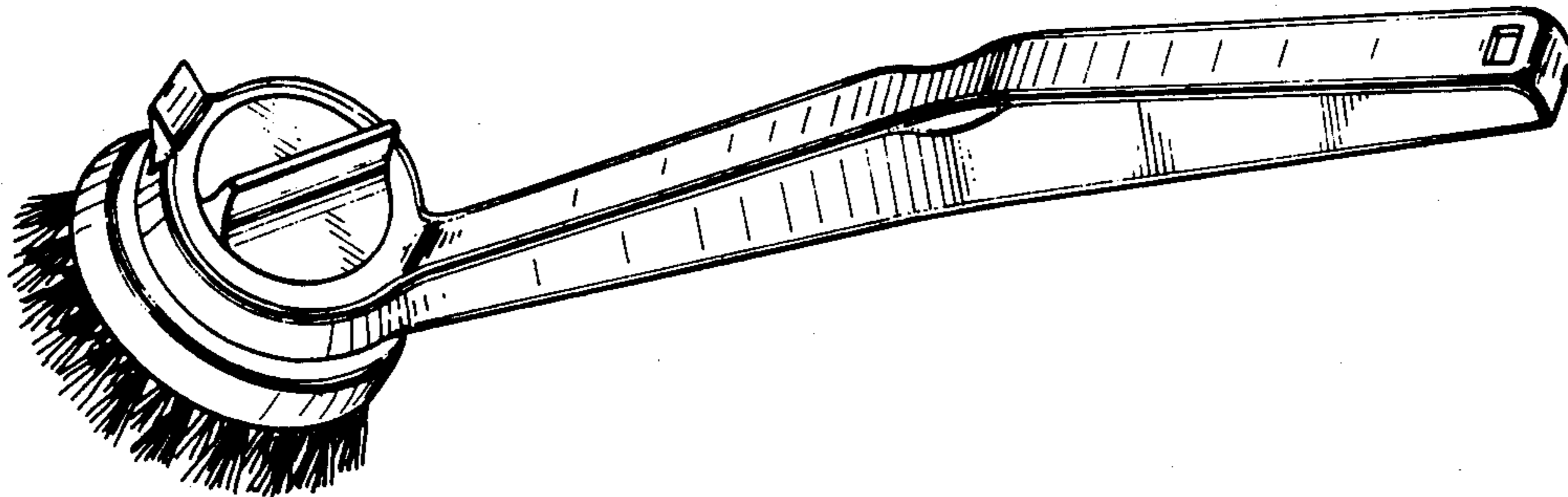
*Assistant Examiner*—Catherine Kemper  
*Attorney, Agent, or Firm*—Kurt Kelman

[57] **CLAIM**

The ornamental design for a combined cleaning implement handle and interchangeable heads therefor, as shown and described.

**DESCRIPTION**

FIG. 1 is a perspective view of a combined cleaning implement handle and interchangeable heads therefor, showing my new design and shown with a round brush; FIG. 2 is a bottom perspective view thereof; FIG. 3 is a top plan view thereof; FIG. 4 is a front perspective view thereof; FIG. 5 is a side elevational view, the opposite side being a mirror image thereof; FIG. 6 is a perspective view of a combined cleaning implement handle and interchangeable heads therefor, shown with a rectangular brush; FIG. 7 is a bottom perspective view thereof; FIG. 8 is a top plan view thereof; FIG. 9 is a front perspective view thereof; FIG. 10 is a side elevational view, the opposite side being a mirror image thereof; FIG. 11 is a perspective view of a combined cleaning implement handle and interchangeable heads therefor, shown with a square sponge; FIG. 12 is a bottom perspective view thereof; FIG. 13 is a top plan view thereof; FIG. 14 is a front perspective view thereof; FIG. 15 is a side elevational view, the opposite side being a mirror image thereof.



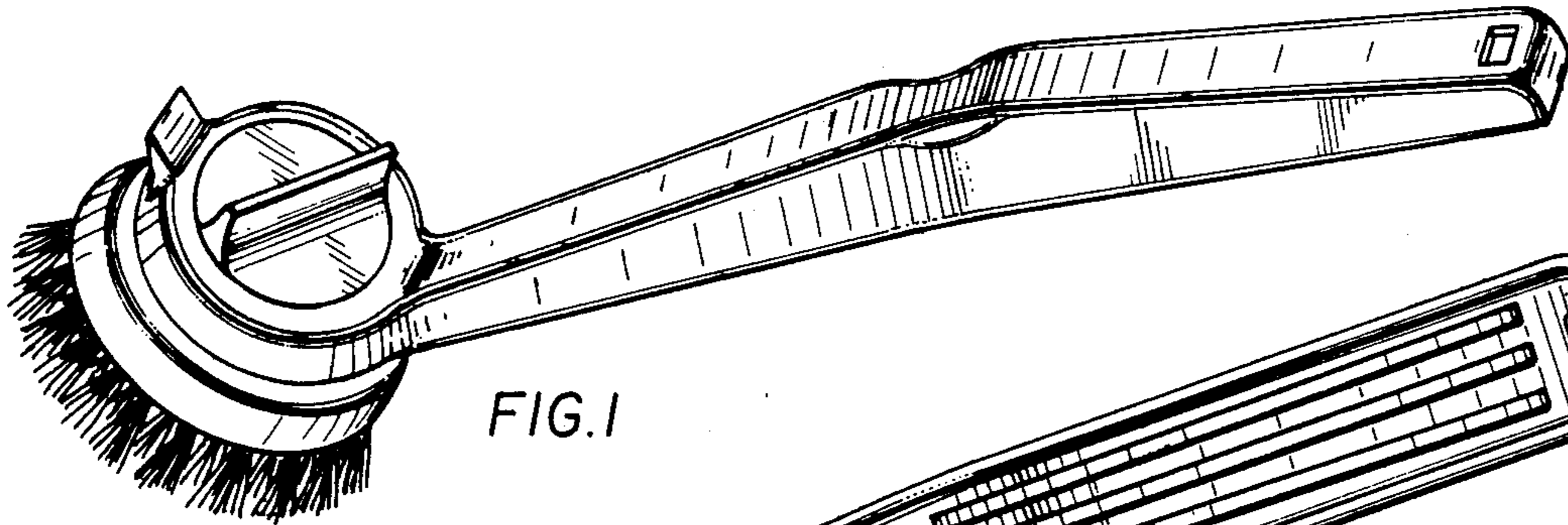


FIG. 1

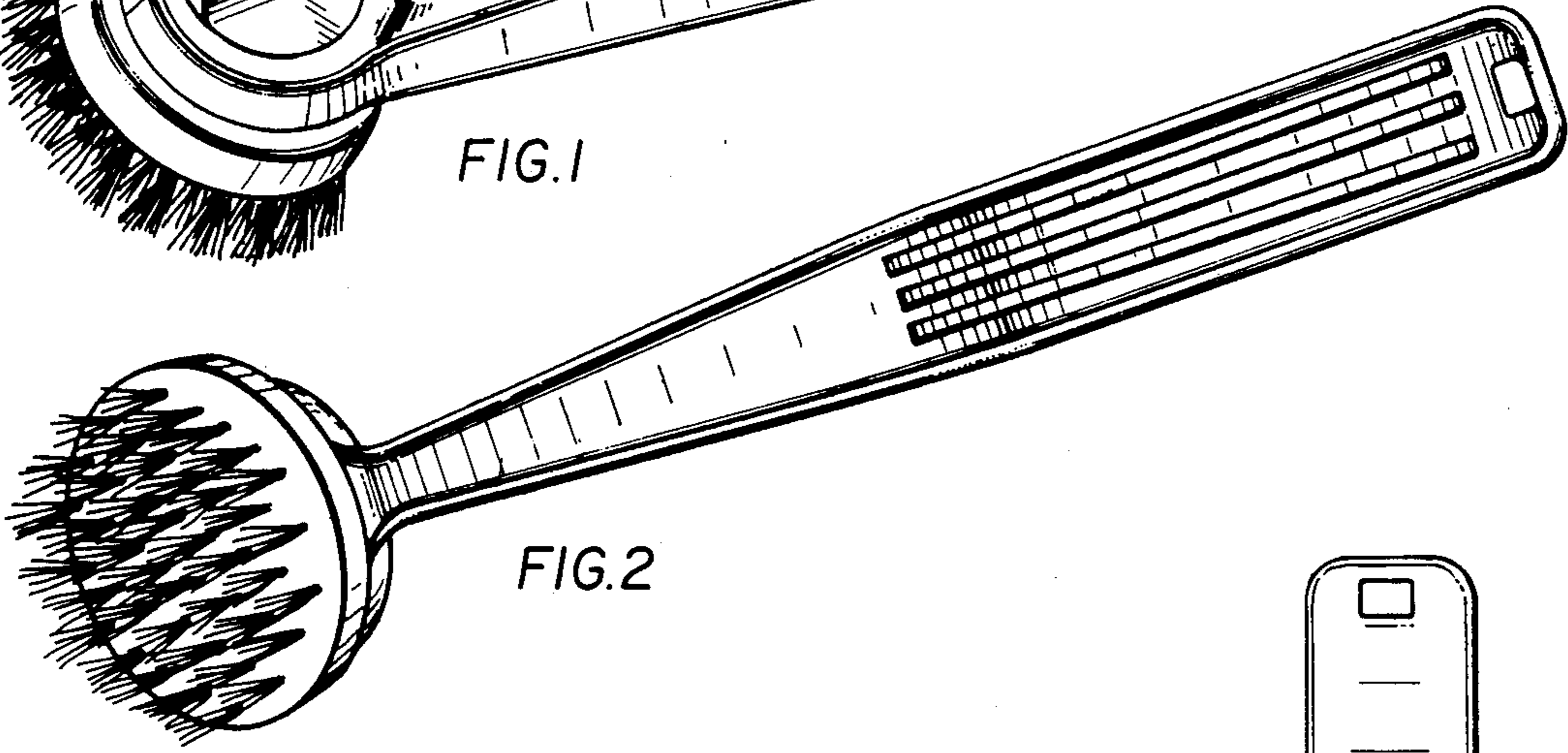


FIG. 2

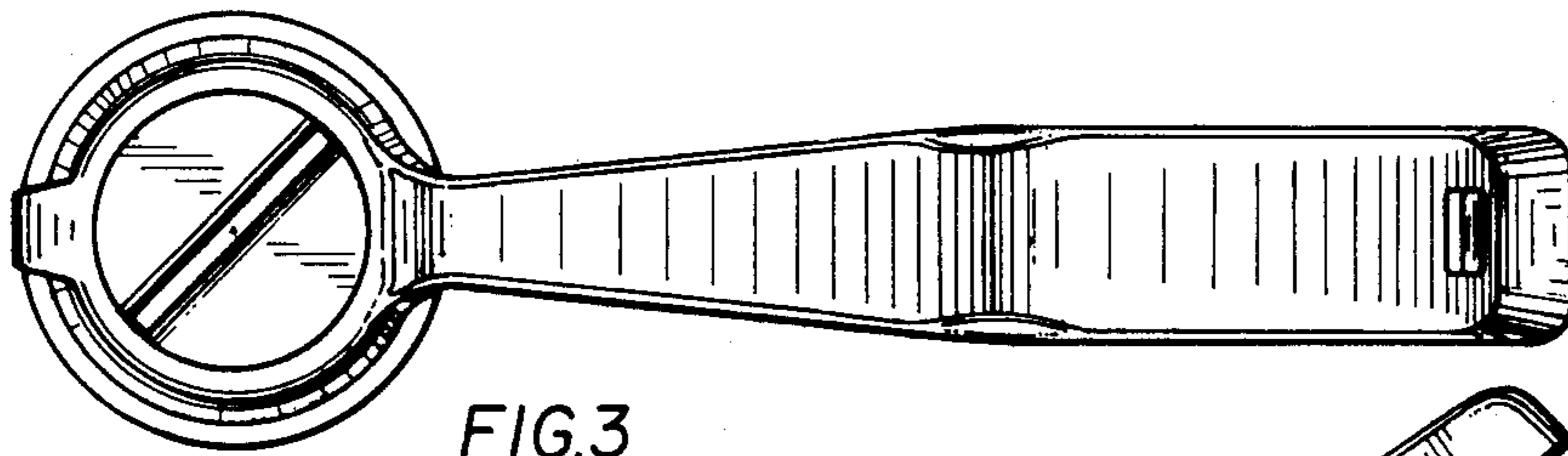


FIG. 3

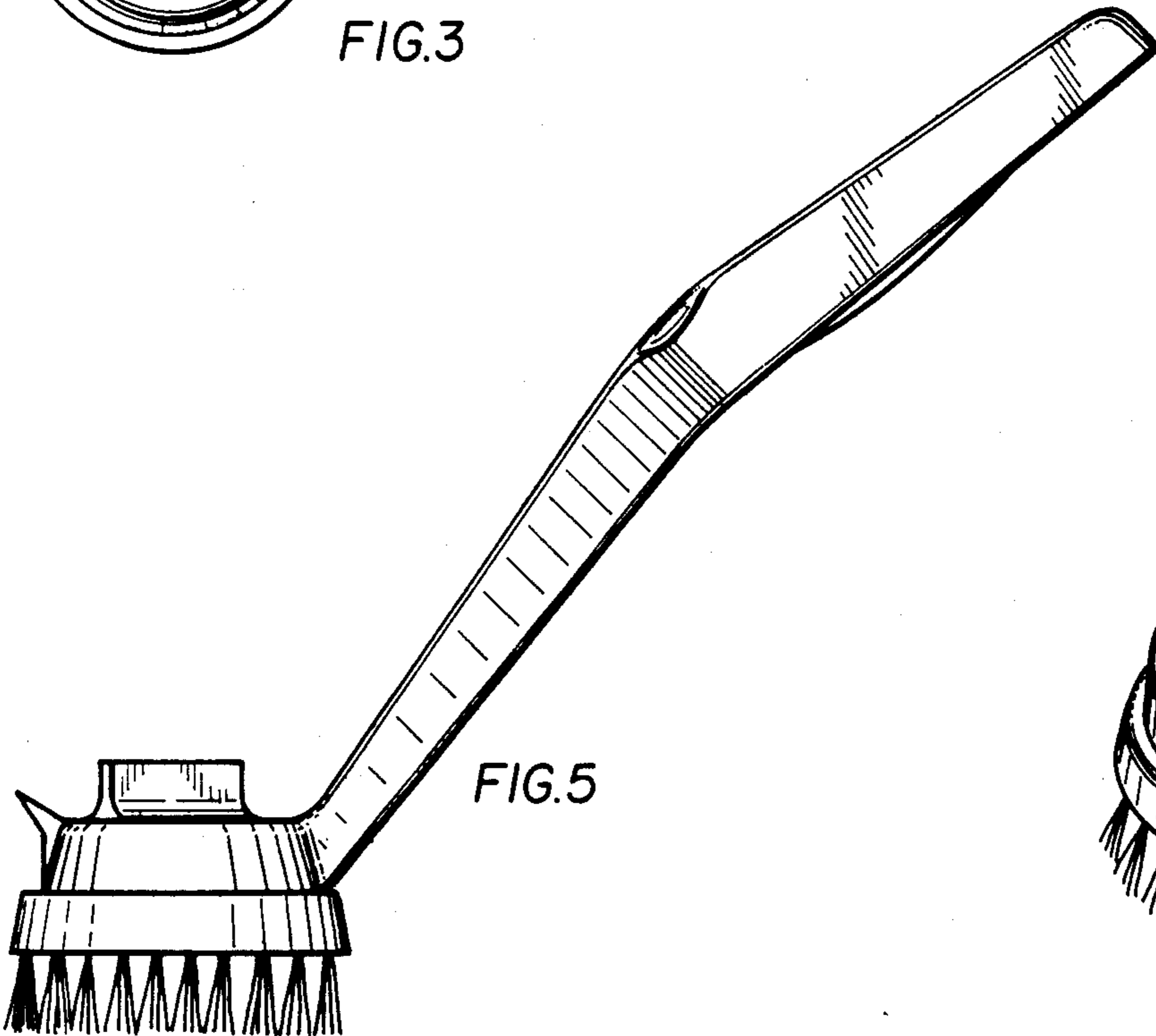


FIG. 5

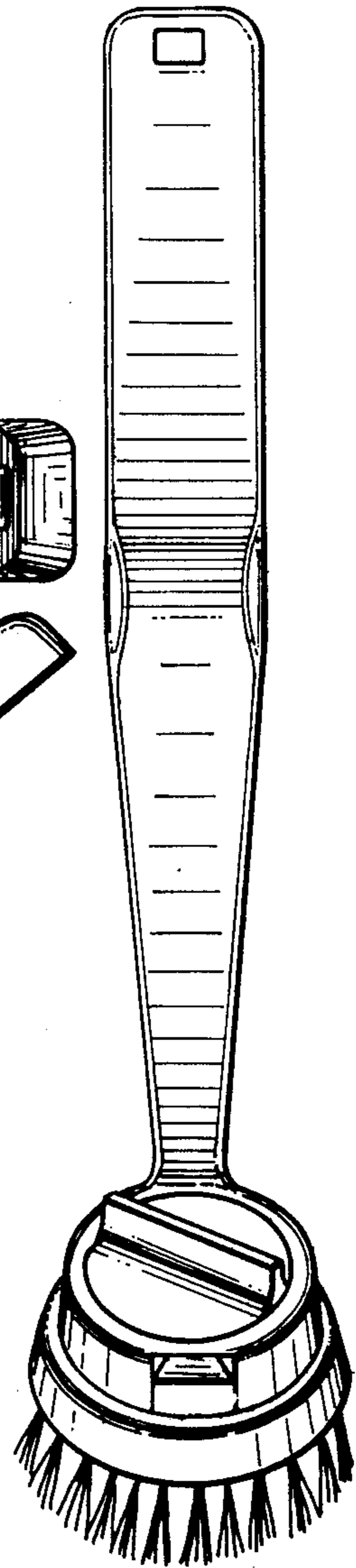


FIG. 4



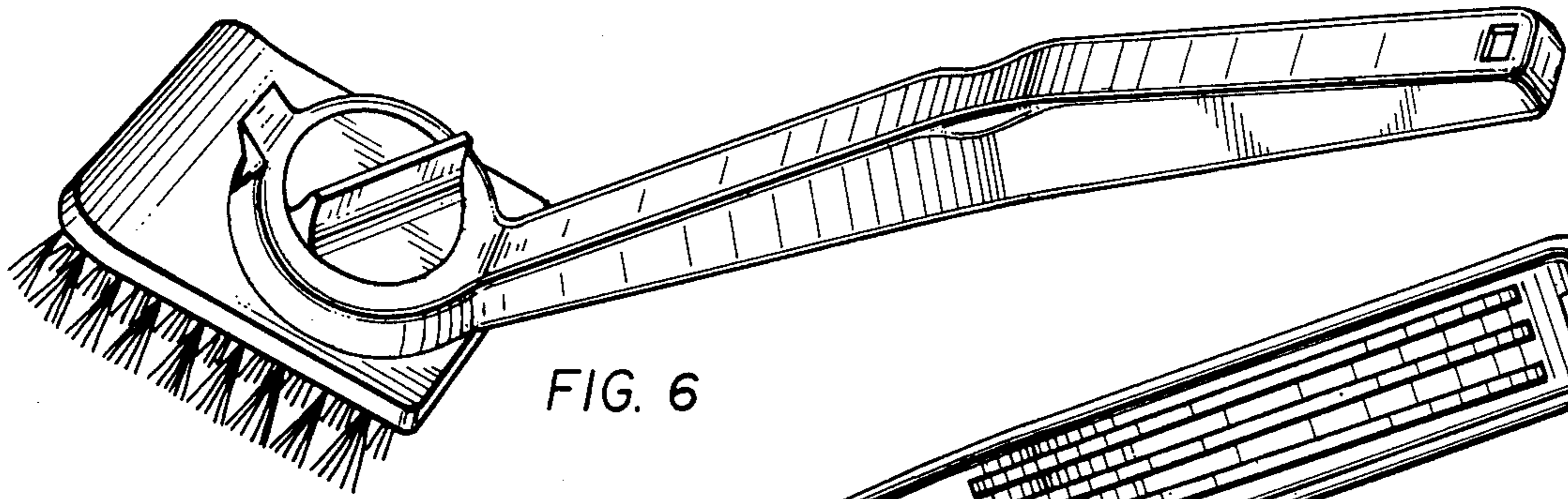


FIG. 6

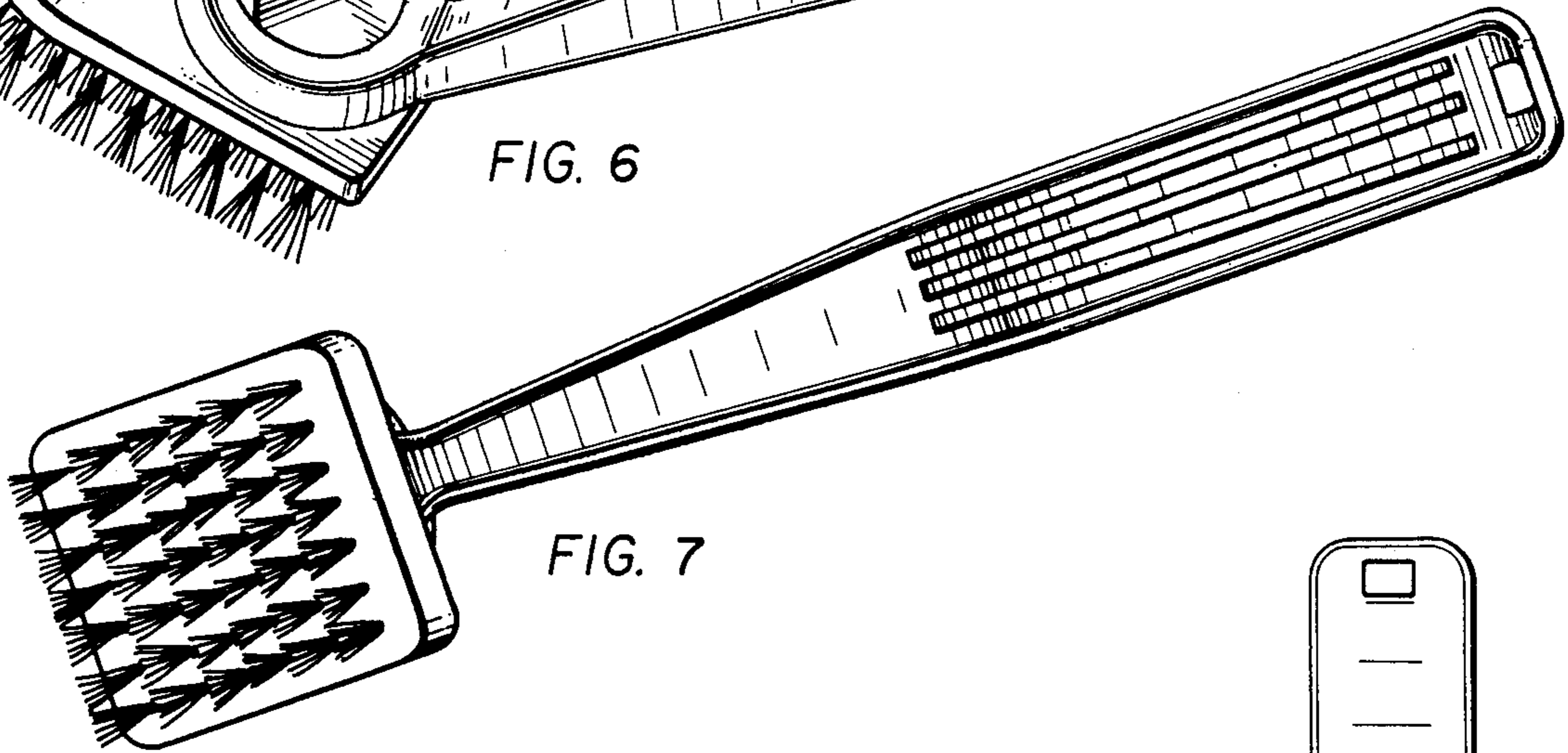


FIG. 7

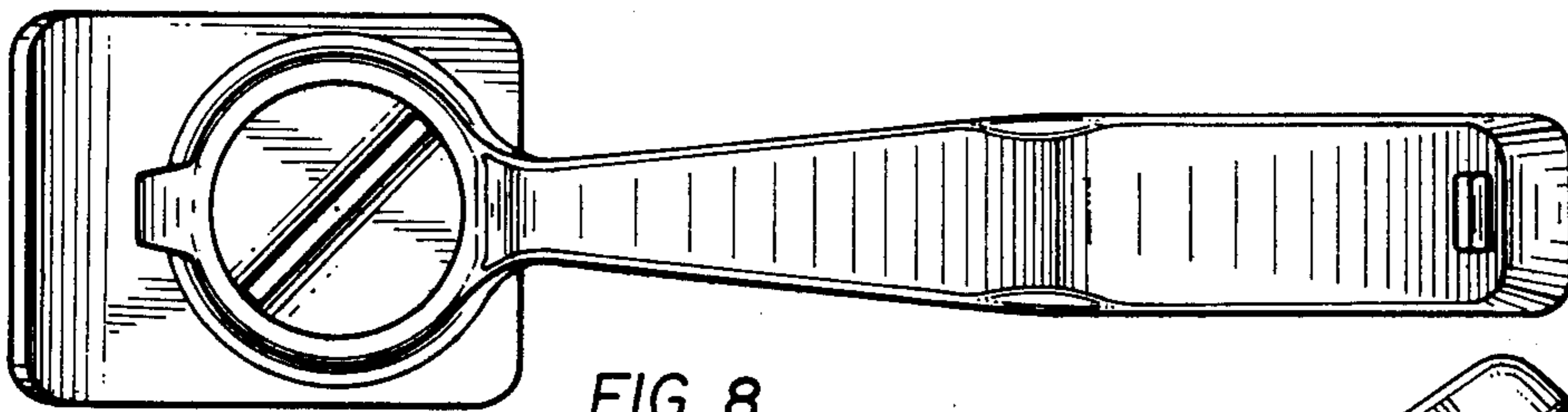


FIG. 8

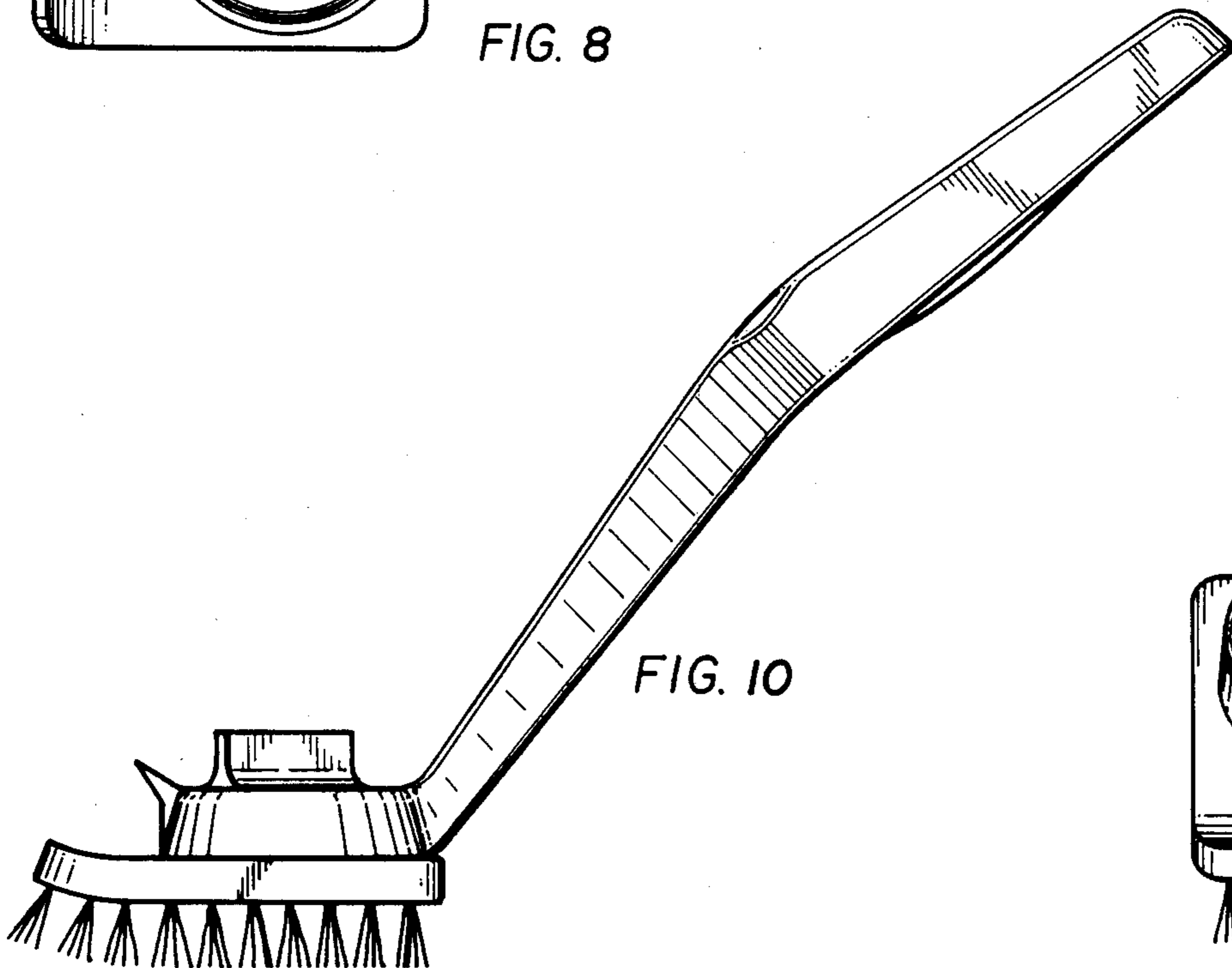


FIG. 10

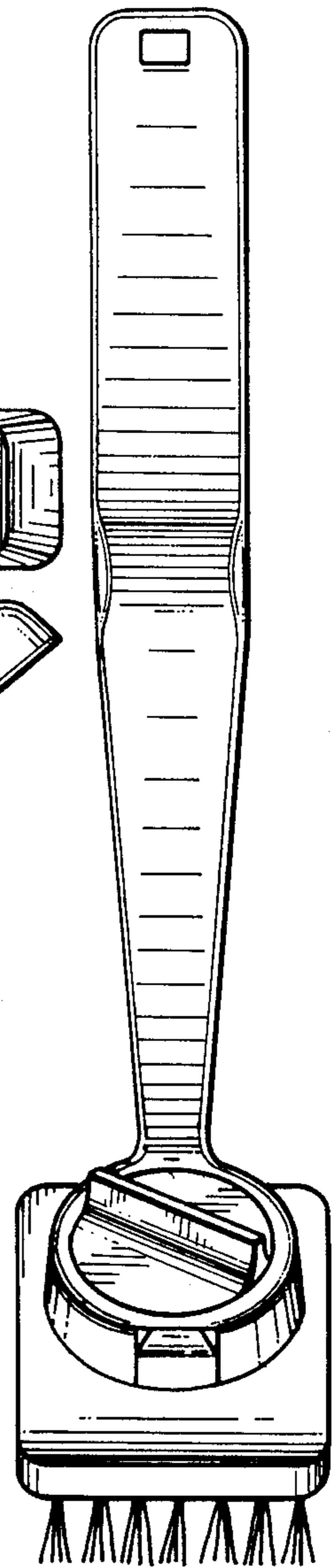


FIG. 9

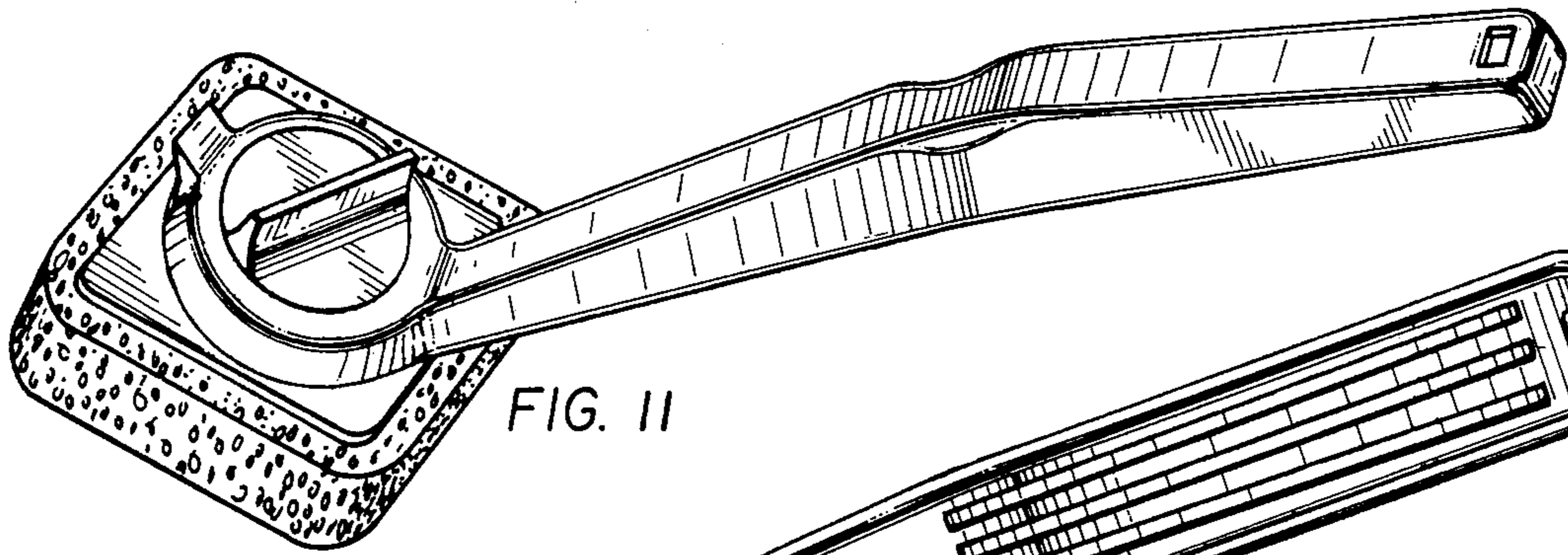


FIG. 11

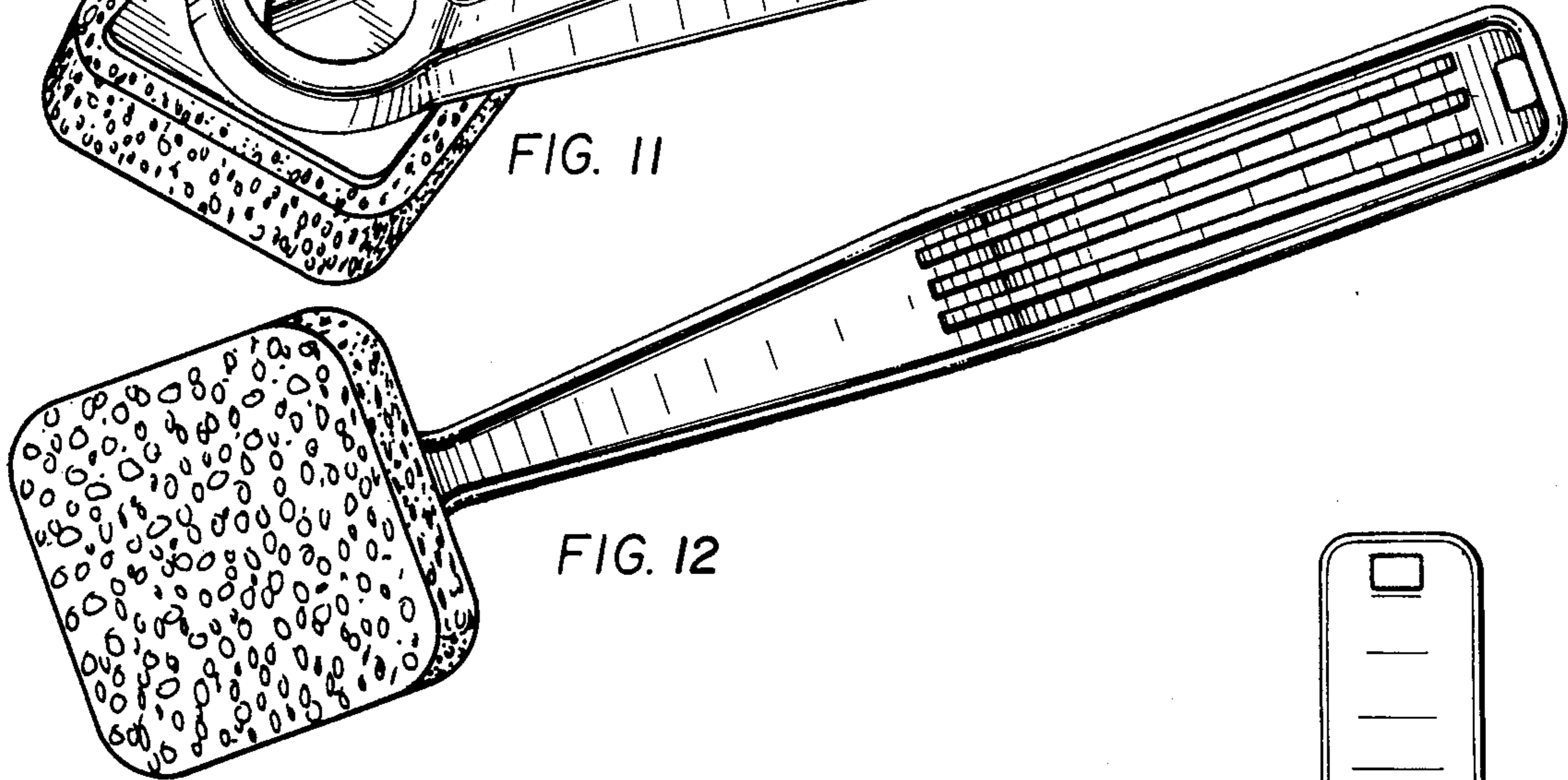


FIG. 12

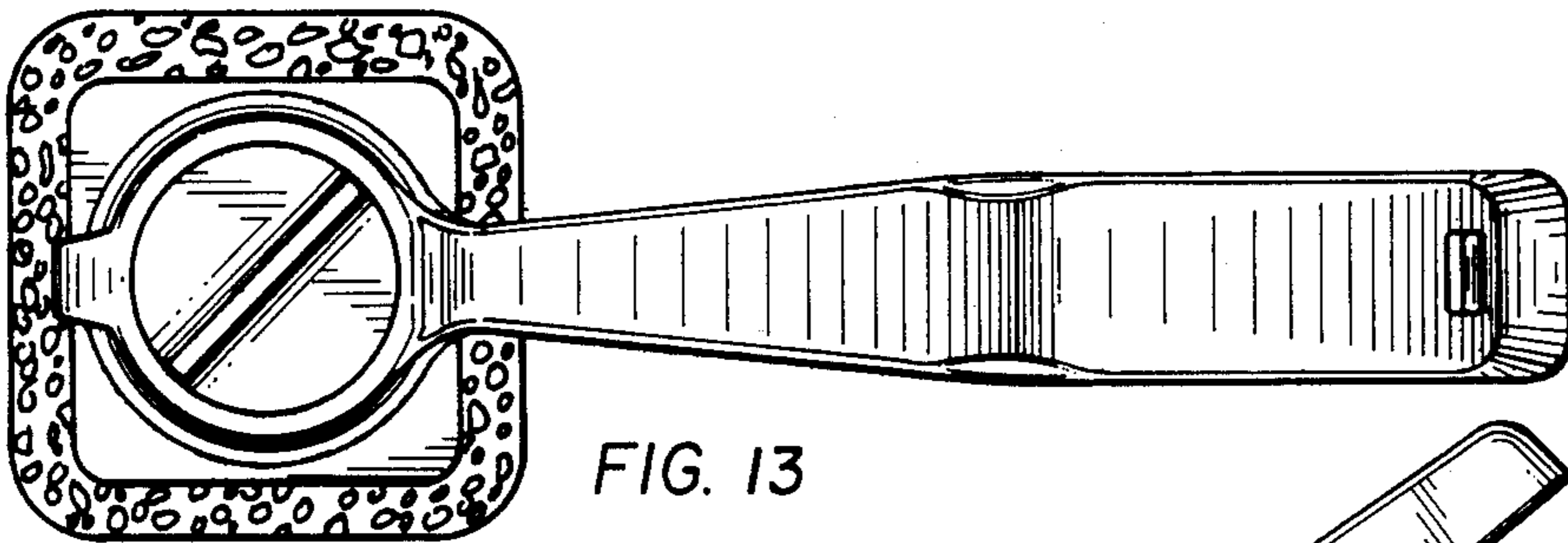


FIG. 13

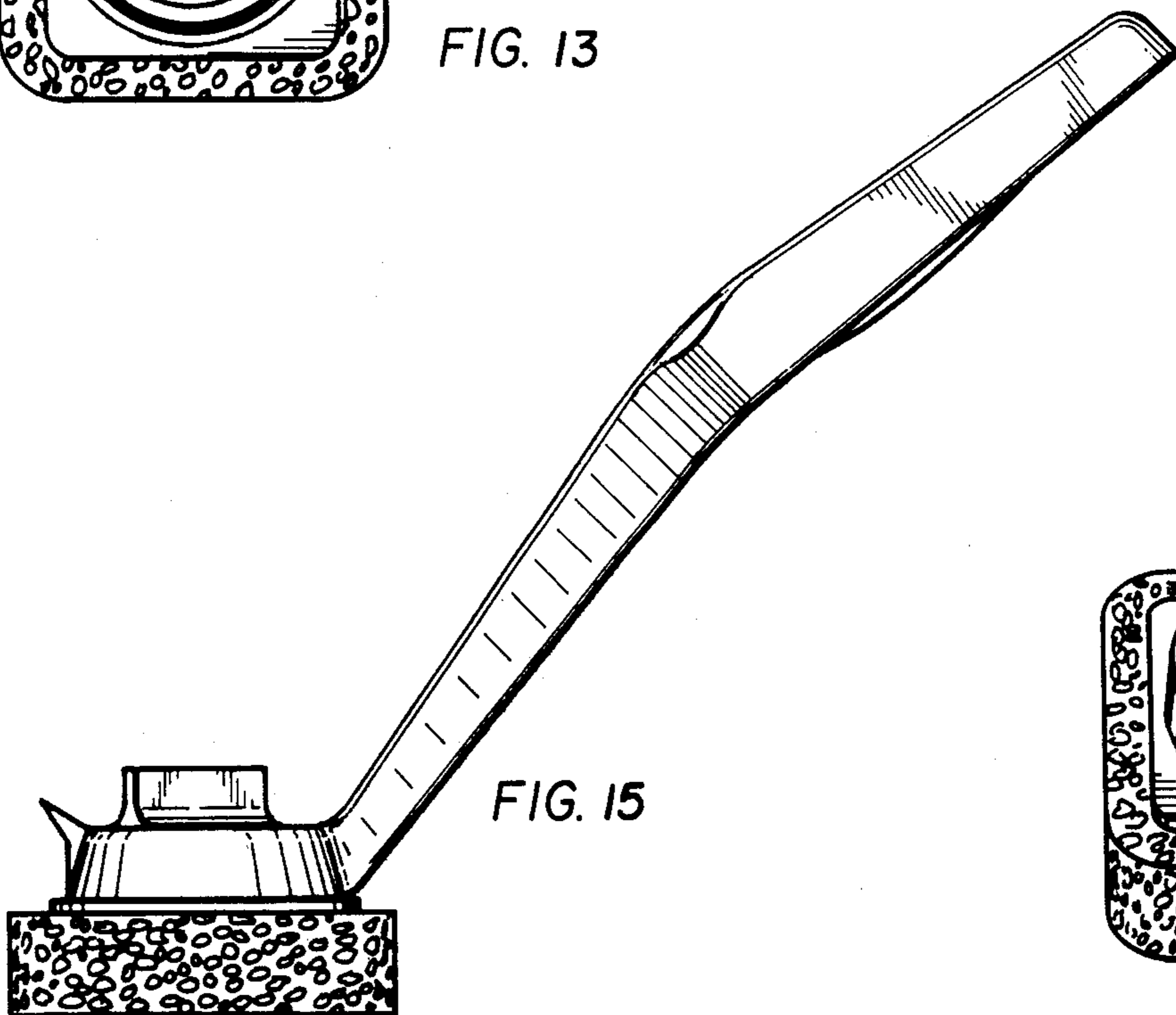


FIG. 15

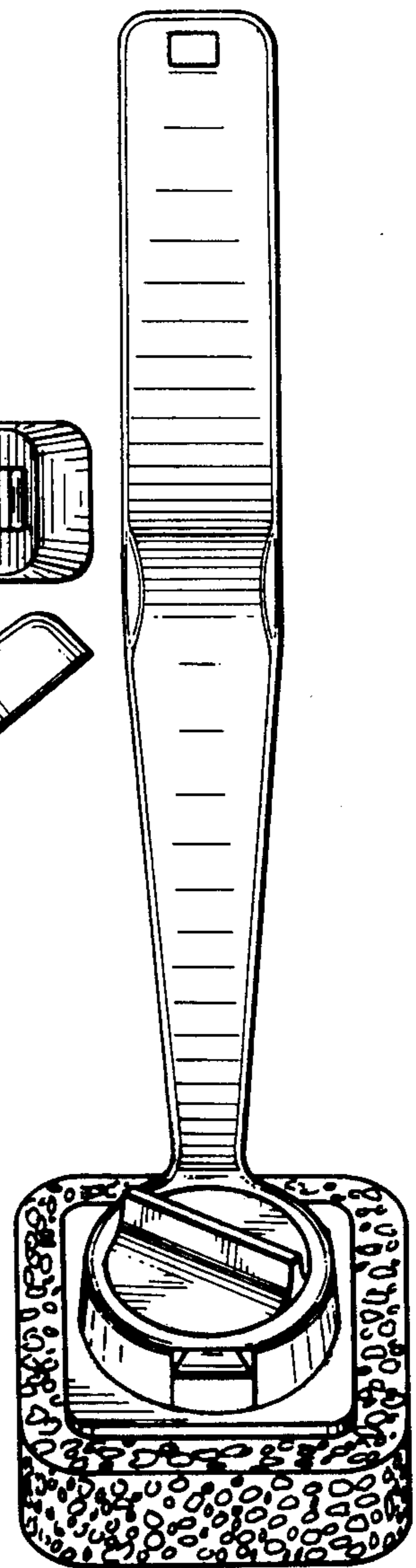


FIG. 14