

[54] SIDE POCKET FOR A HANDBAG OR THE LIKE

2,413,465 12/1946 Ohlsen D87/3 F
2,479,472 8/1949 Coplon D87/3 A

[76] Inventor: Burt J. Siris, 150 E. 69th St., New York, N.Y. 10021

Primary Examiner—Joel Stearman
Assistant Examiner—George P. Word
Attorney, Agent, or Firm—Alex Friedman

[**] Term: 14 Years

[21] Appl. No.: 650,106

[57] CLAIM

[22] Filed: Jan. 19, 1976

The ornamental design for a side pocket for a handbag or the like, as shown and described.

[51] Int. Cl. D3-01

DESCRIPTION

[52] U.S. Cl. D87/3 R

[58] Field of Search D87/3 F, 5 E, 3 R, 3 A;
150/35, 39, 28 R, 34; 190/51, 52, 16

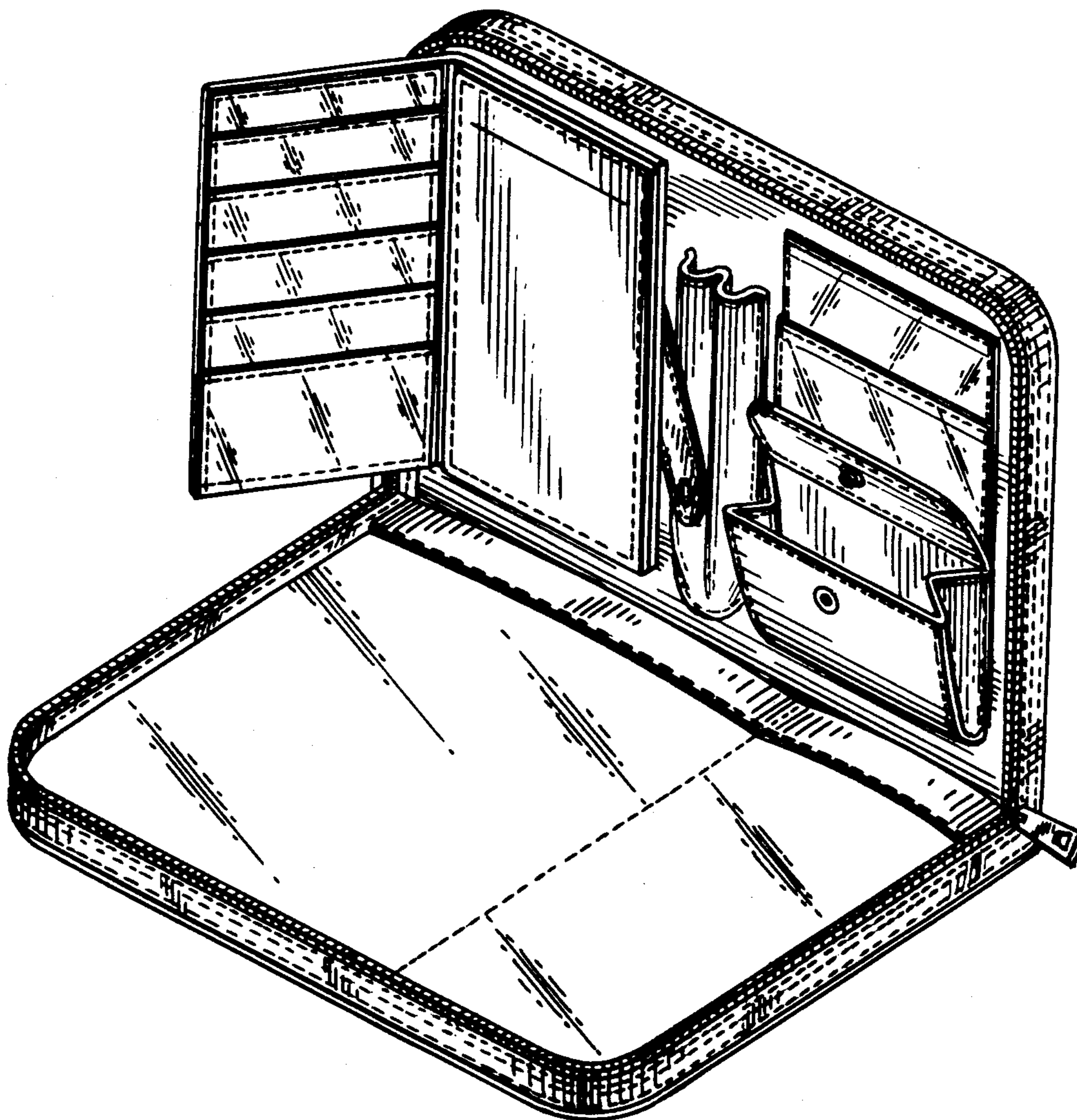
FIG. 1 is a perspective view of a side pocket for a handbag or the like showing my new design;
FIG. 2 is a right side elevational view;
FIG. 3 is a perspective view thereof with the main flap in an open condition; and,
FIG. 4 is a perspective view thereof showing the interior pockets in open condition.

[56] References Cited

U.S. PATENT DOCUMENTS

D. 224,072 6/1972 Rosenblum D87/3 F
D. 235,691 7/1975 Barad D87/3 F
2,038,319 4/1936 Stanley 190/16

The side opposite that shown in FIG. 1 is substantially plain.



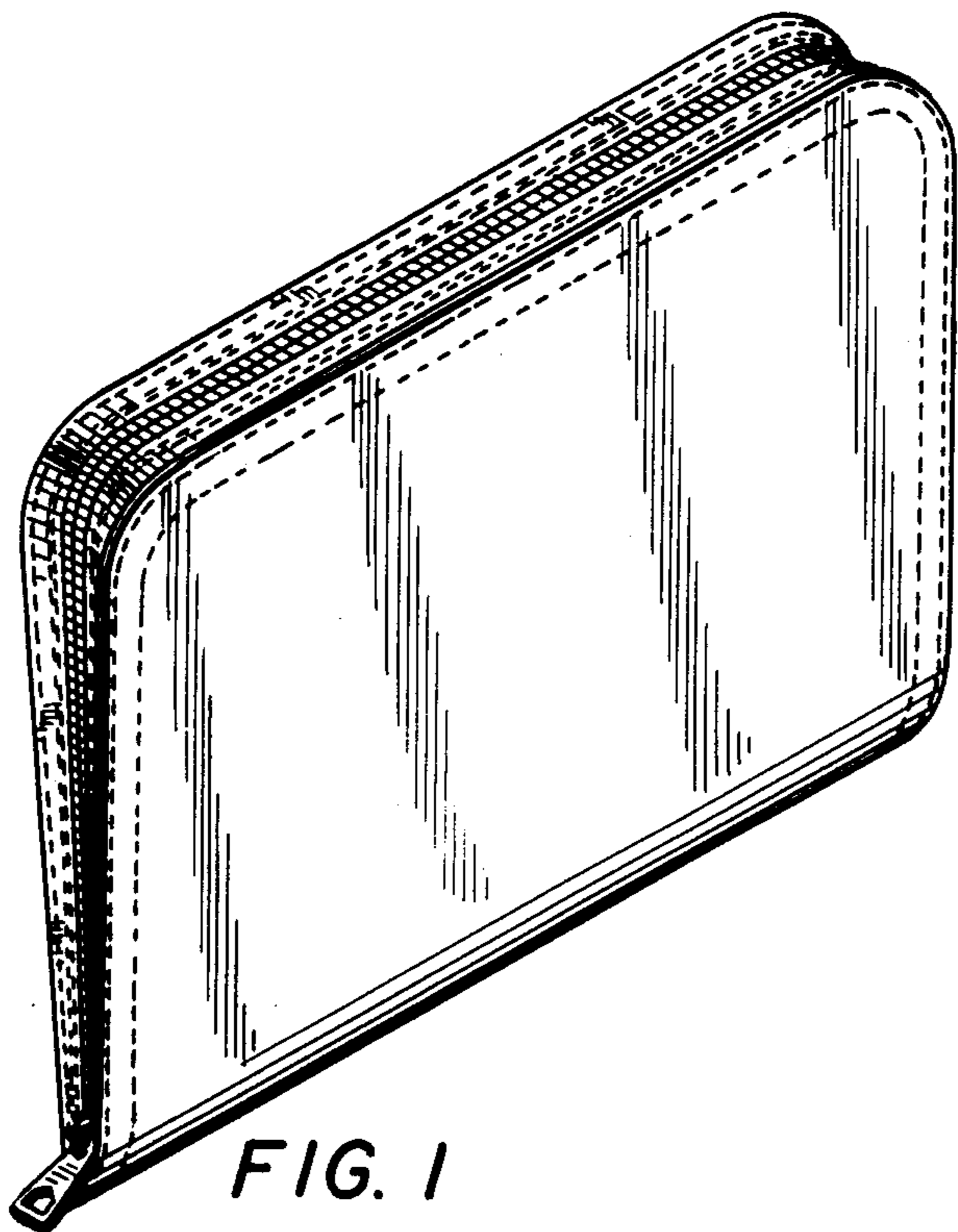


FIG. 1

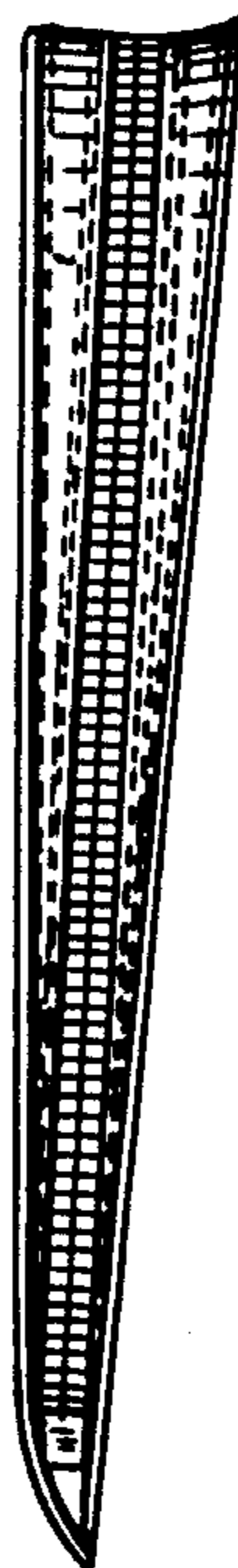


FIG. 2

FIG. 3

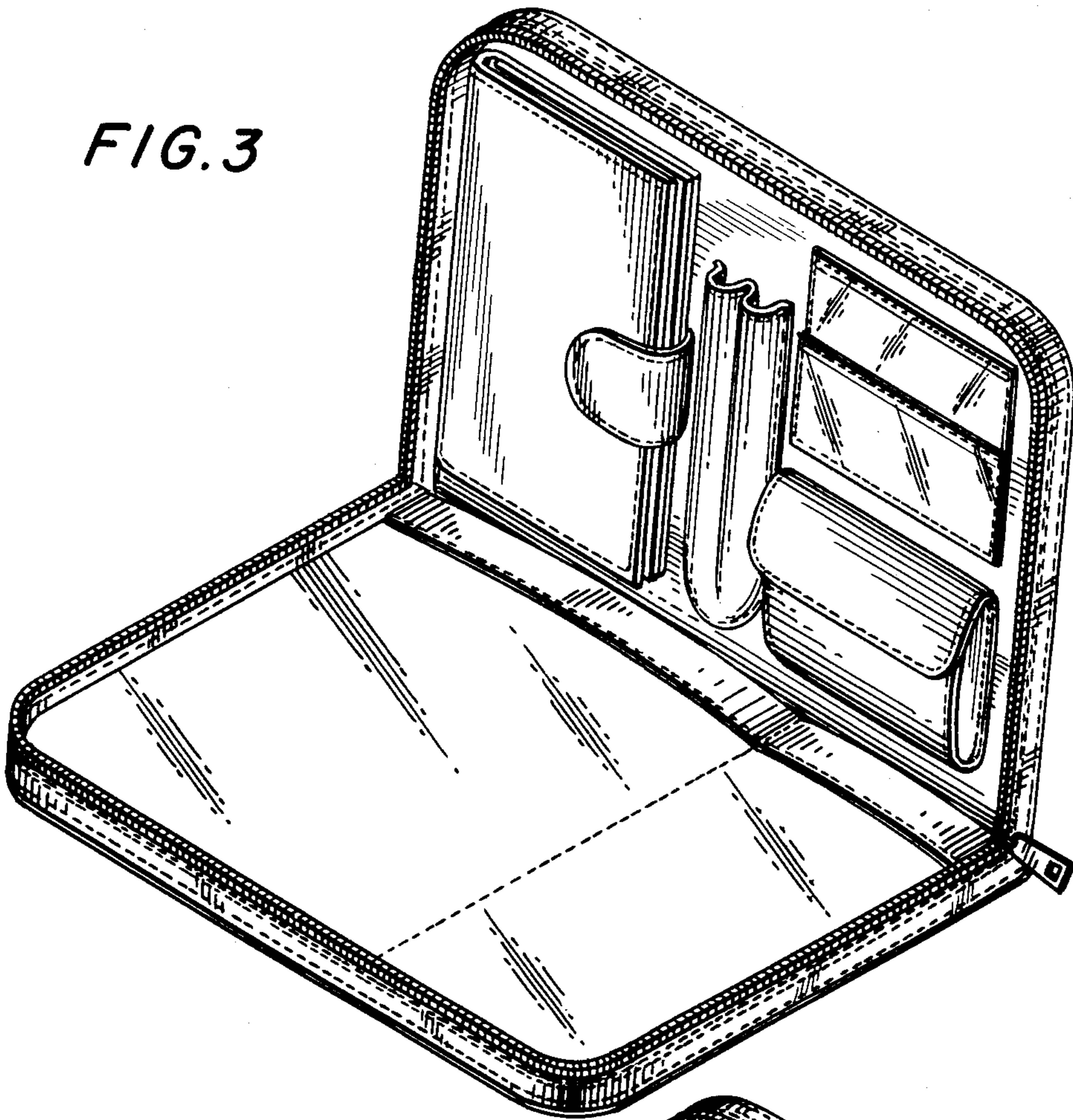


FIG. 4

