

[54] CEILING LIGHT FIXTURE DIFFUSER SIDE RAIL

D. 227,984 7/1973 Lang et al. D25/76
2,737,577 3/1956 McPhail 240/51.11 R

[76] Inventor: Murray M. Win, 1223 S. Roxbury Drive, Los Angeles, Calif. 90035

FOREIGN PATENT DOCUMENTS

650,758 10/1962 Canada 240/51.11 R

[**] Term: 14 Years

Primary Examiner—Susan J. Lucas
Attorney, Agent, or Firm—Wm. Jacquet Gribble

[21] Appl. No.: 738,664

[57] CLAIM

[22] Filed: Nov. 4, 1976

The ornamental design for ceiling light fixture diffuser side rail, as shown and described.

[51] Int. Cl. D26—05

[52] U.S. Cl. D48/16 A

[58] Field of Search D48/23 R, 23 A, 16 A;
D25/70, 72, 74, 75, 76; 240/9 R, 51.11 R, 78 R,
106 R, 108 R

DESCRIPTION

FIG. 1 is a front perspective view of a ceiling light fixture diffuser side rail showing my new design; FIG. 2 is a rear perspective view thereof; and FIG. 3 is an end view thereof.

The end not shown is similar to the end shown. The side rail is broken away to indicate indeterminate length.

[56] References Cited

U.S. PATENT DOCUMENTS

D. 193,022 6/1962 Zurawski D48/23 A

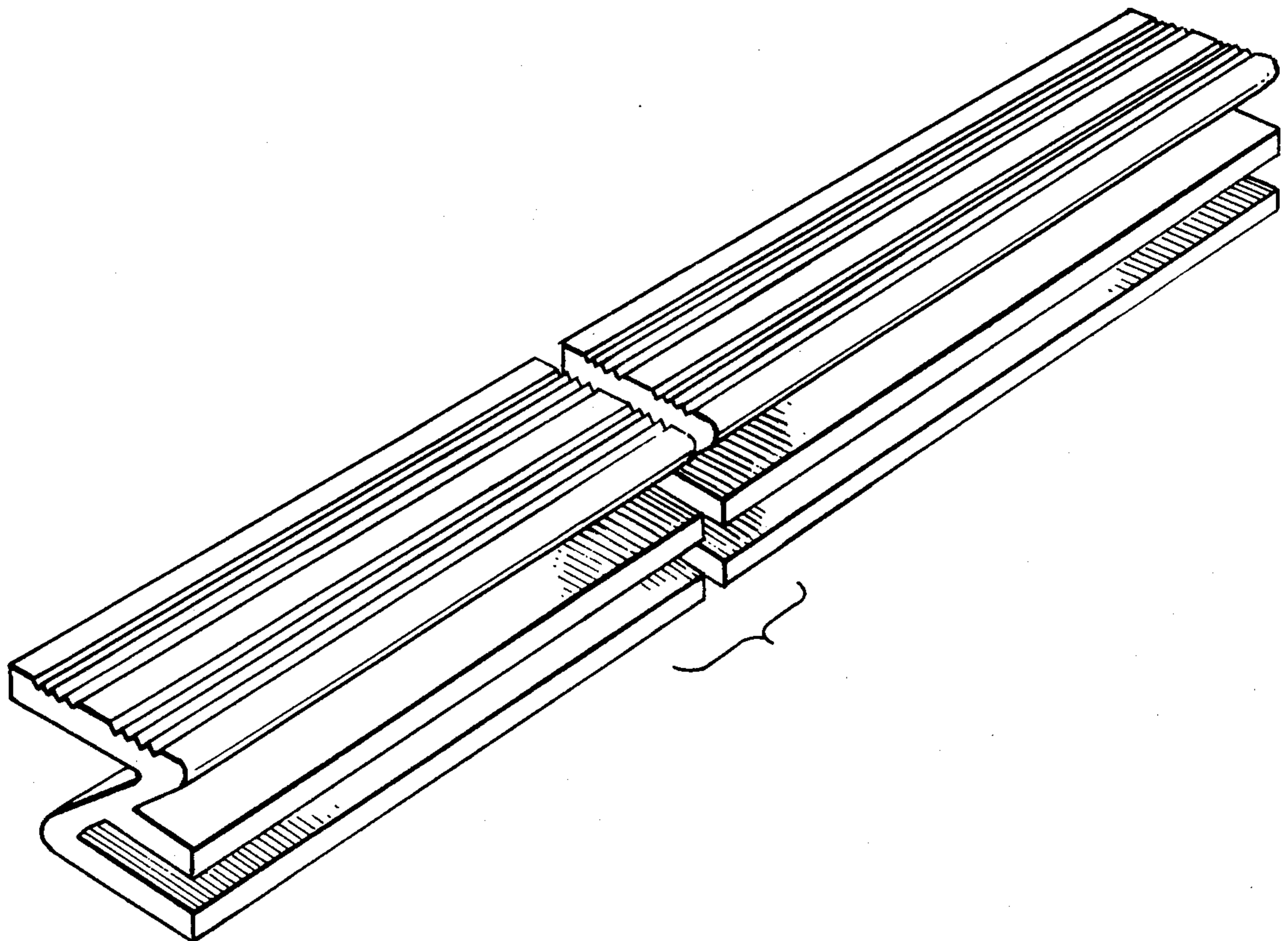


Fig. 1.

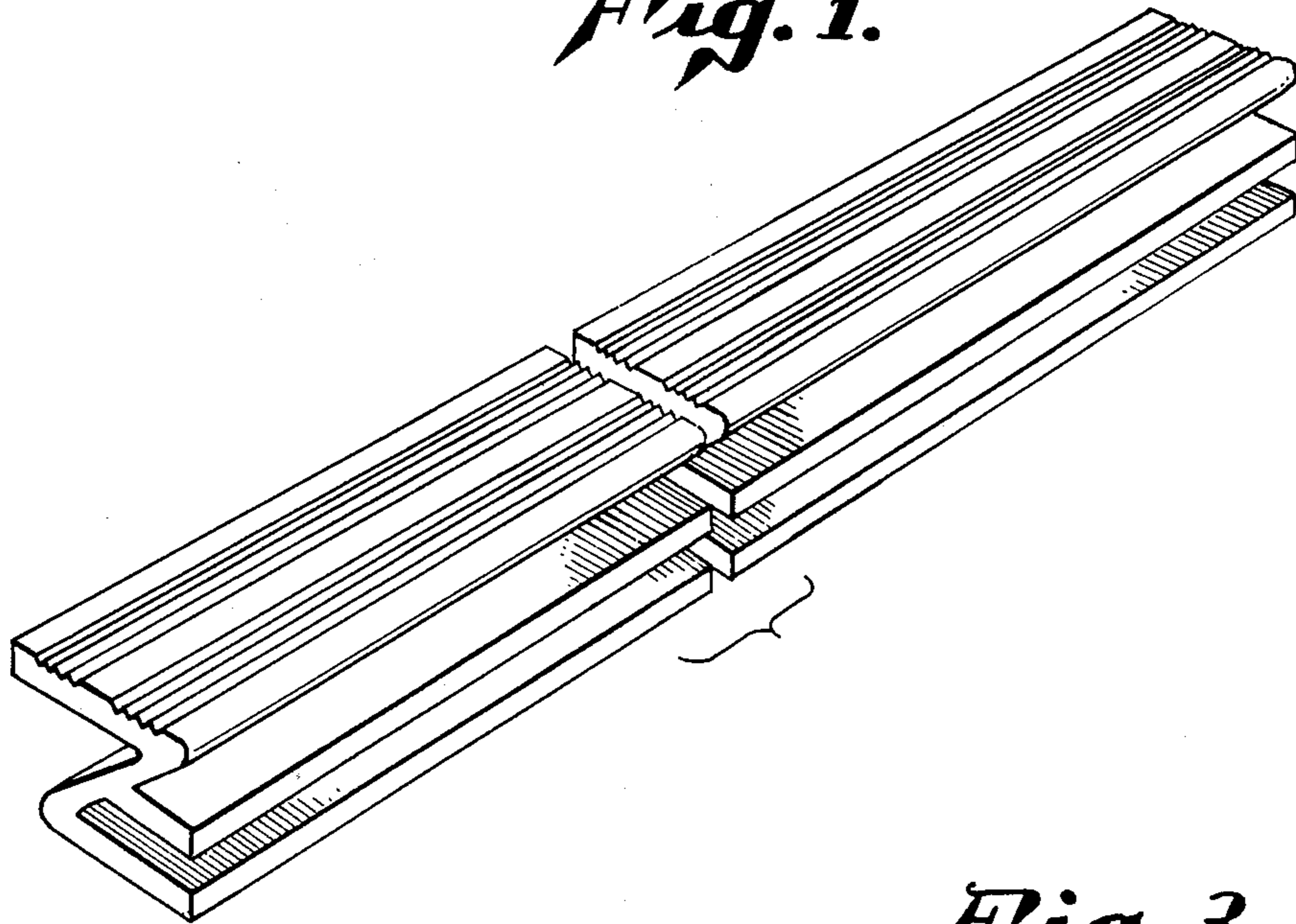


Fig. 3.

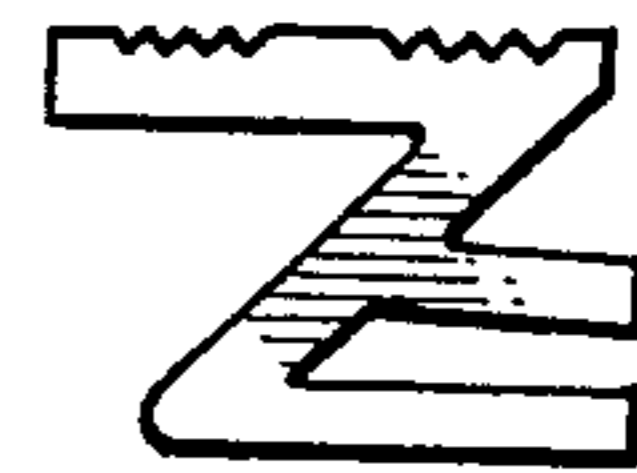


Fig. 2.

