

[54] TOY RAFT

[76] Inventor: John Alfred Park, 3626 W. Eugie Ave., Phoenix, Ariz. 85029

[**] Term: 14 Years

[21] Appl. No.: 628,167

[22] Filed: Nov. 3, 1975

[51] Int. Cl. D21-01

[52] U.S. Cl. D34/15 JJ

[58] Field of Search D34/15 AM, 15 JJ, 40-43;
D12/62, 64; 46/91, 92, 93, 94, 95, 96, 87; 272/1
B

[56]

References Cited

U.S. PATENT DOCUMENTS

2,064,128 12/1936 Smithers et al. D34/43

2,858,790 11/1958 Russell 272/1 B
2,859,458 11/1959 Calarco D34/43

OTHER PUBLICATIONS

F.A.O. Schwartz, 5-1974, p. 25, toy raft at "P".

Primary Examiner—Joel Stearman

Assistant Examiner—C. A. Rademaker

Attorney, Agent, or Firm—Richard R. Mybeck

[57]

CLAIM

The ornamental design for a toy raft, as shown and described.

DESCRIPTION

FIG. 1 is a top plan view of a toy raft showing my new design;

FIG. 2 is a side elevation view thereof;

FIG. 3 is a front perspective view thereof;

FIG. 4 is an end elevational view thereof.

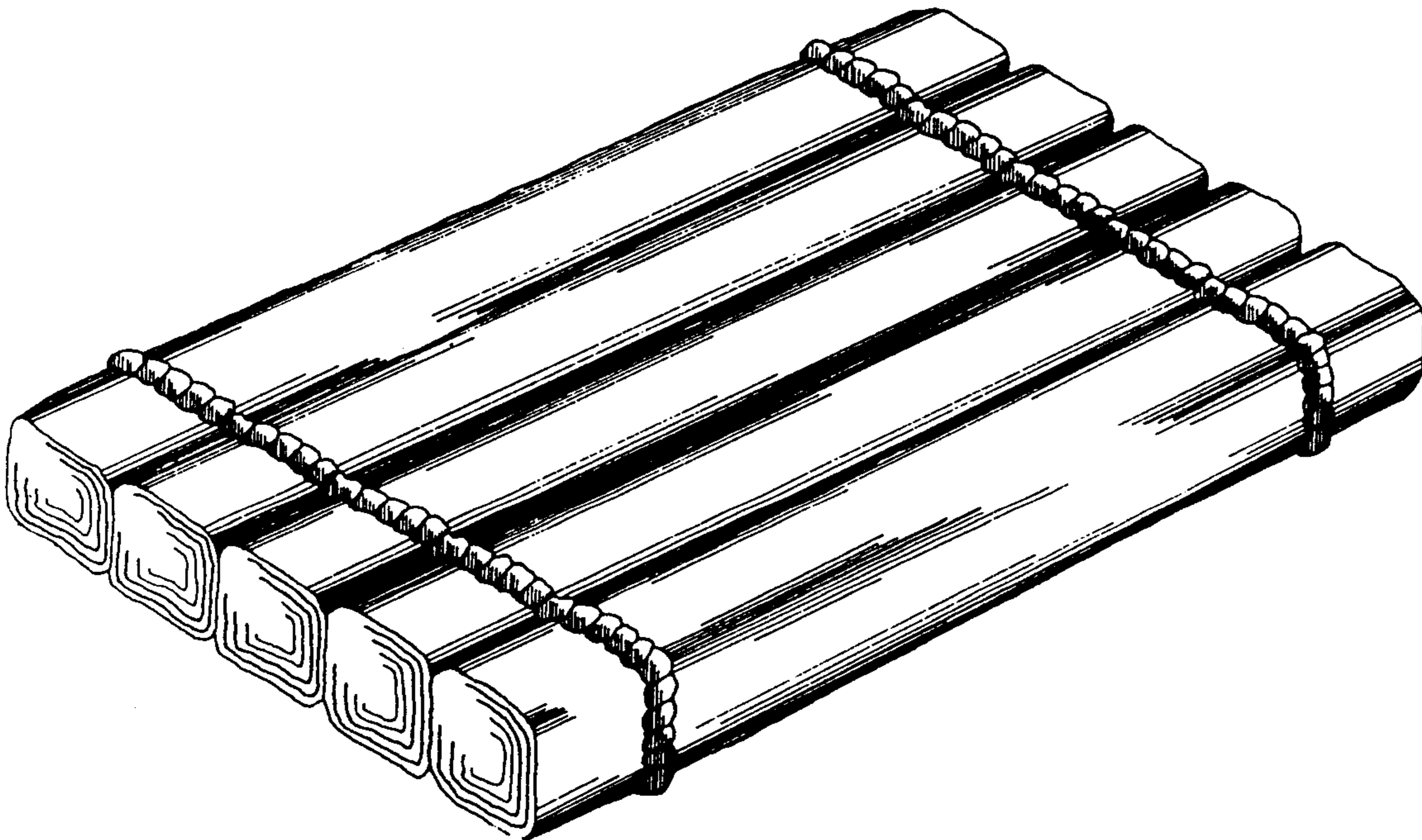


FIG. 1

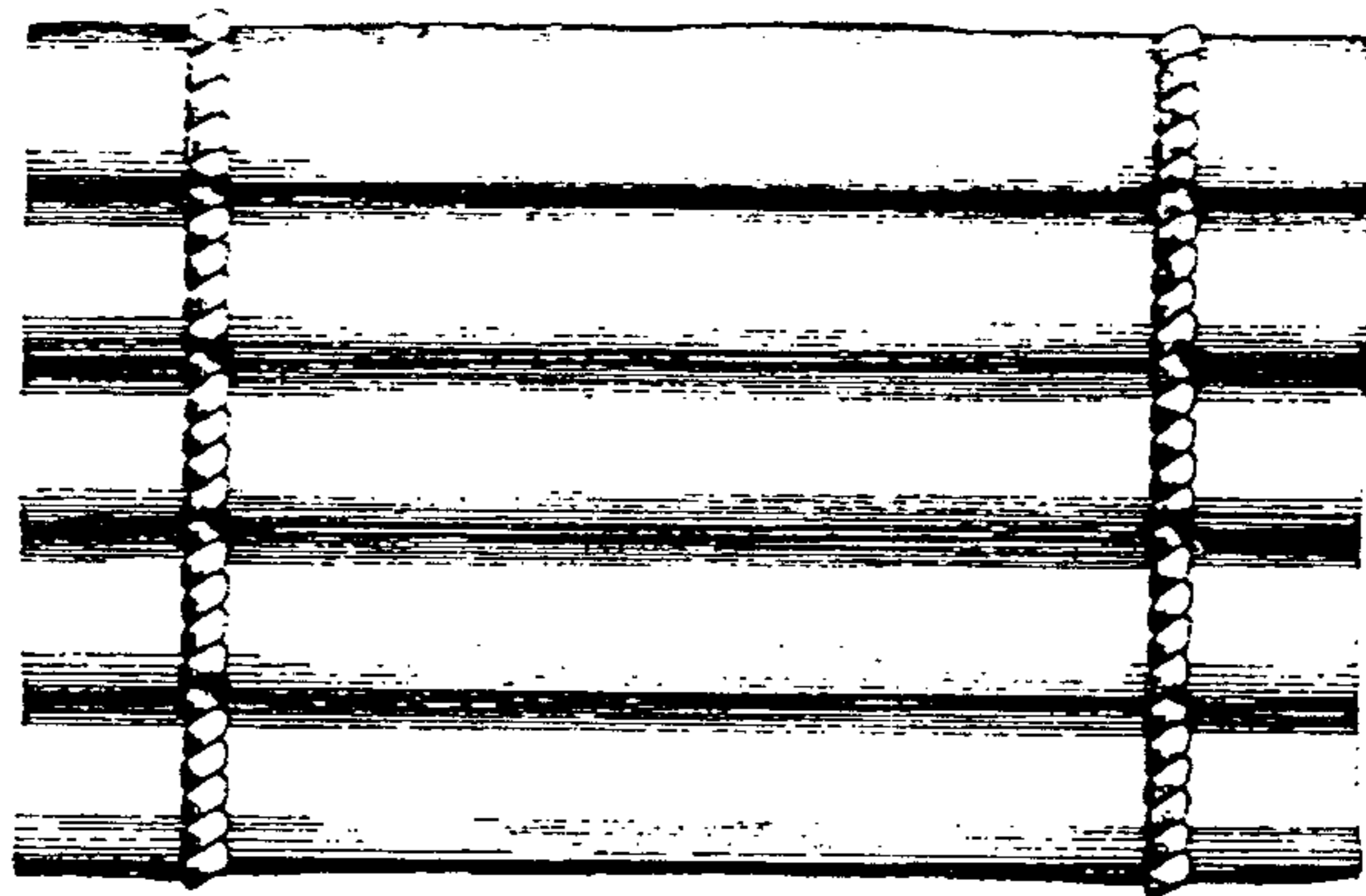


FIG. 2

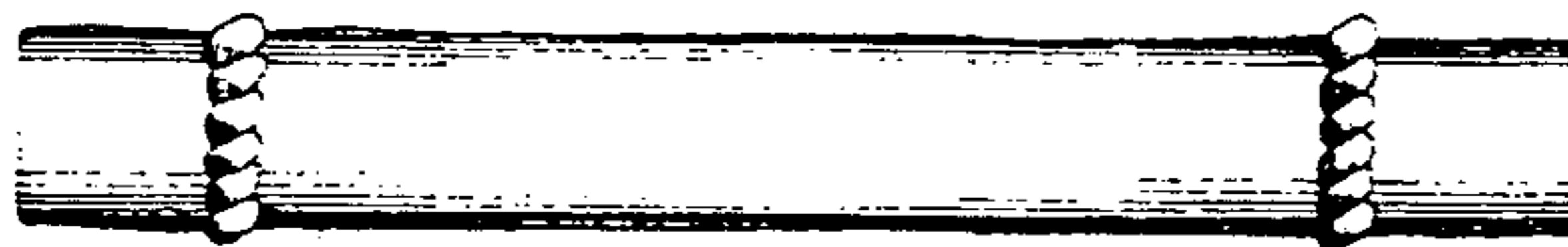


FIG. 3

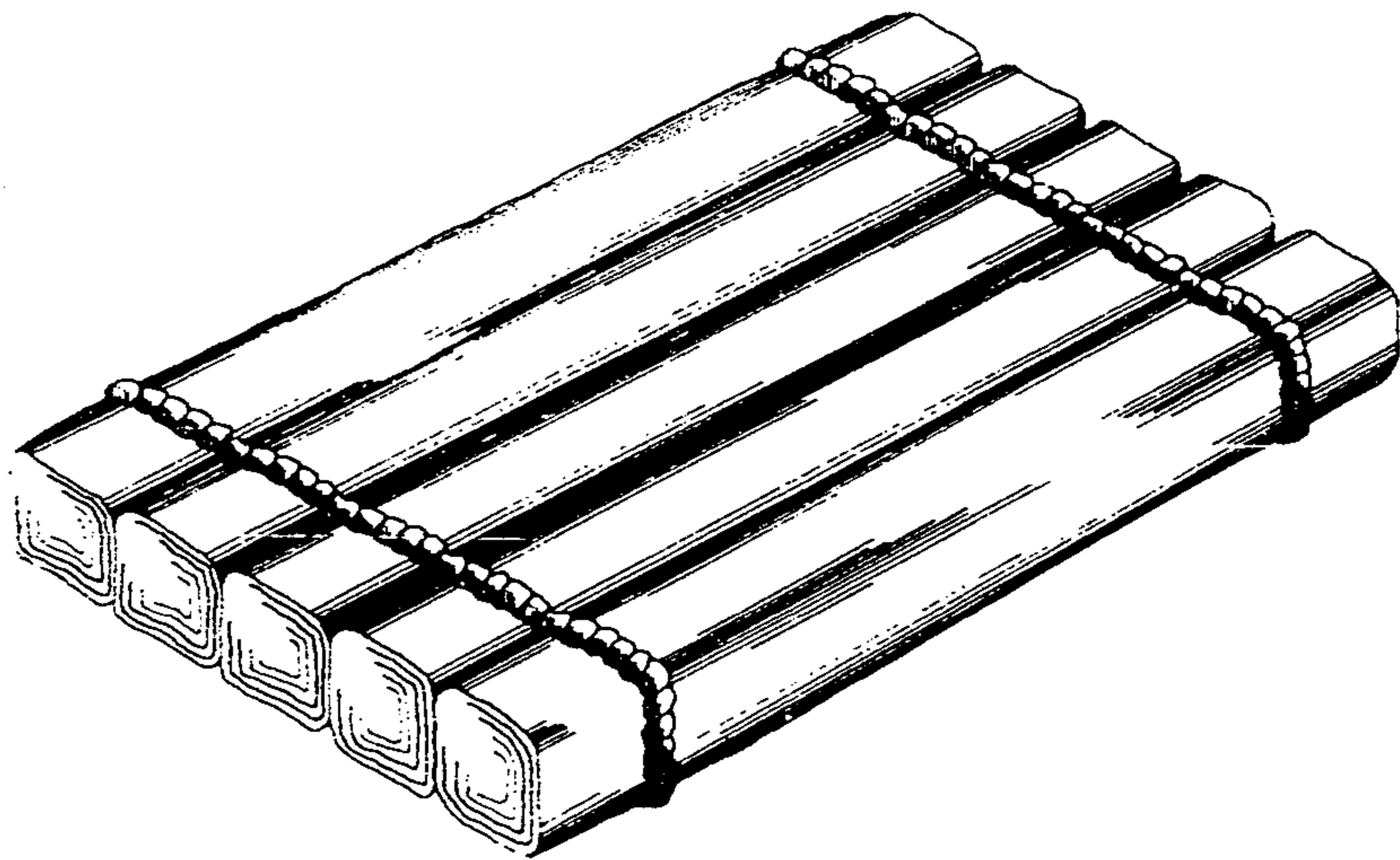


FIG. 4

