

[54] **DIVOT REPAIR TOOL FOR GOLFERS**

[76] **Inventor:** Melvin G. McClaskie, 1058 Oakway Court, Columbus, Ohio 43228

[**] **Term:** 14 Years

[21] **Appl. No.:** 674,371

[22] **Filed:** Apr. 7, 1976

[51] **Int. Cl.** D21-02
[52] **U.S. Cl.** D34/5 CB
[58] **Field of Search** D34/5 CB; 273/32 B;
D87/8, 8.1, 8.2, 8.3, 8.4; D8/16, 17, 18, 19;
D7/106, 42

[56] **References Cited**

U.S. PATENT DOCUMENTS

D. 197,342	1/1964	Doble	D34/5 CB
D. 225,756	1/1973	Stephens et al.	D34/5 CB
2,836,998	6/1958	White	D8/18
3,763,515	10/1973	Voss	D34/5 CB

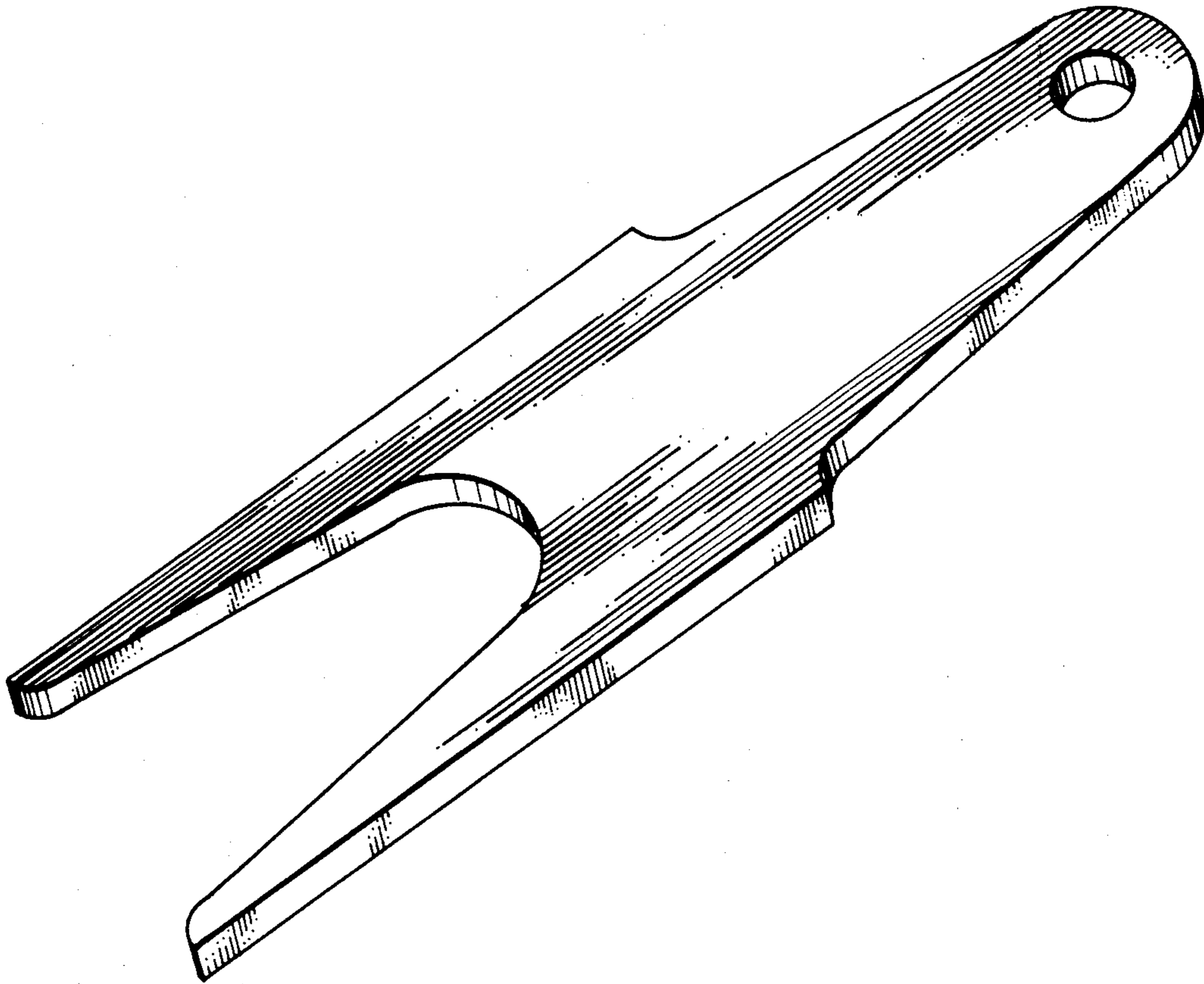
Primary Examiner—Melvin B. Feifer
Attorney, Agent, or Firm—Palmer Fultz

[57] **CLAIM**

The ornamental design for a divot repair tool for golfers, as shown and described.

DESCRIPTION

FIG. 1 is a front view of the divot repair tool for golfers showing my new design; FIG. 2 is a side view thereof; and FIG. 3 is a perspective view thereof. The side not shown is the same as that shown.



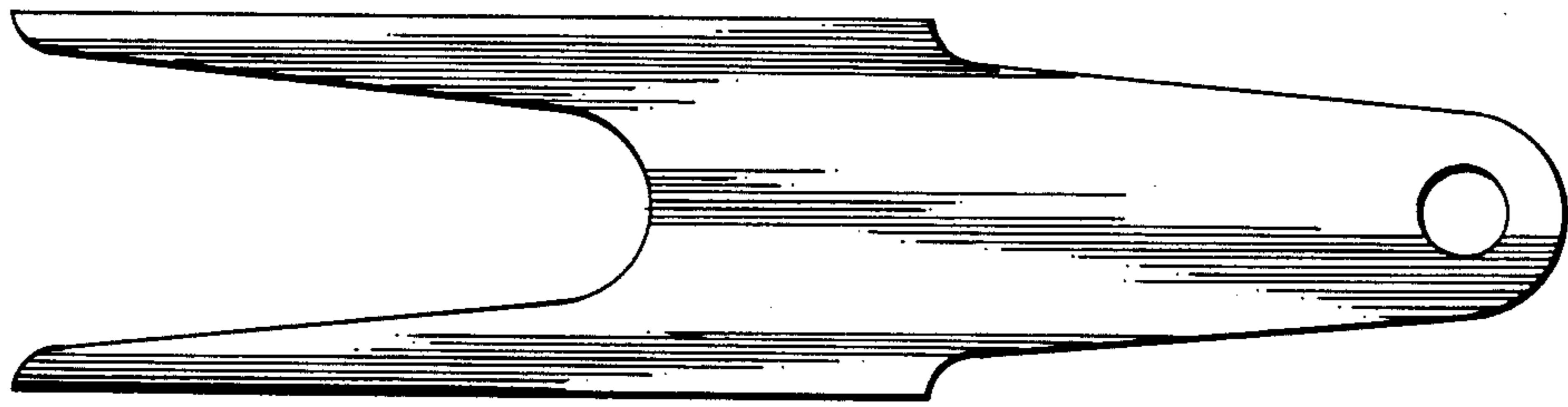


FIG. 1



FIG. 2

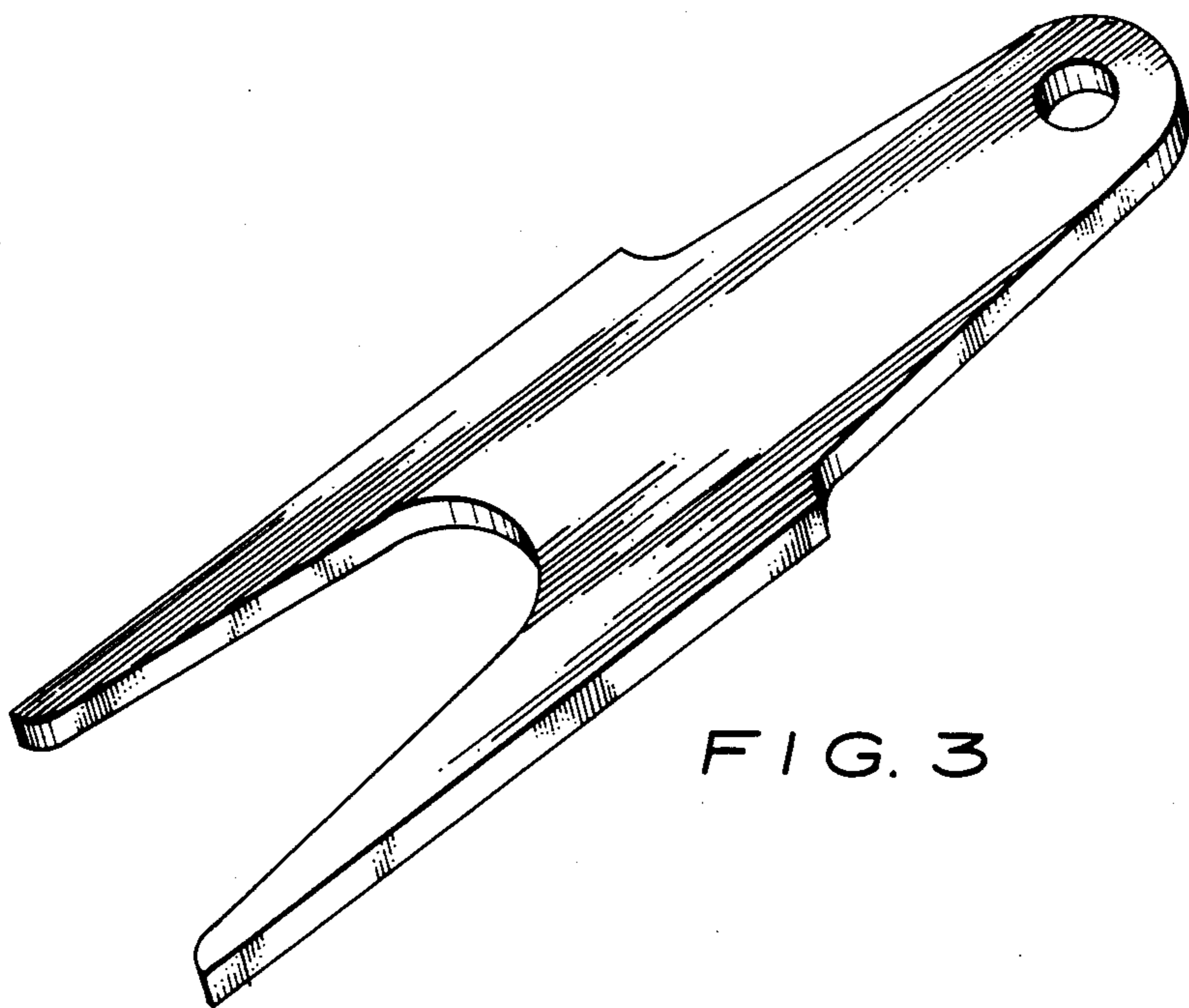


FIG. 3