

[54] STORM WINDOW

[76] Inventor: Norm Damiana, 1245 S. Inca St., Denver, Colo. 80223

[**] Term: 14 Years

[21] Appl. No.: 699,514

[22] Filed: June 24, 1976

[51] Int. Cl. D25-02

[52] U.S. Cl. D25/52

[58] Field of Search 49/397, 463; D25/47, D25/52, 53, 80

[56] References Cited

U.S. PATENT DOCUMENTS

2,889,900	6/1959	Singleton	49/397 X
3,212,140	10/1965	Byrka	49/397 X
3,331,161	7/1967	Ruff	49/397
3,433,957	3/1969	Nelson	49/463 X

FOREIGN PATENT DOCUMENTS

1,185,192 3/1970 United Kingdom 49/397

Primary Examiner—A. Hugo Word

[57] CLAIM

The ornamental design for a storm window, as shown.

DESCRIPTION

FIG. 1 is a front elevation of the storm window of the present invention.

FIG. 2 is a left side elevation of the storm window as shown in FIG. 1.

FIG. 3 is a top plan view of the storm window as shown in FIG. 1.

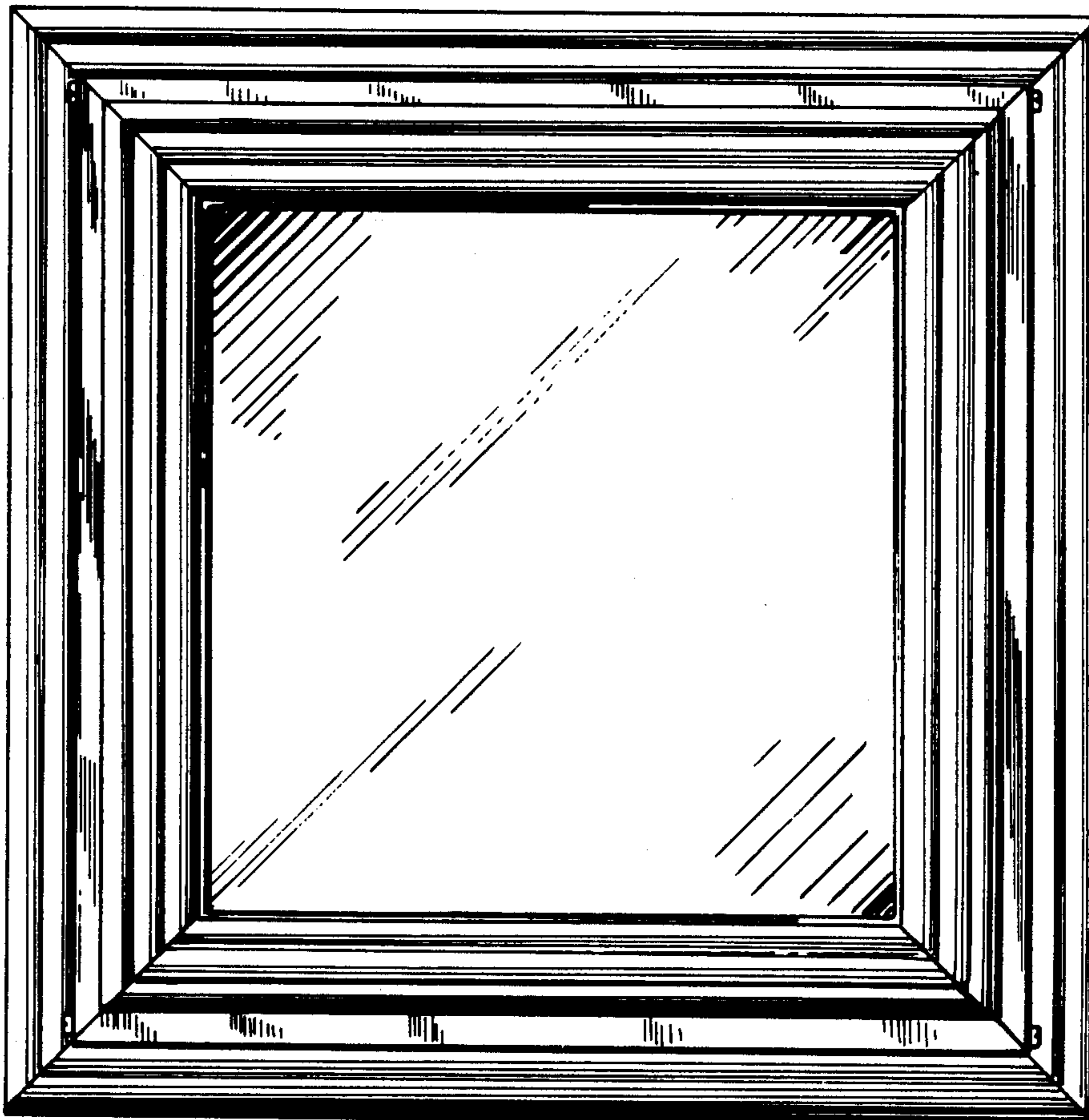
FIG. 4 is a bottom plan view of the storm window as shown in FIG. 1.

FIG. 5 is a rear elevation of the storm window of the present invention.

FIG. 6 is a perspective view of the storm window of the present invention.

FIG. 7 is an enlarged fragmentary sectional view taken along line 7-7 of FIG. 6.

FIG. 8 is an enlarged fragmentary section taken along line 8-8 of FIG. 6.



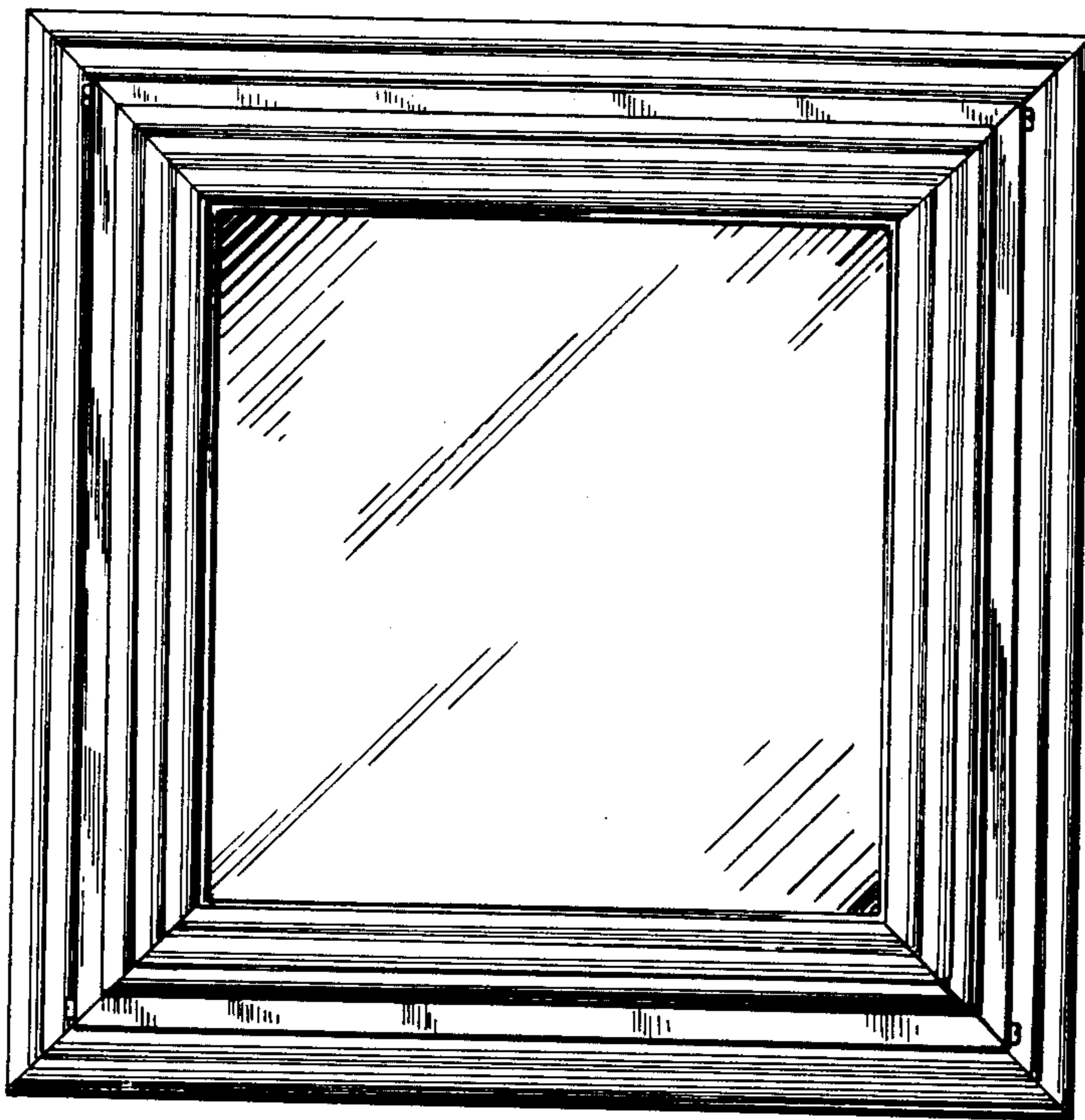


Fig-1

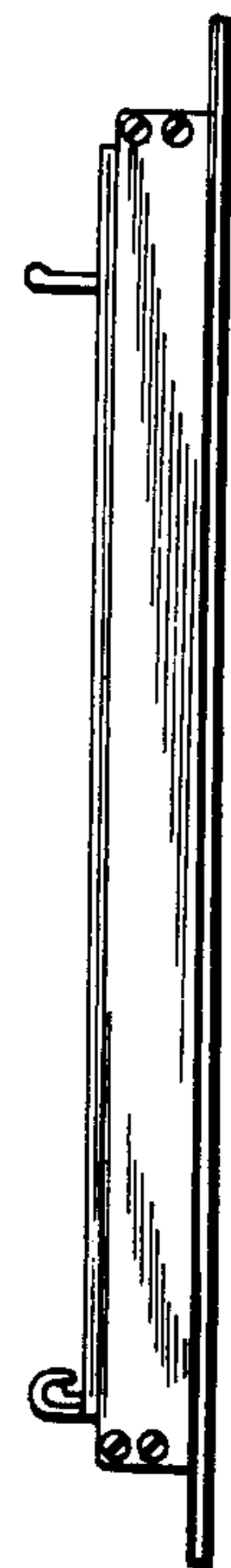


Fig-2

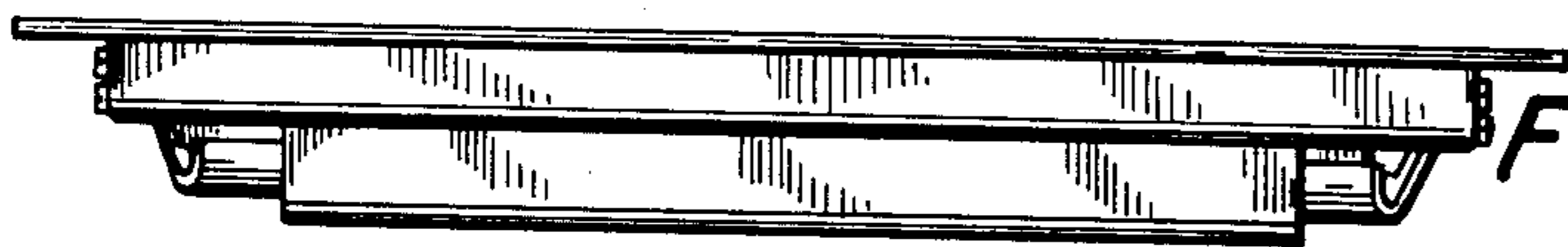


Fig-3

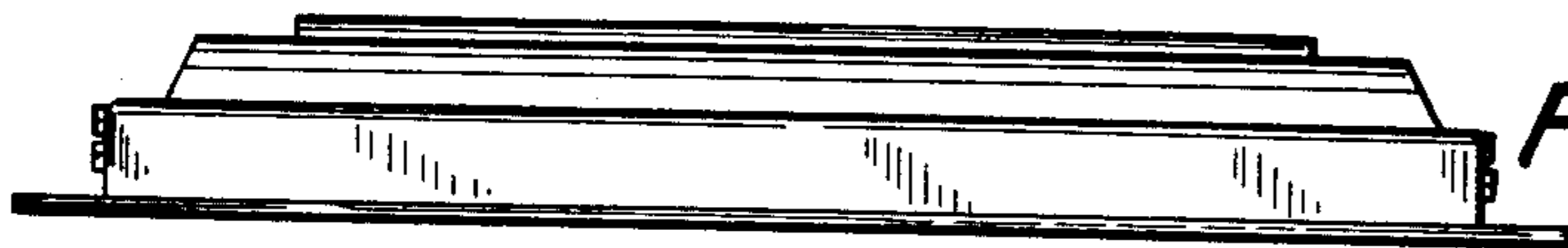


Fig-4

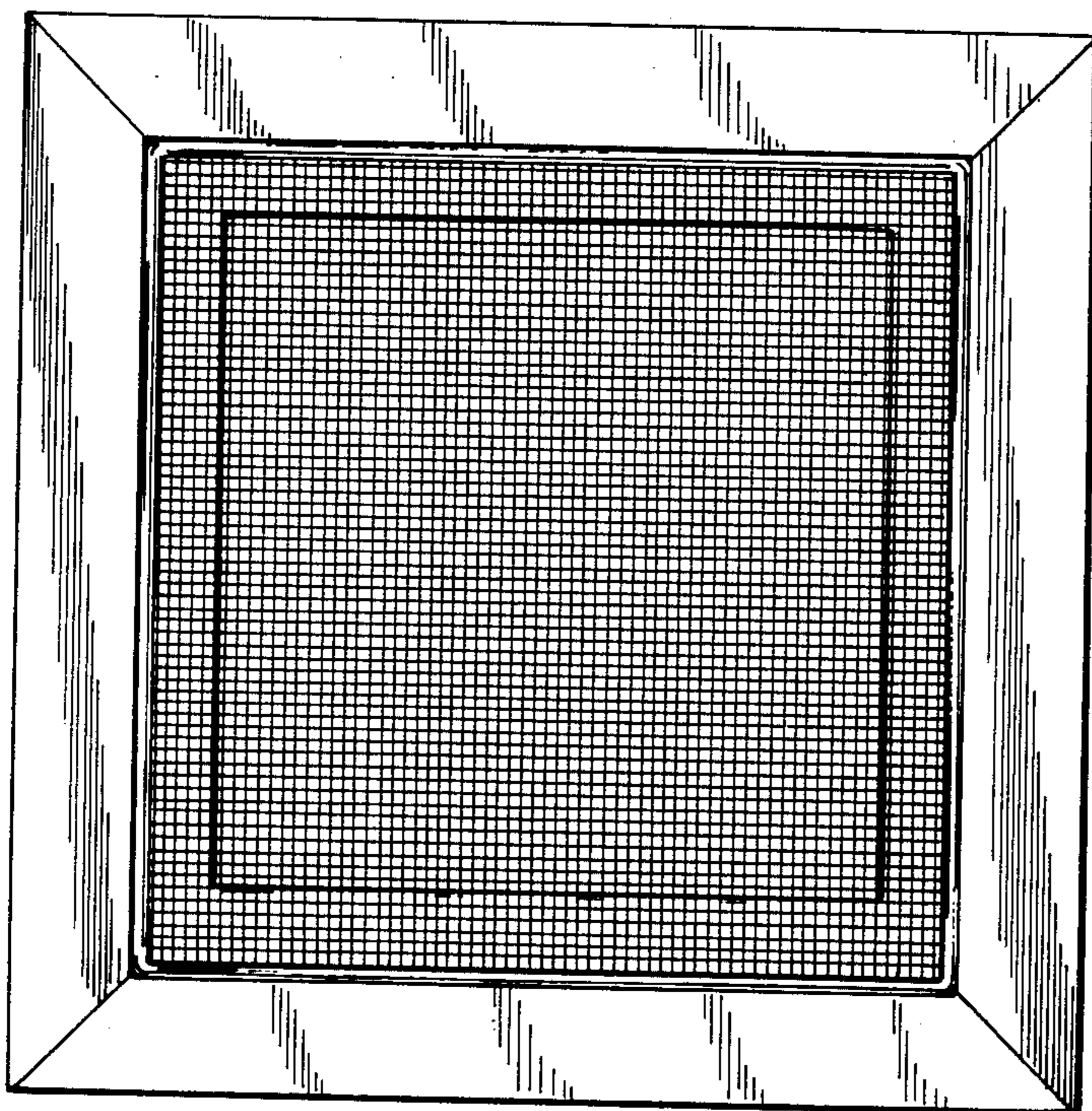
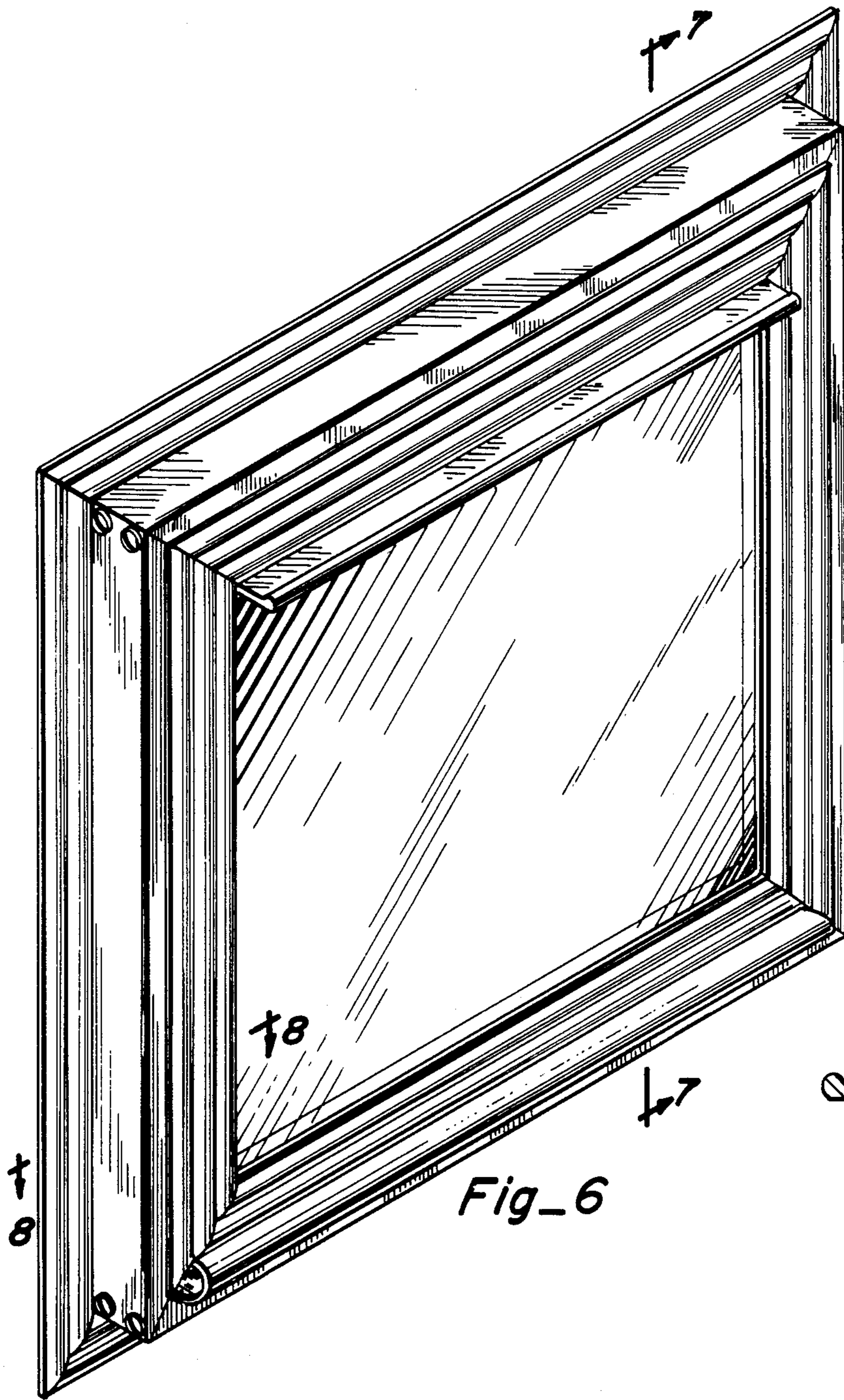
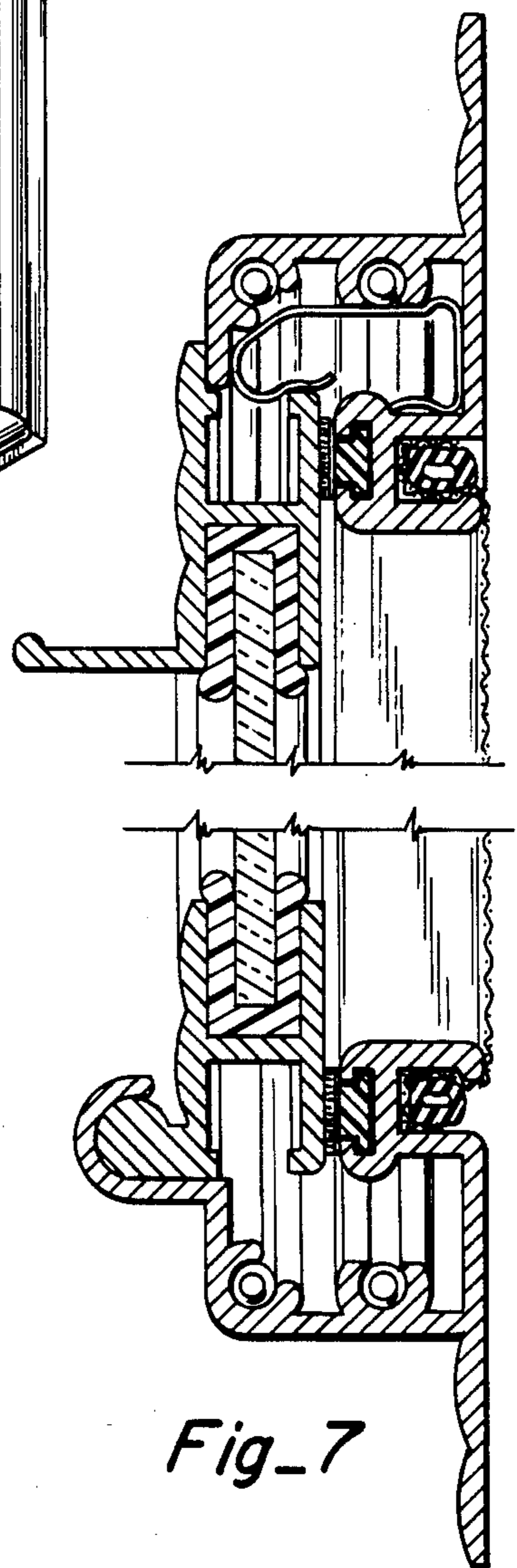


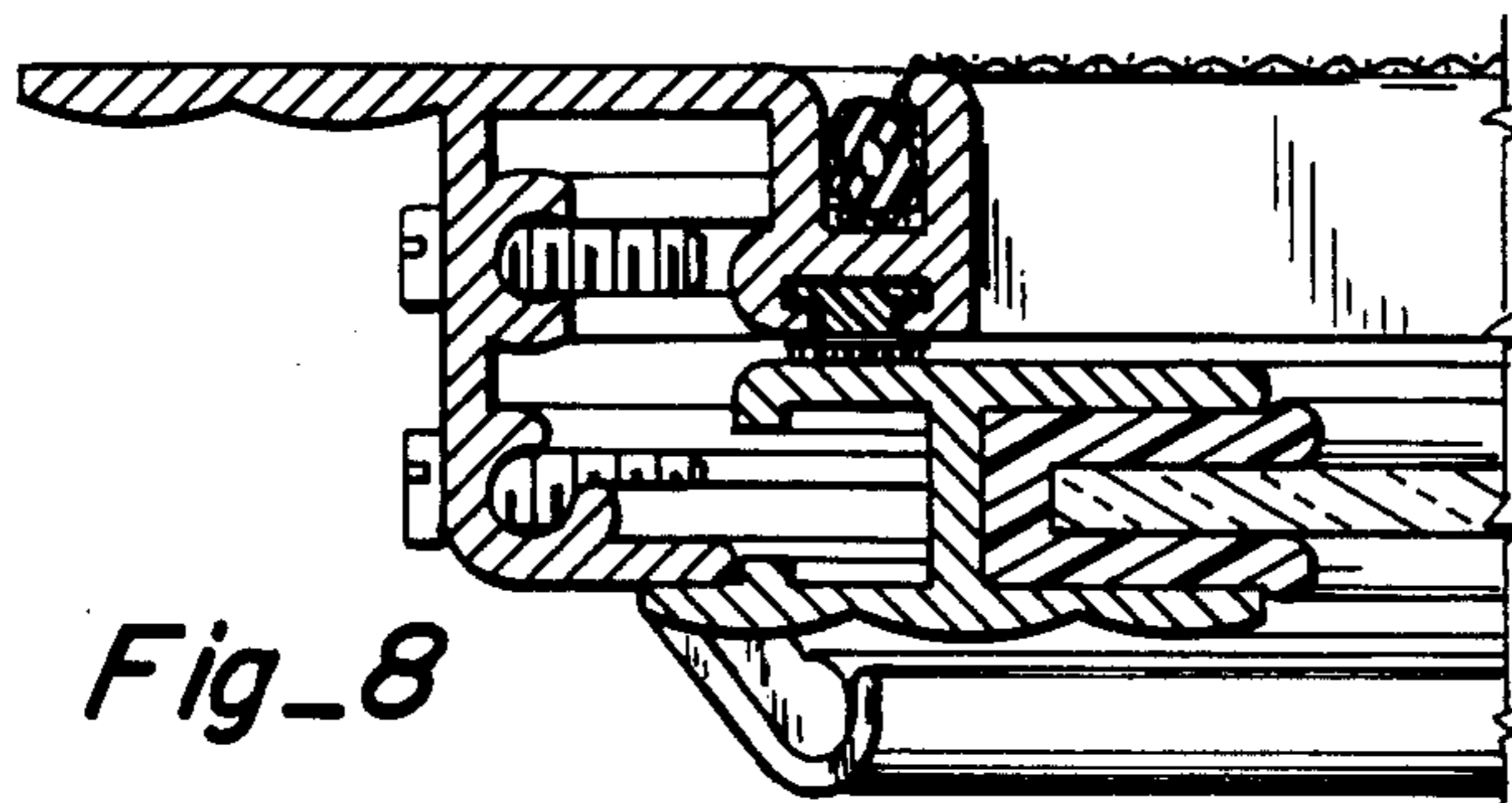
Fig-5



Fig_6



Fig_7



Fig_8