

[54] COMBINED BATHTUB AND LIFTING UNIT

[76] Inventor: Hans Arne Valentin Johansson,
Treharadsvagen 36, 241 OO Eslov,
Sweden

[**] Term: 14 Years

[21] Appl. No.: 665,530

[22] Filed: Mar. 10, 1976

[51] Int. Cl. D23-02

[52] U.S. Cl. D23/56

[58] Field of Search D23/48-50,
D23/55-57; 4/1-5, 10, 146, 148, 152-155, 173,
178, 180, 185 S, 185 AB, 185 L

[56]

References Cited

U.S. PATENT DOCUMENTS

2,560,997	7/1951	Thompson	4/185 L
2,604,638	7/1952	Furry	4/185 L
3,842,449	10/1974	Geurtsen et al.	4/173
3,889,304	6/1975	Loren	4/185 L

Primary Examiner—James R. Largen
Attorney, Agent, or Firm—John J. Dennemeyer

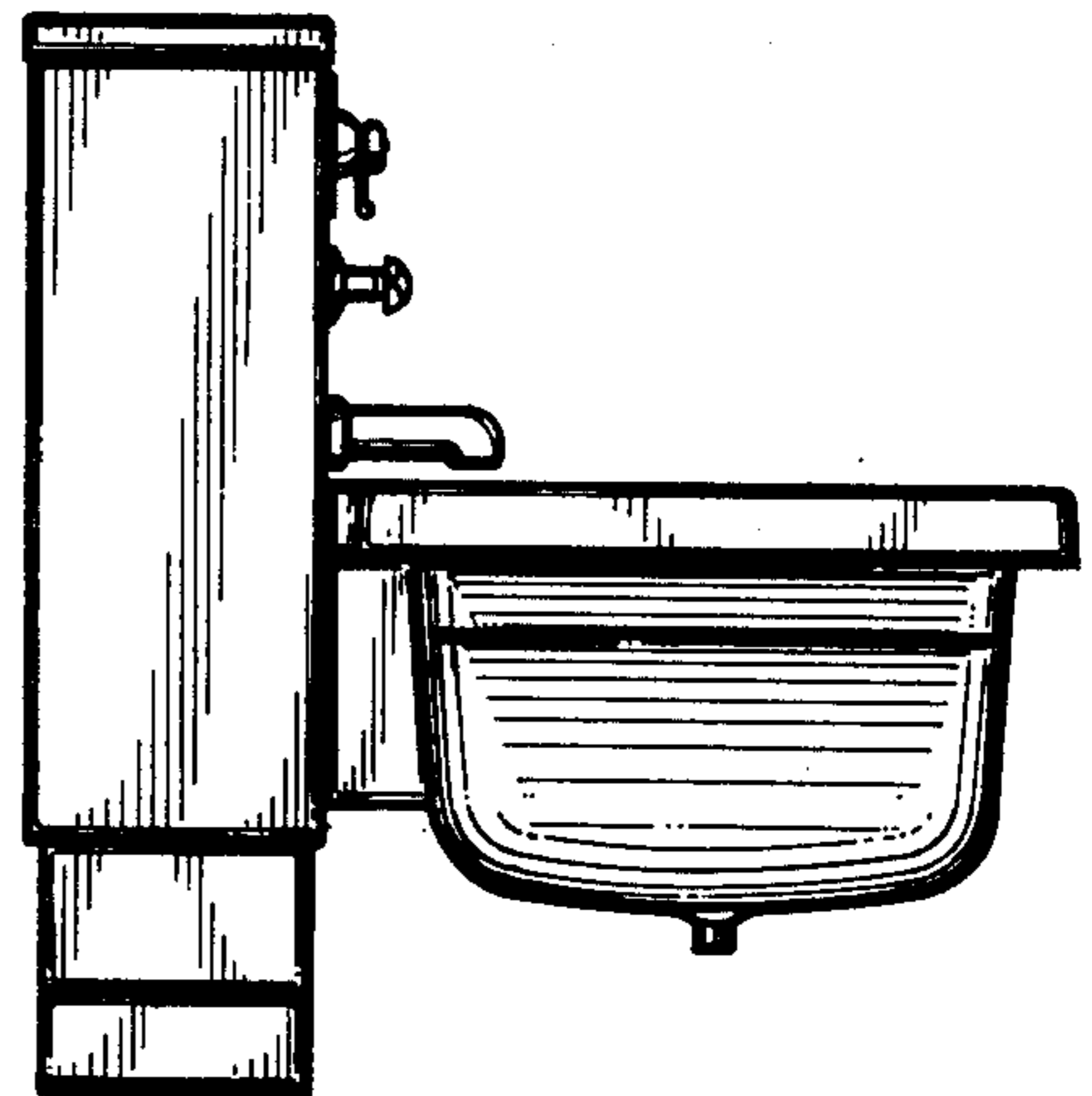
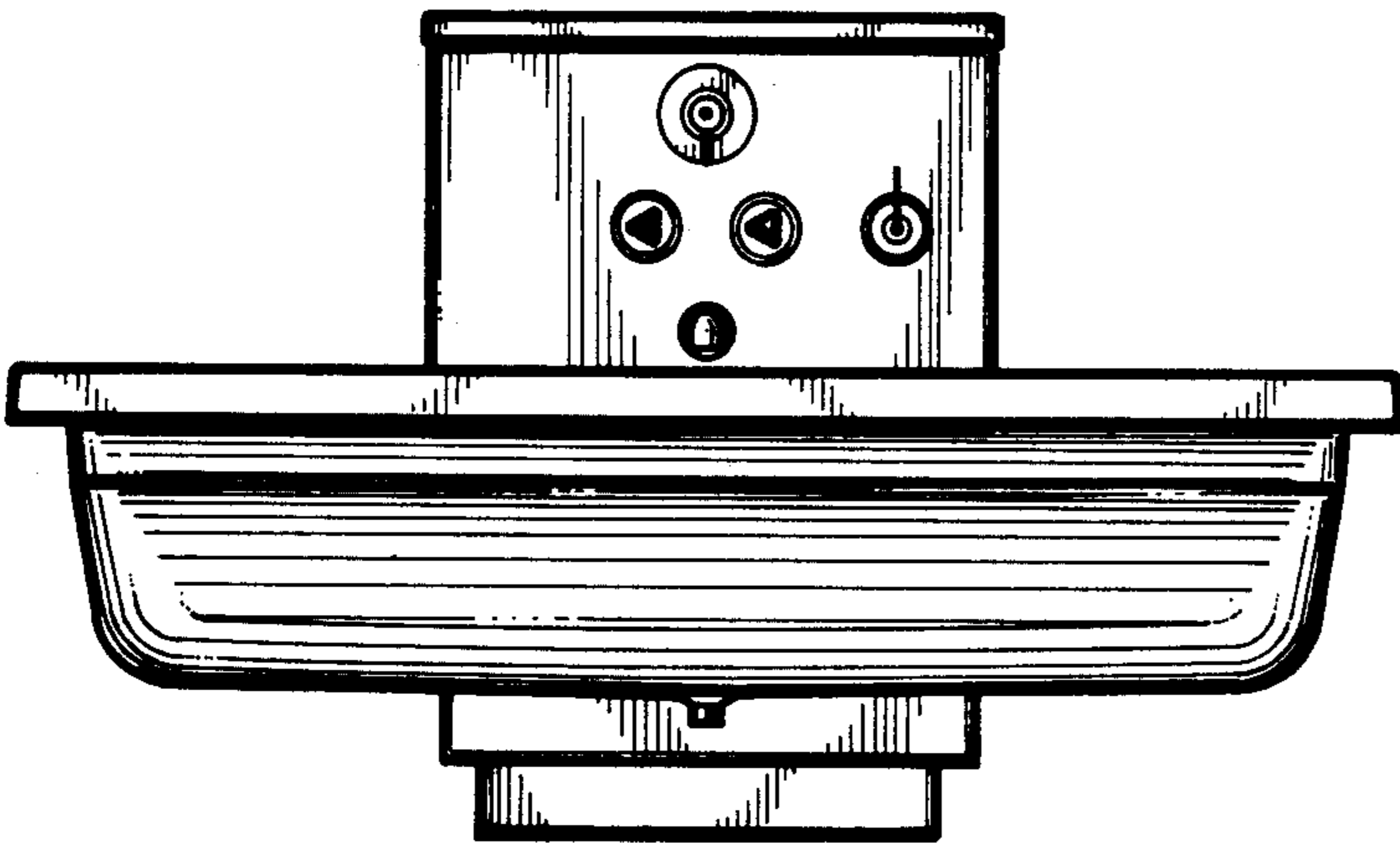
[57]

CLAIM

The ornamental design of a combined bathtub and lifting unit, as shown and described.

DESCRIPTION

FIG. 1 is a front elevational view of a combined bathtub and lifting unit showing my new design;
FIG. 2 is a left side elevational view thereof;
FIG. 3 is a top plan view thereof; and
FIG. 4 is a rear elevational view thereof.



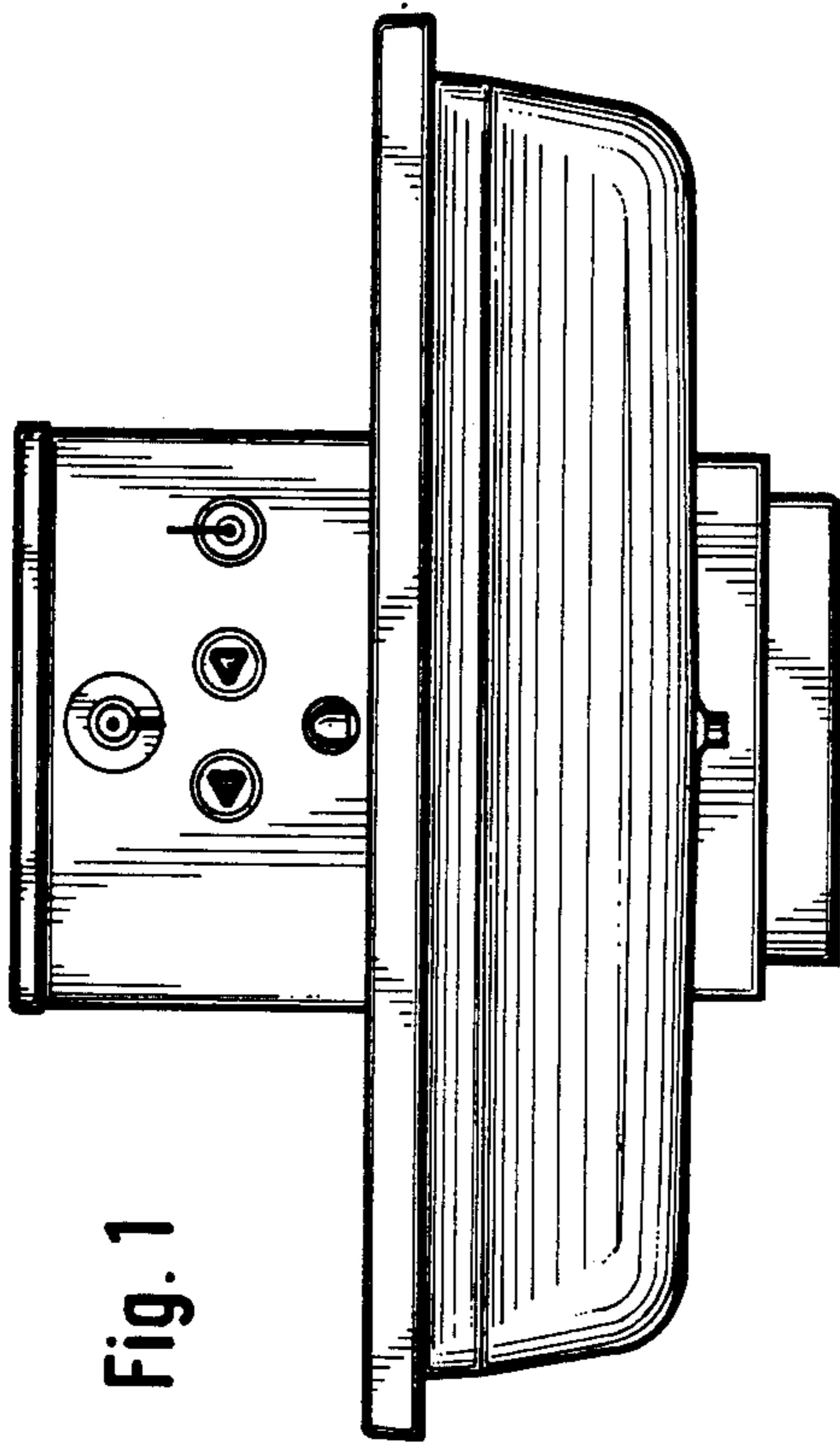


Fig. 1

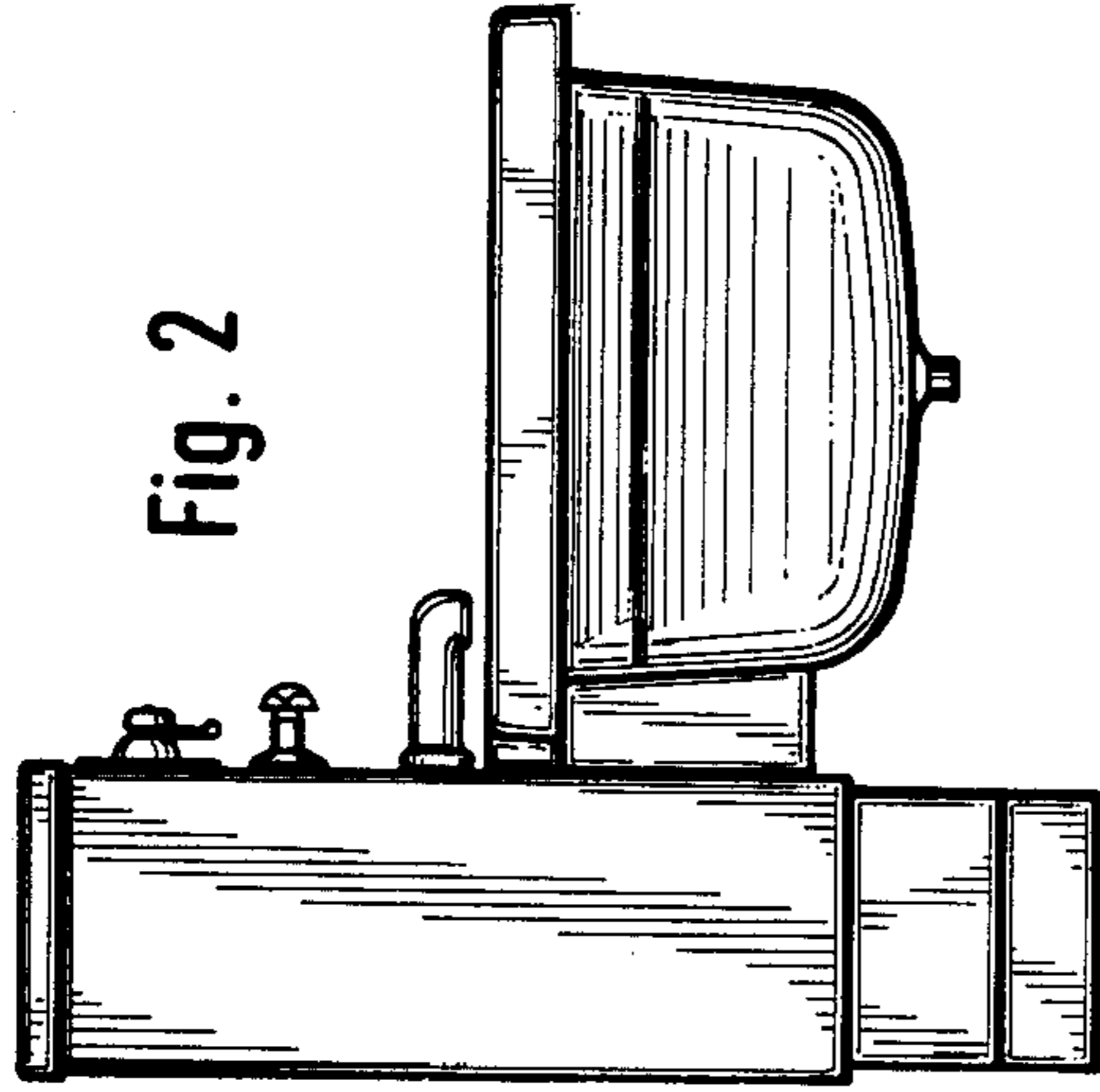


Fig. 2

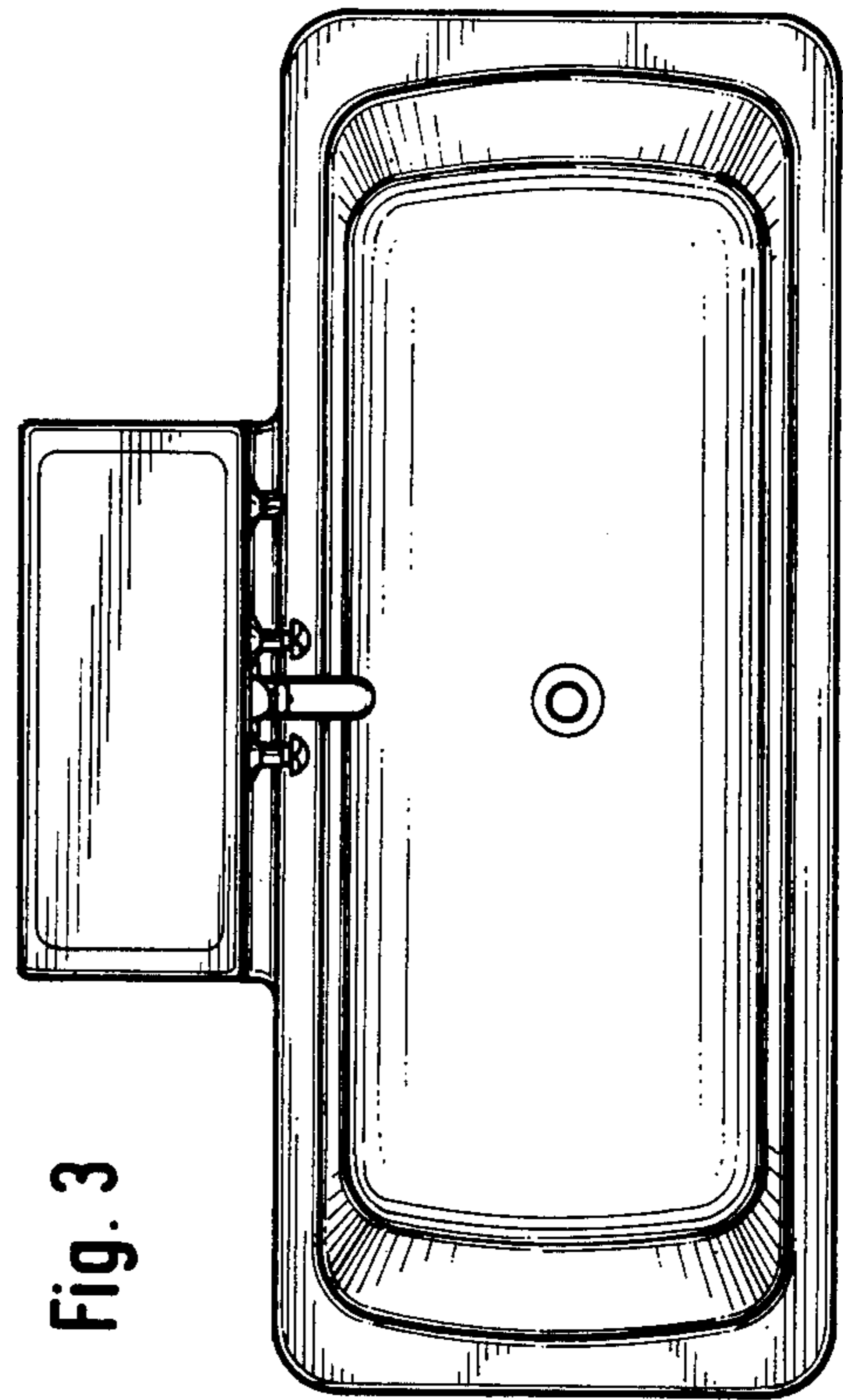


Fig. 3

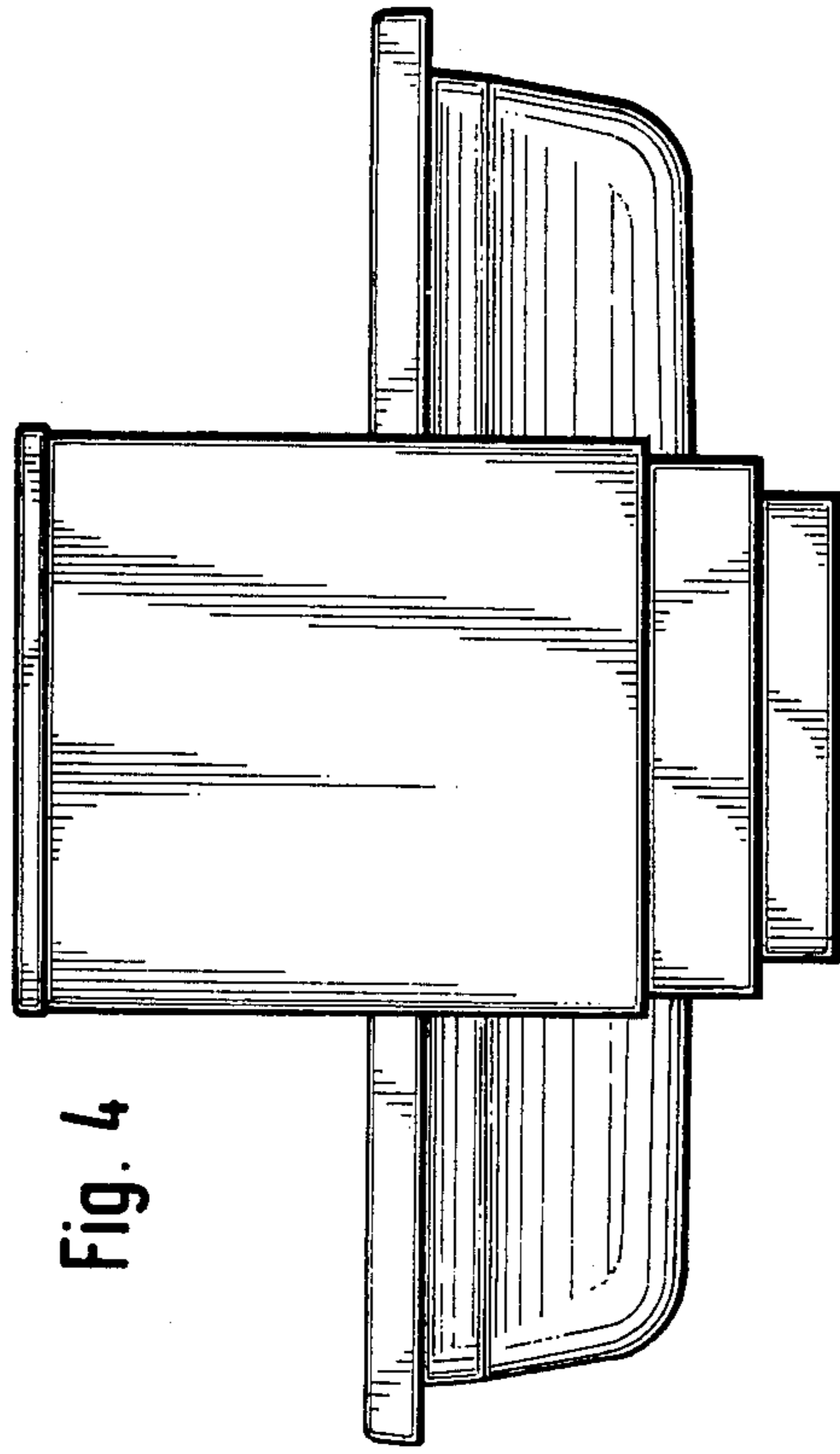


Fig. 4