

[54] MOBILE TILTABLE STAND FOR A LOUDSPEAKER

[75] Inventor: Harry Brodmann, Wolverhampton, England

[73] Assignee: C.A. Moon (Holdings) Limited, West Midlands, Great Britain

[**] Term: 14 Years

[21] Appl. No.: 744,988

[22] Filed: Nov. 26, 1976

[30] Foreign Application Priority Data

Oct. 6, 1976 United Kingdom 977422/76

[51] Int. Cl. D14-99

[52] U.S. Cl. D14/38

[58] Field of Search D12/25, 29; D14/38; D6/85, 29; 280/47.34, 47.35, 79.1, 79.2, 79.3; 211/71, 126, 133, 134; 108/59; 248/129, 176, 371, 13

[56] References Cited

U.S. PATENT DOCUMENTS

D. 227,324 6/1973 Rauch D6/85
D. 239,629 4/1976 Wiener D14/38
2,419,422 4/1947 Schulein 248/129

FOREIGN PATENT DOCUMENTS

1,909,391 9/1969 Germany 280/79.1

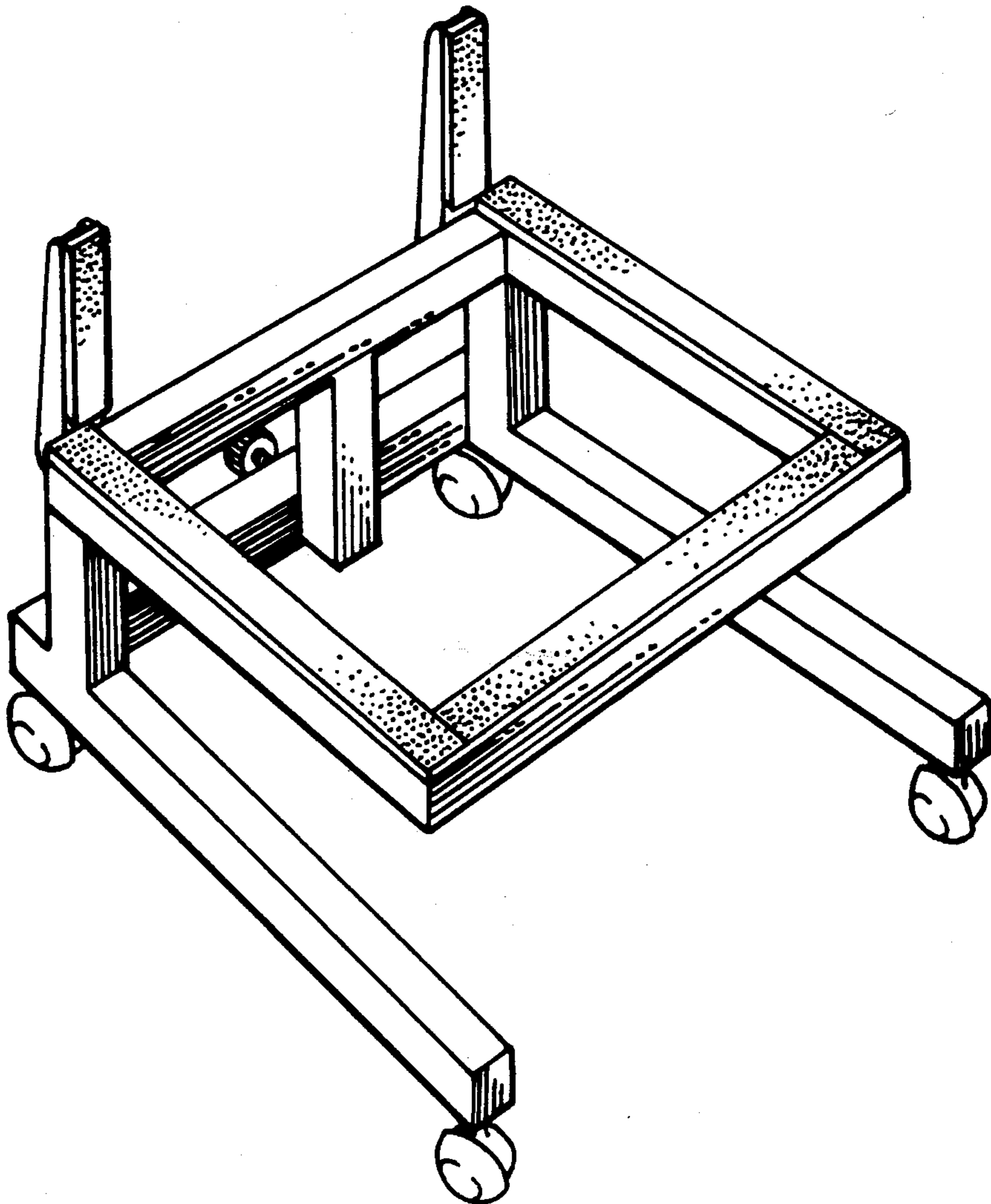
Primary Examiner—Wallace R. Burke
Assistant Examiner—James M. Gandy
Attorney, Agent, or Firm—Melvin R. Jenney

[57] CLAIM

The ornamental design for a mobile tiltable stand for a loudspeaker, as shown.

DESCRIPTION

FIG. 1 is a perspective view of the mobile tiltable stand for a loudspeaker showing my new design.
FIG. 2 is a side elevational view thereof.
FIG. 3 is a top plan view thereof.
FIG. 4 is a front elevational view thereof, and
FIG. 5 is a rear elevational view thereof.



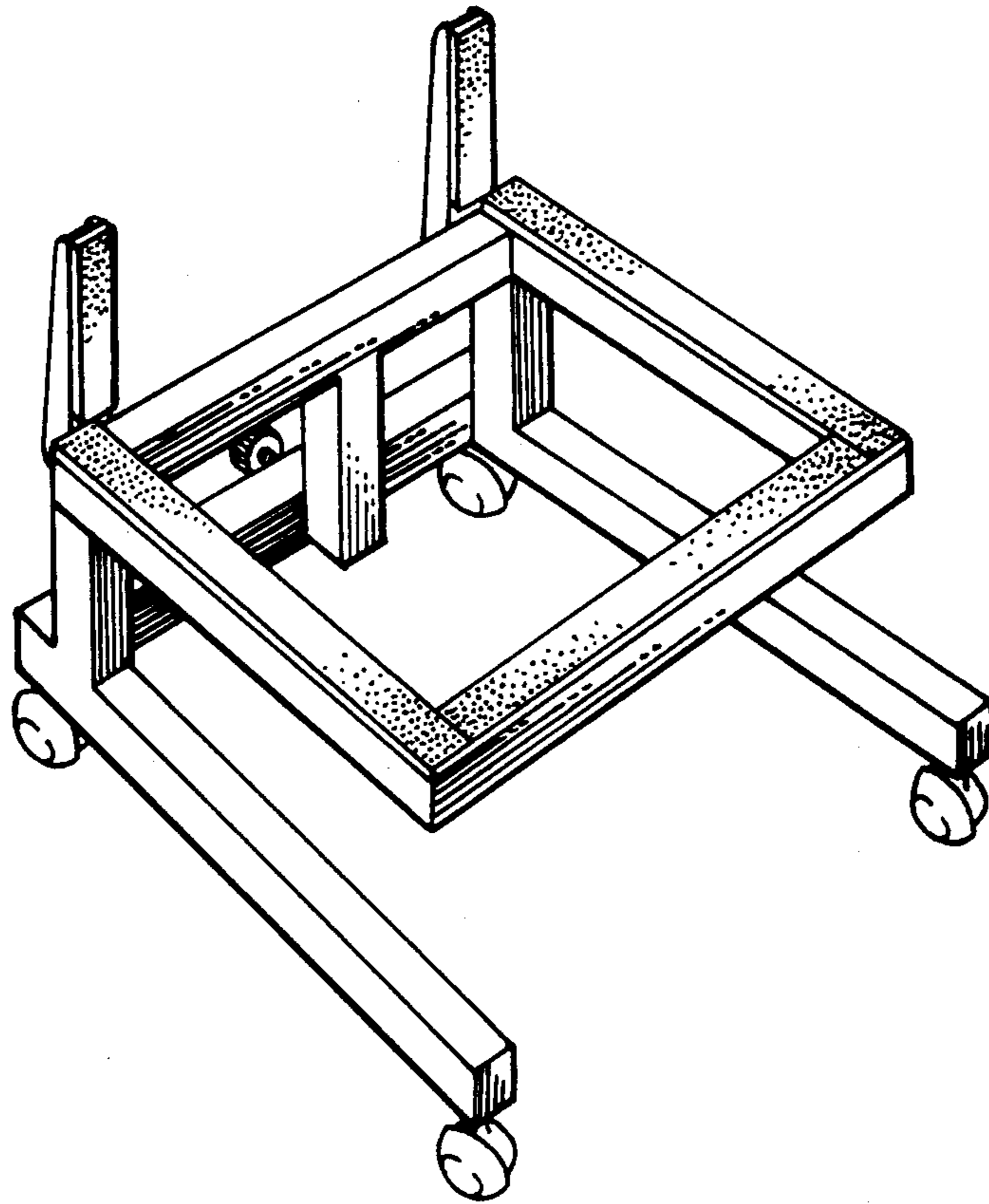
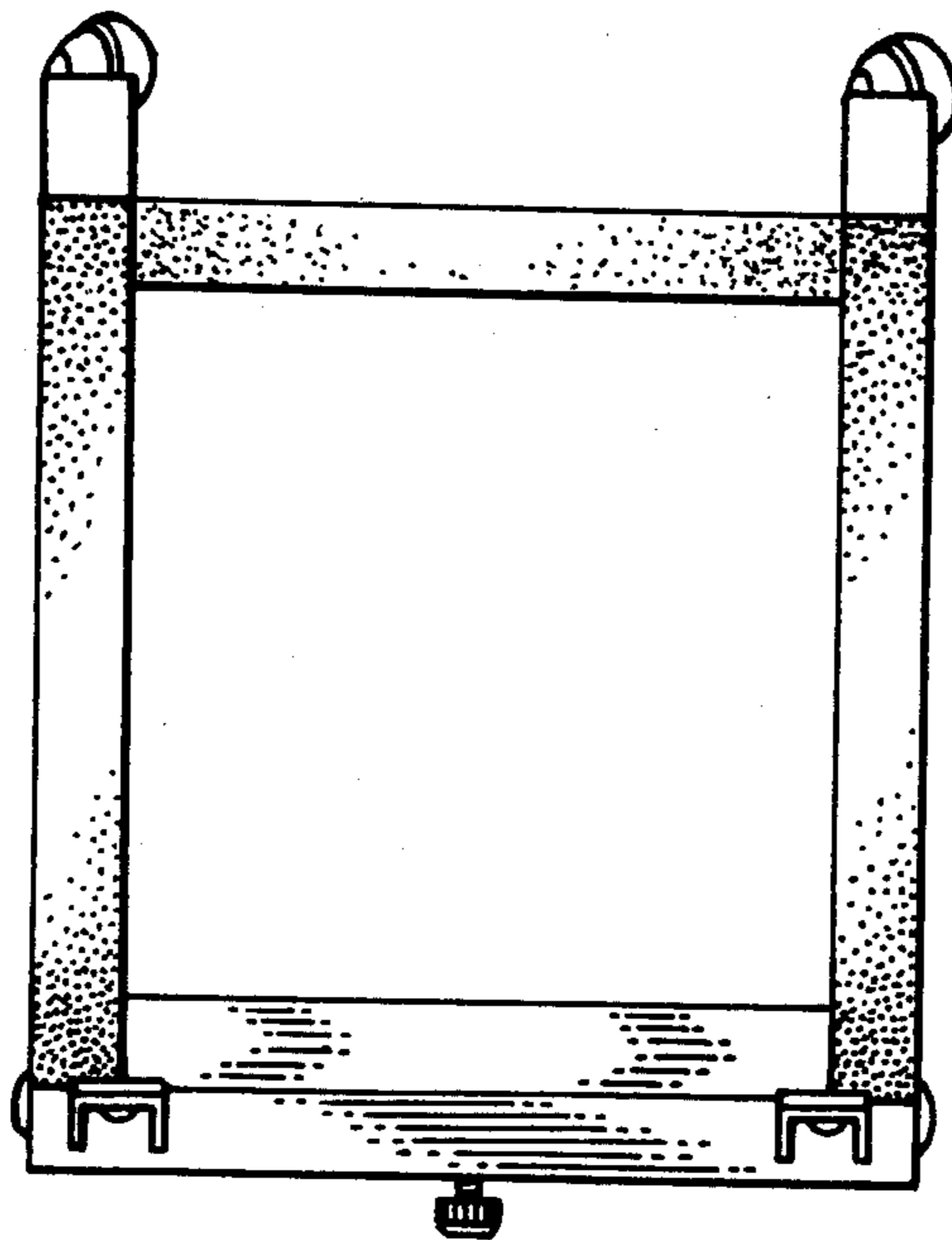
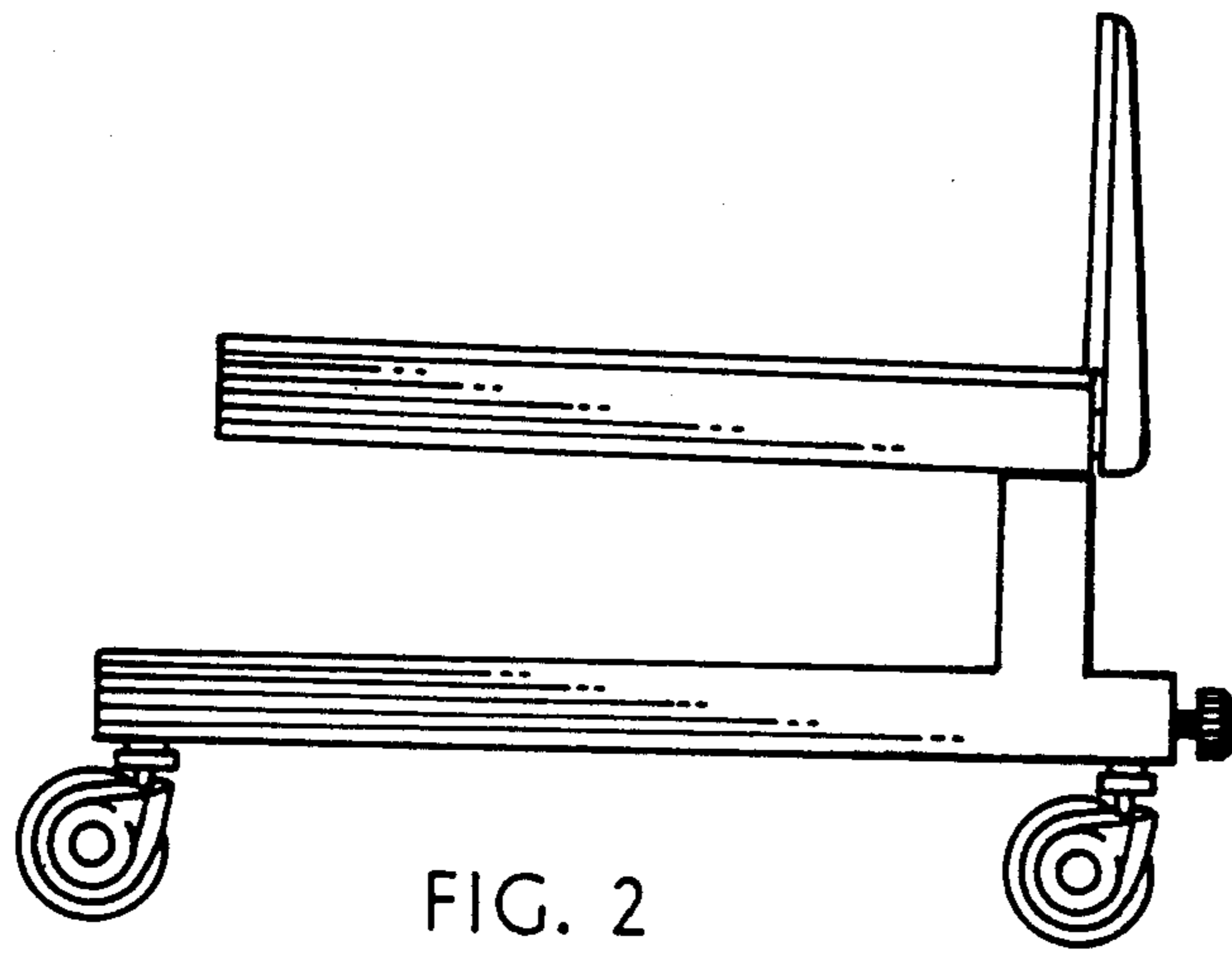


FIG. 1



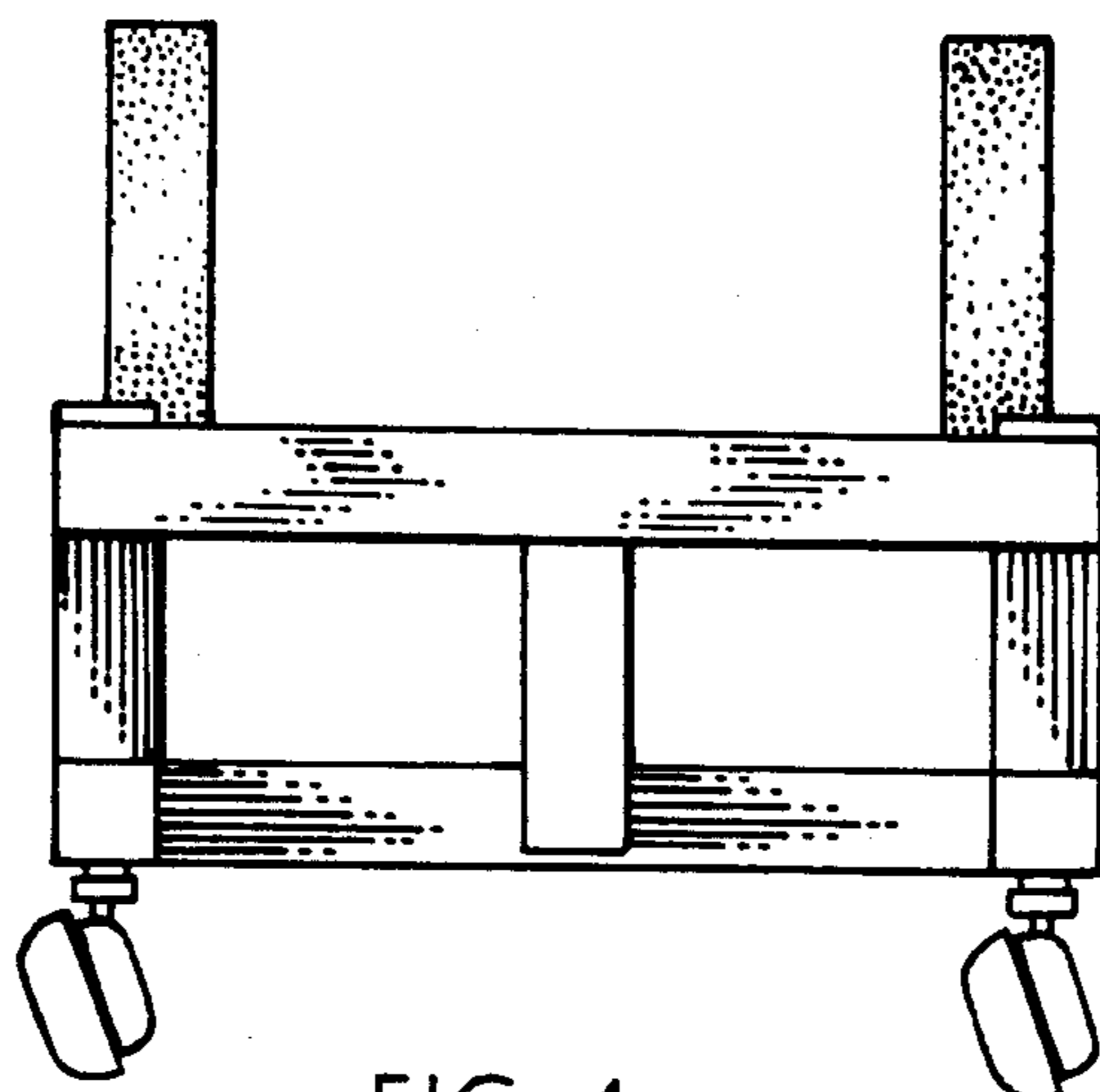


FIG. 4

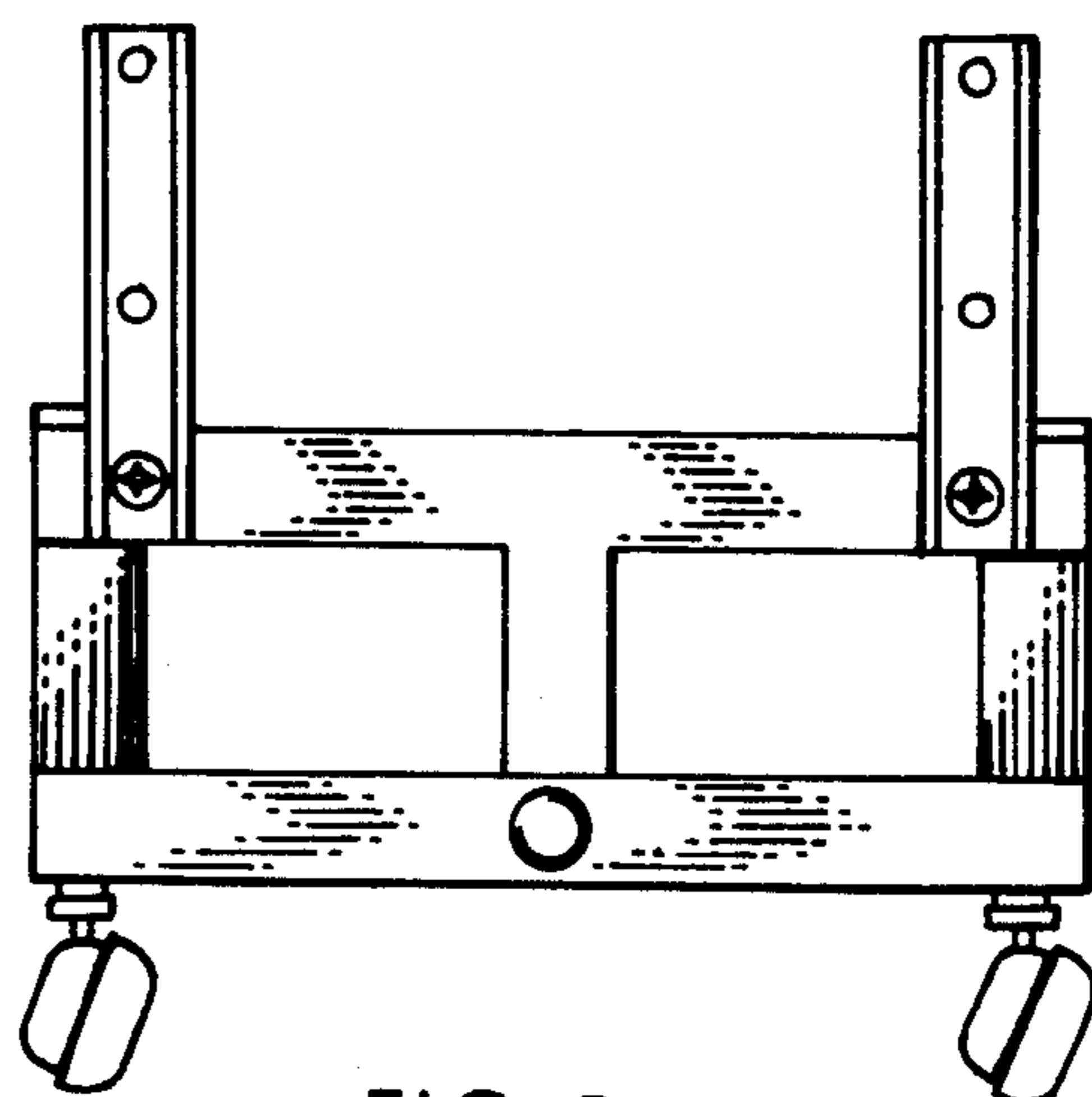


FIG. 5