

[54] TRANSIENT VOLTAGE SUPPRESSION UNIT

[76] Inventor: Daniel M. Cocuzzo, 22 High Rock Circle, Waltham, Mass. 02154

[\*\*] Term: 14 Years

[21] Appl. No.: 731,035

[22] Filed: Oct. 8, 1976

[51] Int. Cl. .... D13-02

[52] U.S. Cl. .... D13/11

[58] Field of Search ..... D26/5 R; 317/100, 101 R, 317/101 CB, 101 DH, 117, 119, 120; 174/17 R, 18, 19, 48, 50, 59, 65, 66; 220/3.2, 3.3, 3.8

[56] References Cited

U.S. PATENT DOCUMENTS

2,372,822	4/1945	Gaynor .....	174/50 X
2,501,677	3/1950	Jenks .....	174/59 X
3,002,044	9/1961	Scoville .....	174/50
3,106,665	10/1963	Byles .....	317/101 R X
3,910,448	10/1975	Evans et al. ....	220/3.8

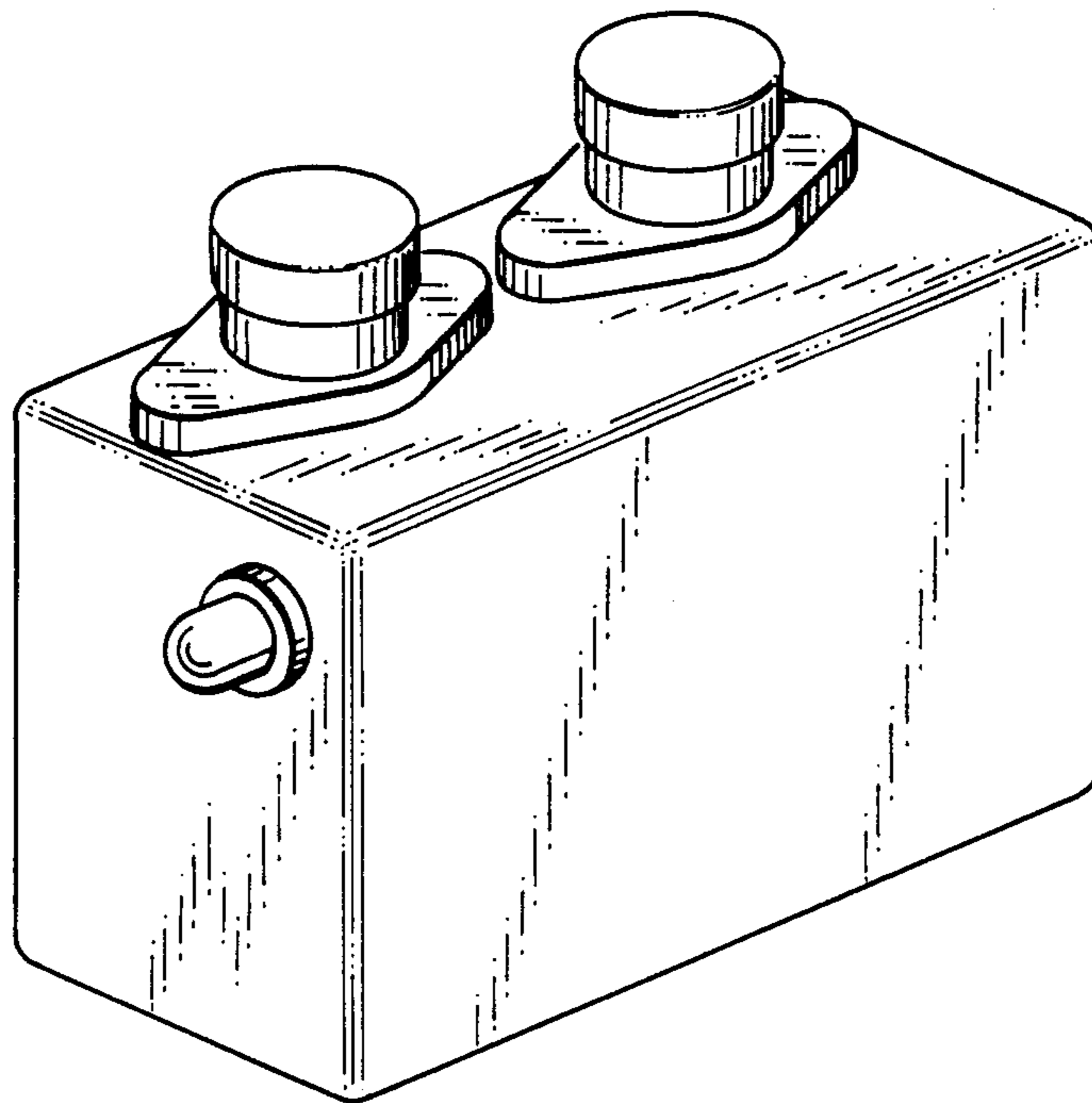
Primary Examiner—Susan J. Lucas  
Attorney, Agent, or Firm—Edward J. Collins

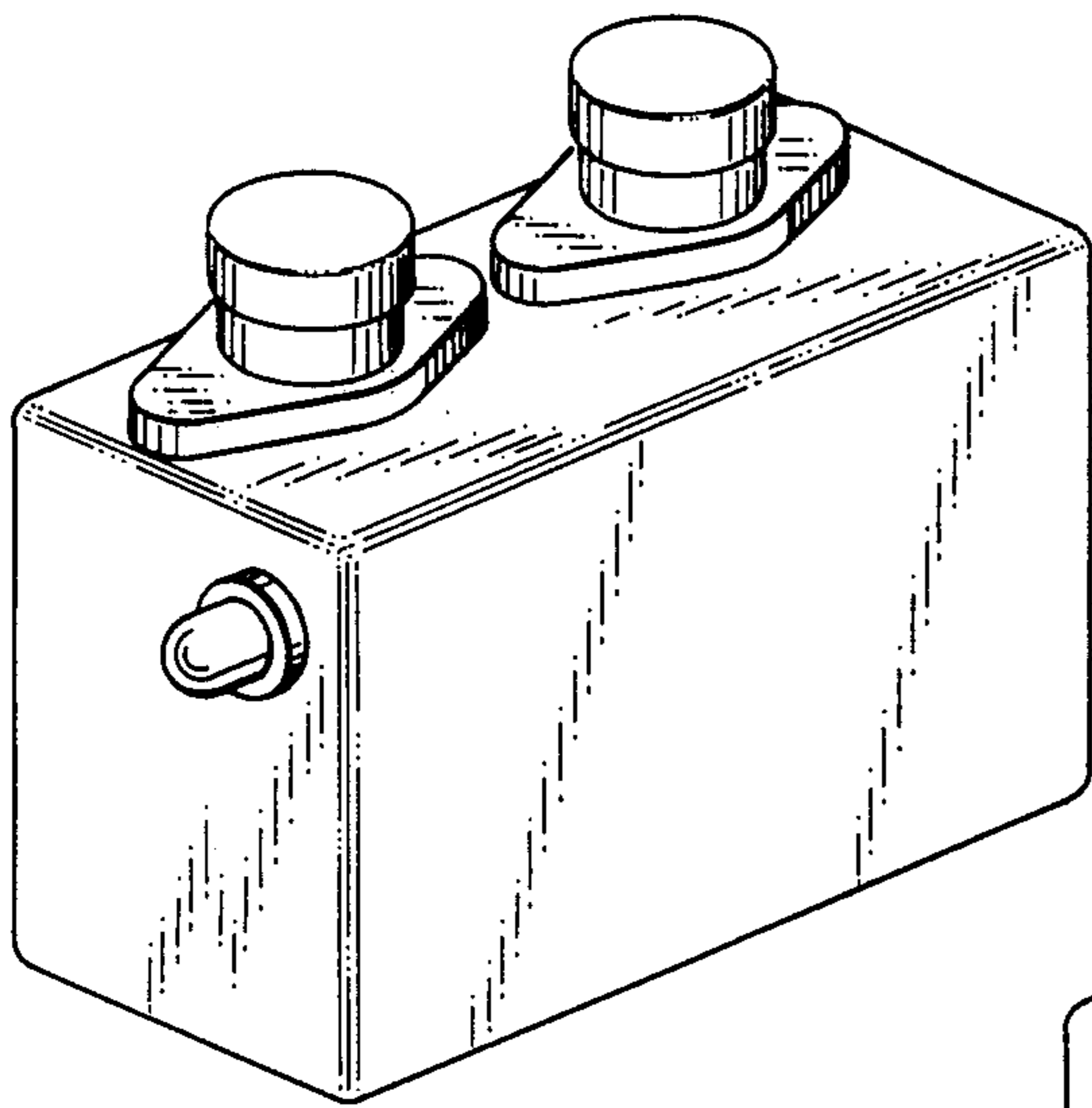
[57] CLAIM

The ornamental design for a transient voltage suppression unit, as shown and described.

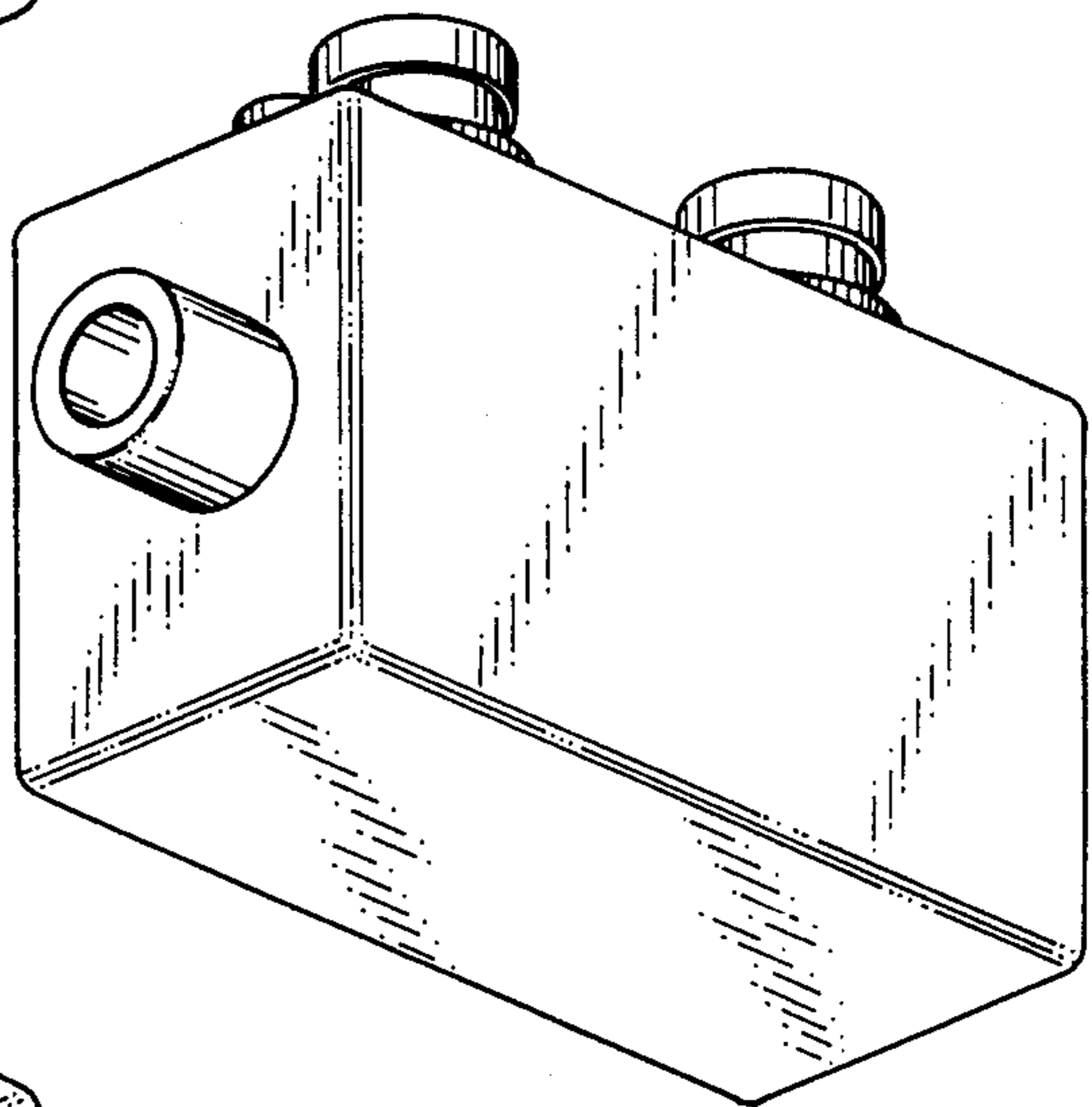
DESCRIPTION

FIG. 1 is a front perspective view of a transient voltage suppression unit showing my new design;  
FIG. 2 is a rear perspective view thereof;  
FIG. 3 is a front perspective view of a second embodiment of my design;  
FIG. 4 is a rear perspective view thereof.

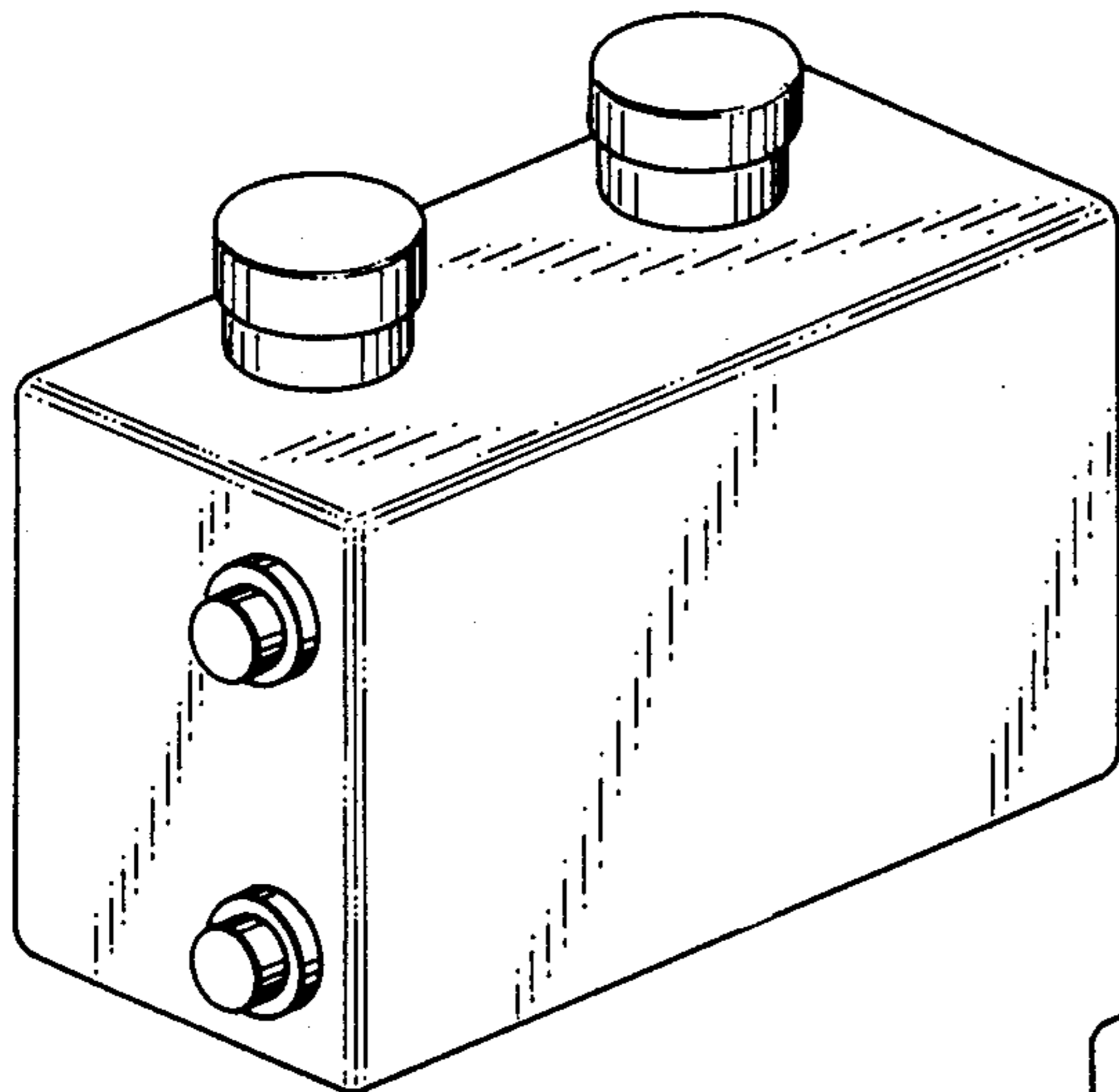




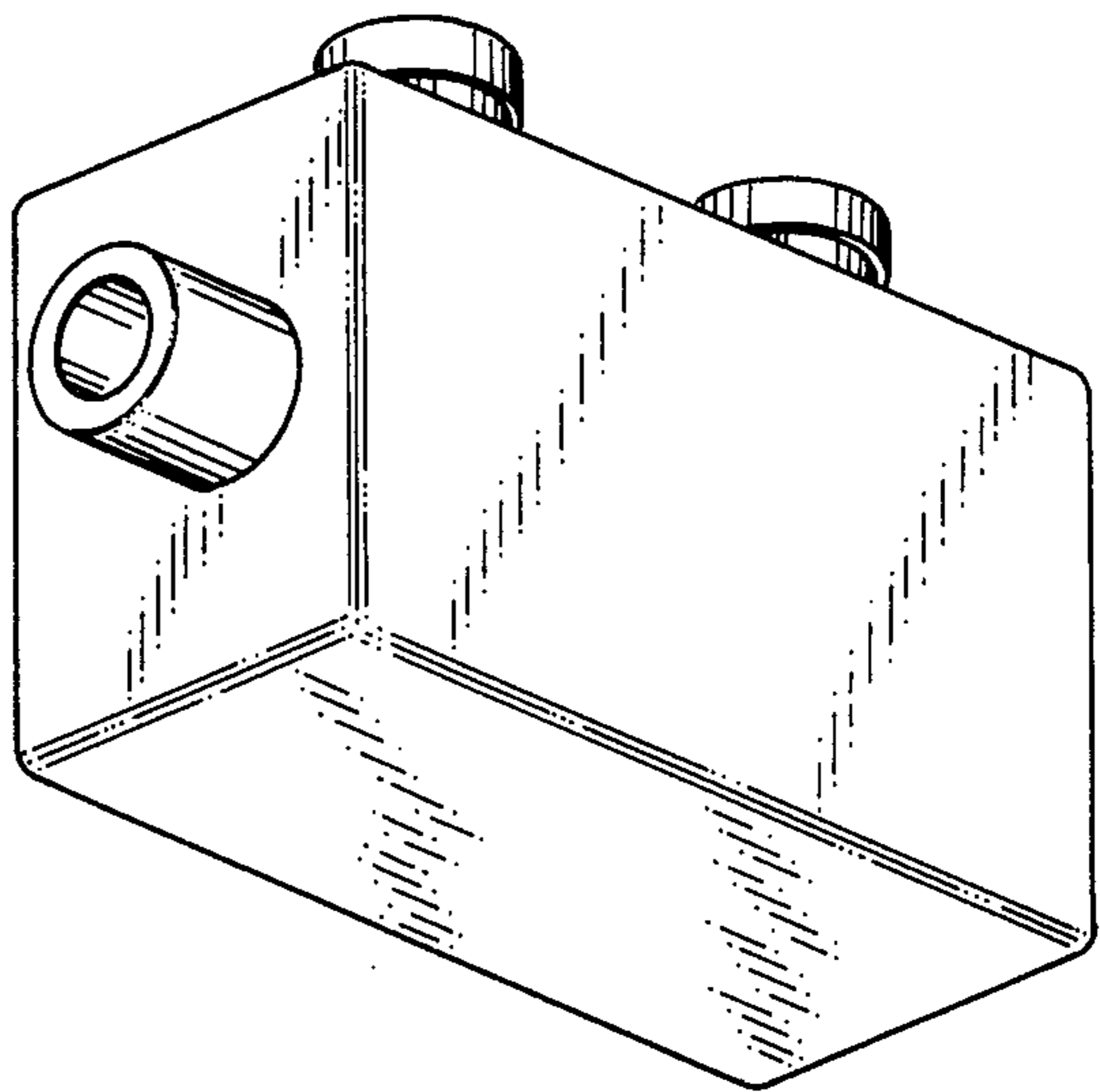
**FIG. 1.**



**FIG. 2.**



**FIG. 3.**



**FIG. 4.**