

[54] **STACKABLE PACKAGING TRAY**

[75] **Inventor:** Richard Sutton Cherry, Toronto, Canada

[73] **Assignee:** Phillips Plastics of North America, Inc., Mississauga, Canada

[**] **Term:** 14 Years

[21] **Appl. No.:** 628,220

[22] **Filed:** Nov. 3, 1975

[51] **Int. Cl.** D9-03

[52] **U.S. Cl.** D9/242

[58] **Field of Search**.....229/30, 2-5, 3.5; D9/219, 242-244

3,055,572 9/1962 Crane 229/30
 3,463,378 8/1969 Daalen 229/2.5 X

Primary Examiner—Robert C. Spangler
Attorney, Agent, or Firm—Lewis E. Hanley

[57] **CLAIM**

The ornamental design for a stackable packaging tray, as shown and described.

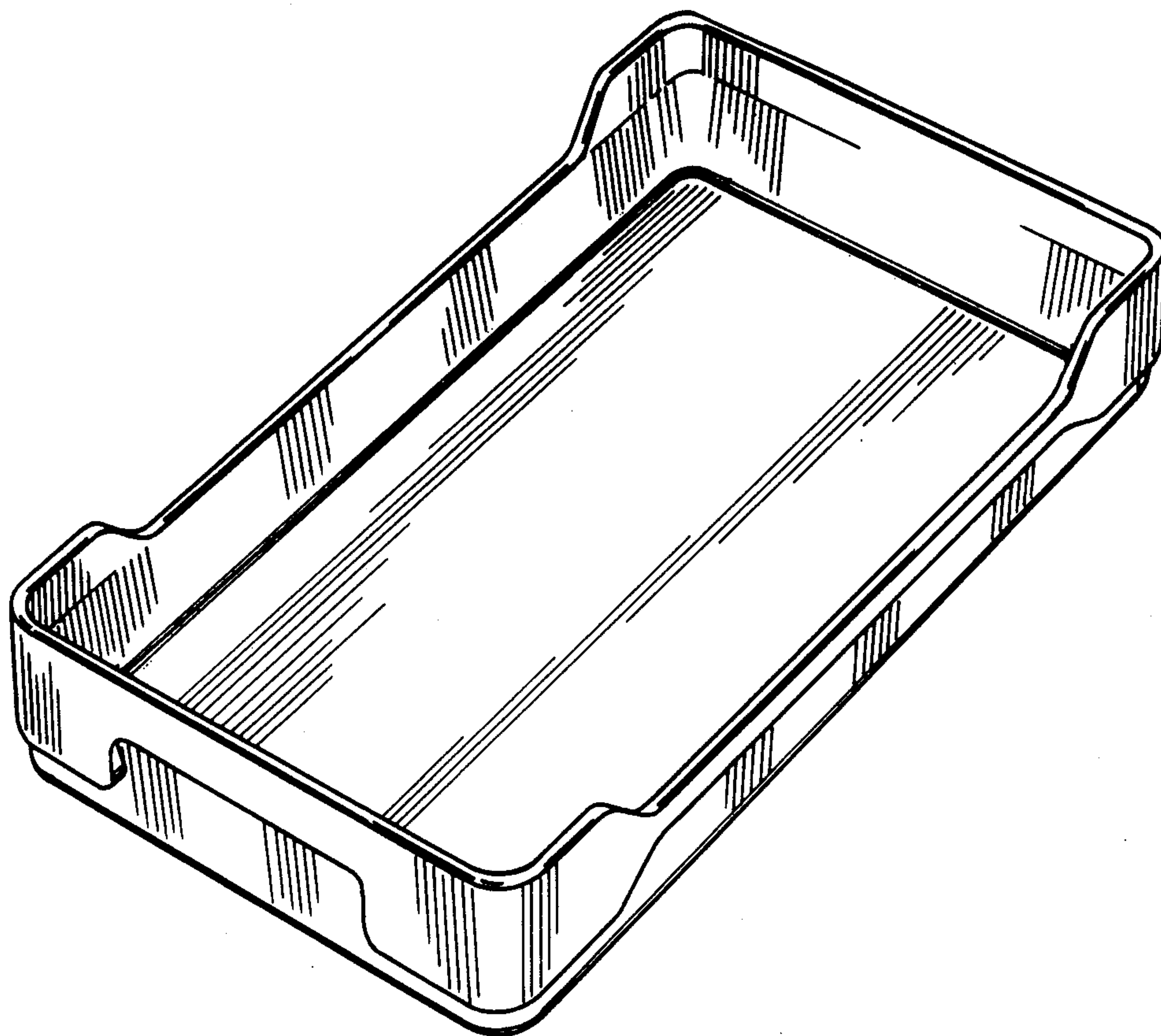
DESCRIPTION

FIG. 1 is a top perspective view of a stackable packaging tray showing my new design;
 FIG. 2 is a bottom perspective view thereof;
 FIG. 3 is a top perspective view showing a modified form of my new design;
 FIG. 4 is a bottom perspective view thereof;
 FIG. 5 is a side view in elevation of the stackable packaging tray of FIGS. 1 and 2;
 FIG. 6 is an end view thereof;
 FIG. 7 is a side view in elevation of the modified stackable packaging tray of FIGS. 3 and 4; and
 FIG. 8 is an end view in elevation thereof.

[56] **References Cited**

U.S. PATENT DOCUMENTS

D. 212,593	11/1968	Collie	D9/242
D. 224,735	9/1972	Reifers	D9/243
D. 229,894	1/1974	Reifers	D9/243
2,334,902	11/1943	Buttery	D9/242 X



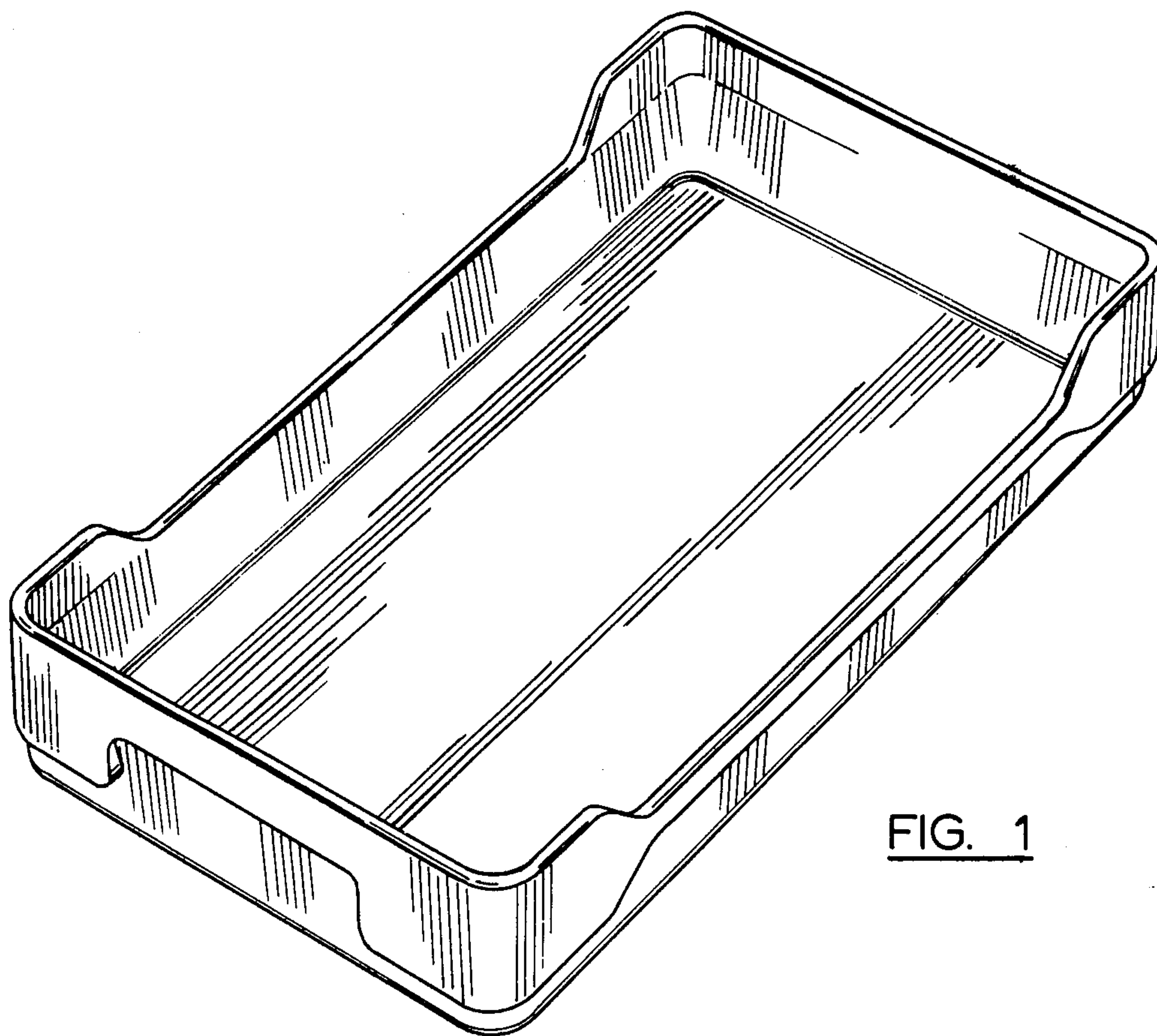


FIG. 1

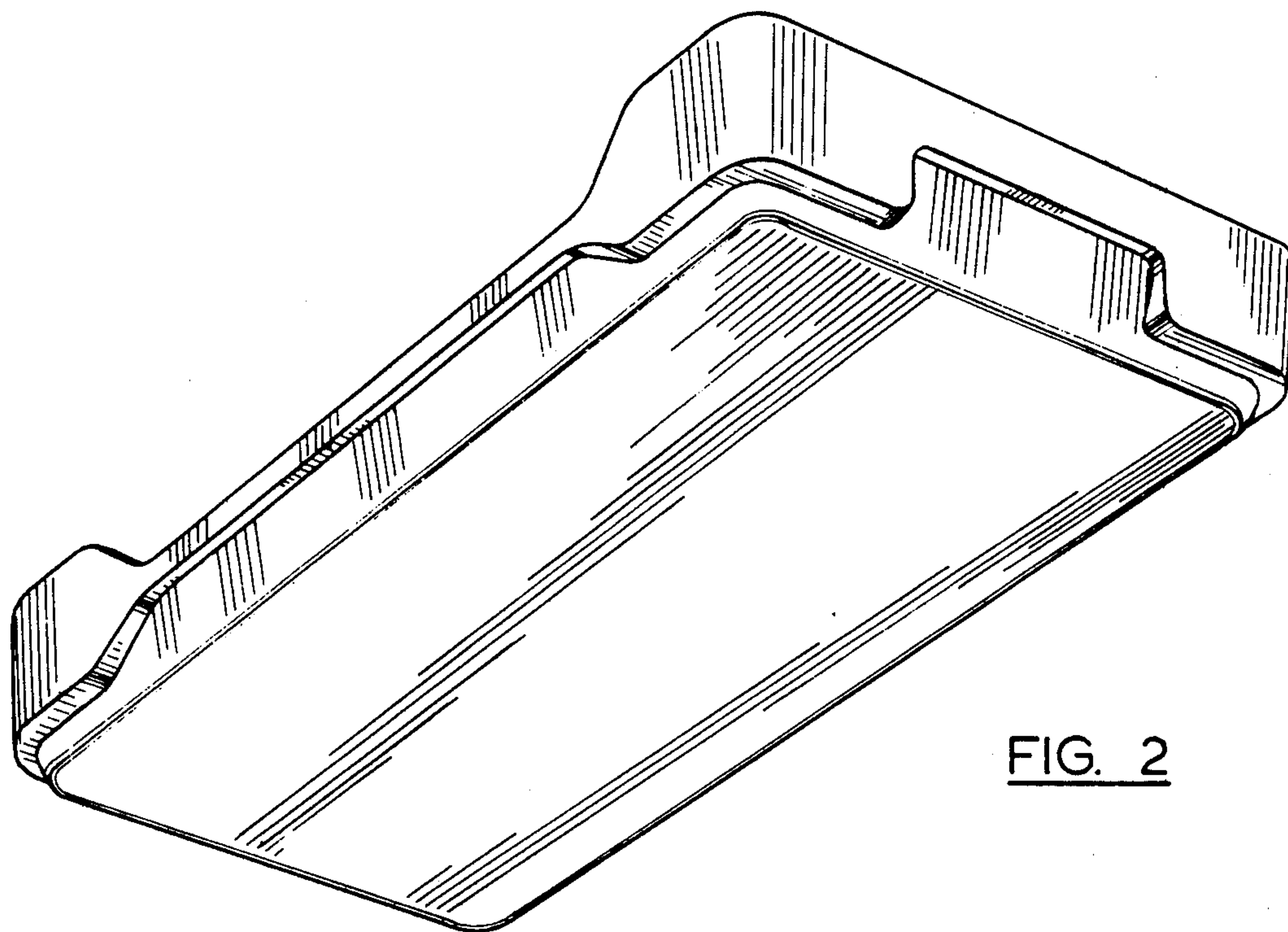


FIG. 2

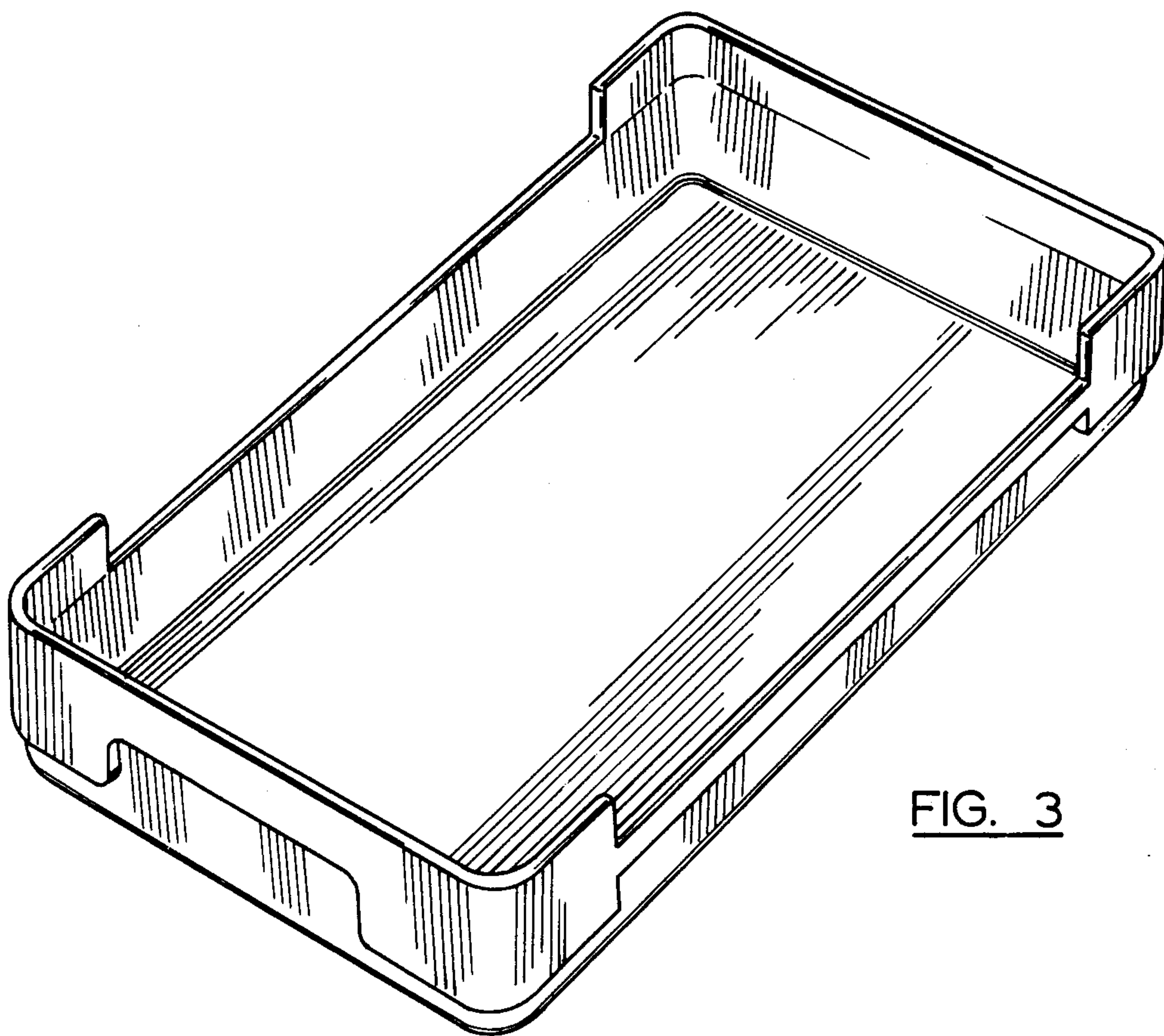


FIG. 3

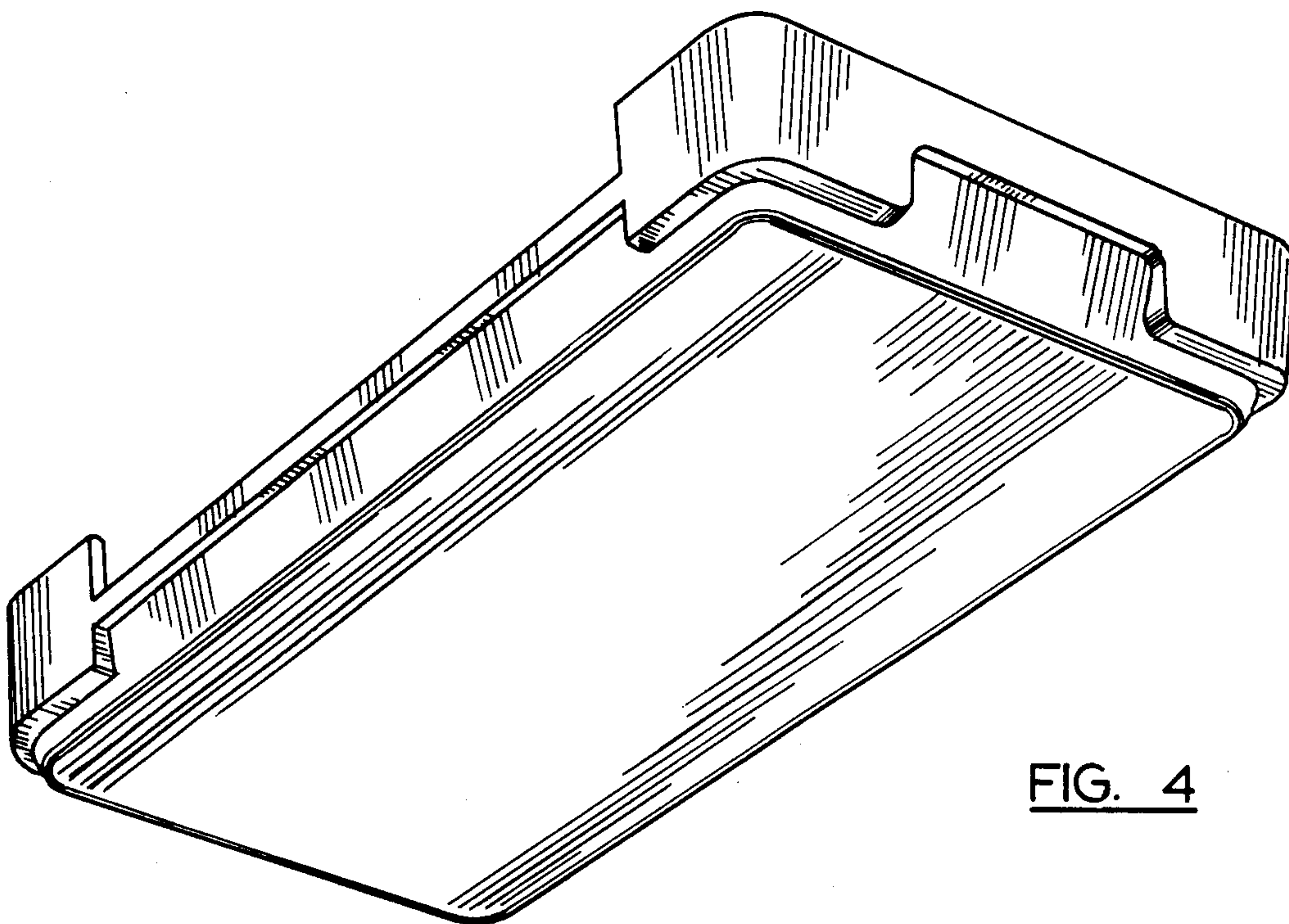


FIG. 4

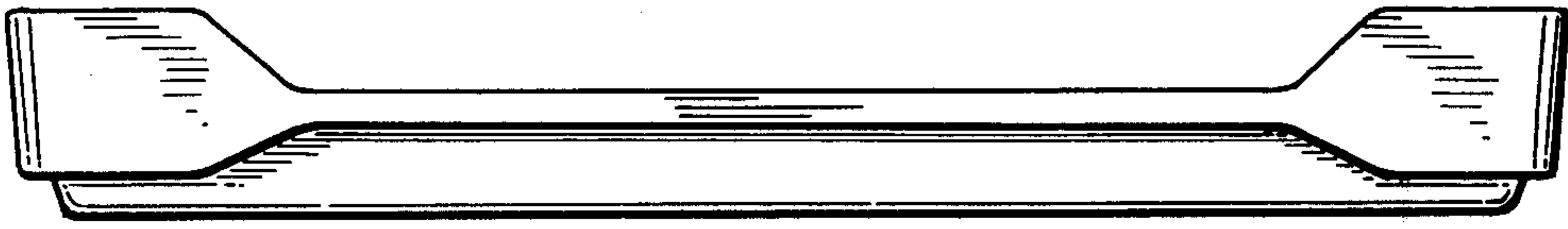


FIG. 5

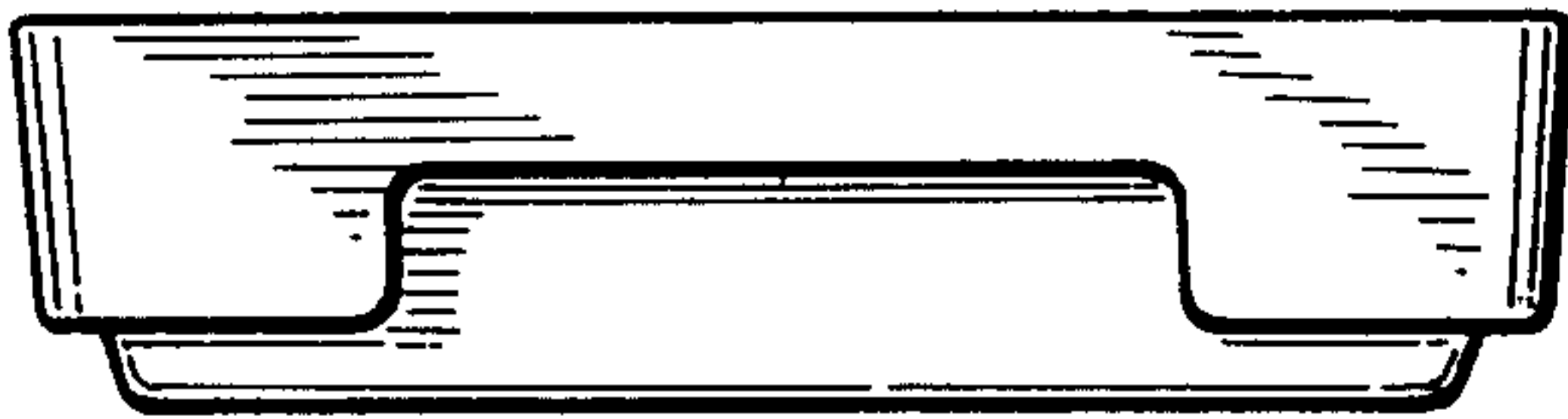


FIG. 6

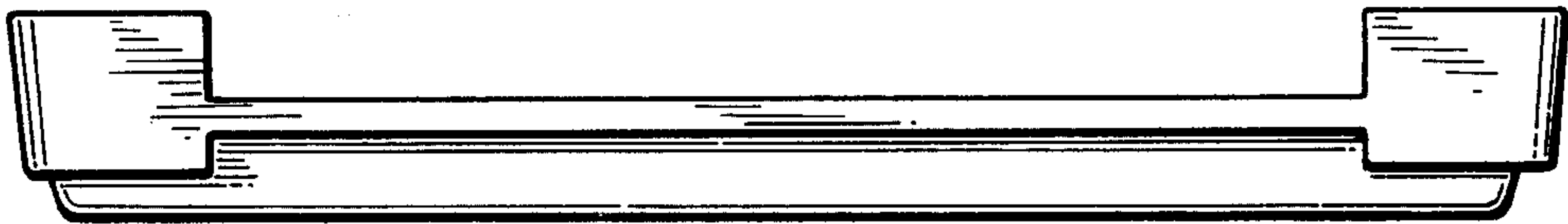


FIG. 7

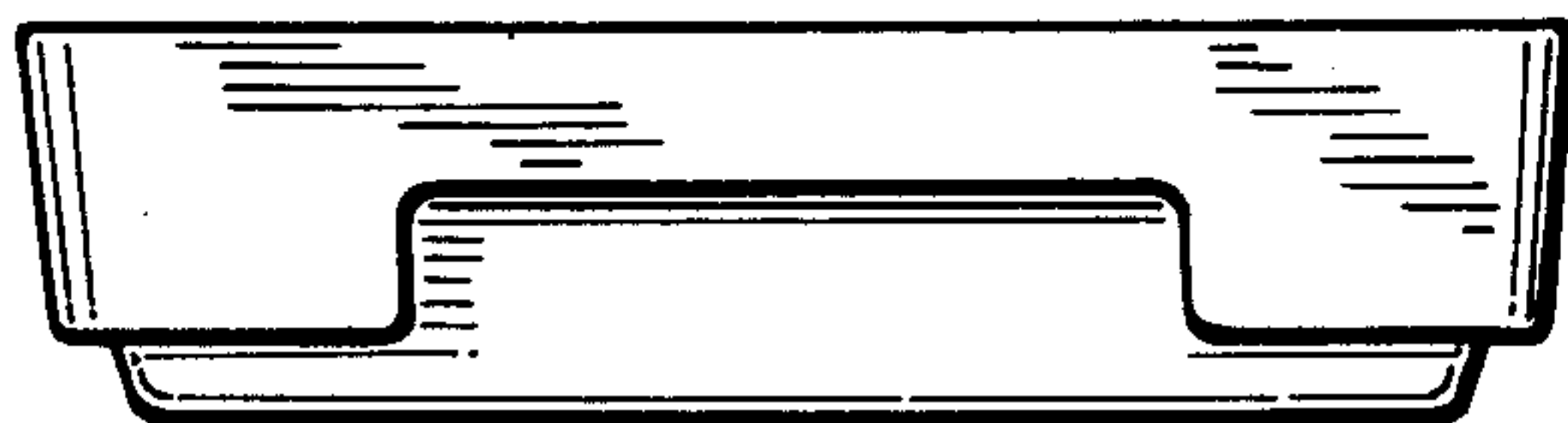


FIG. 8