

[54] STRUCTURAL STRUT JOINT

[76] Inventor: Theodore C. Patten, 17127 Roundhill Drive, Huntington Beach, Calif. 92649

[**] Term: 14 Years

[21] Appl. No.: 614,356

[22] Filed: Sept. 18, 1975

[51] Int. Cl. D8-08

[52] U.S. Cl. D8/382

[58] Field of Search 403/141, 143, 122, 76; D8/236, 382

[56] References Cited

U.S. PATENT DOCUMENTS

D. 157,594	3/1950	Hollaender	D8/382
D. 186,405	10/1959	Hollaender	D8/382
1,734,244	11/1929	Bingman	403/143
1,811,736	6/1931	Van Bezel	403/143
3,865,451	2/1975	Rordorf	403/141 X

OTHER PUBLICATIONS

Frederick Trading Co. Cat., pp. 13-14, drive socket 5412, 5/16/74.

Primary Examiner—Wallace R. Burke

Assistant Examiner—B. J. Bullock

Attorney, Agent, or Firm—George F. Bethel

[57] CLAIM

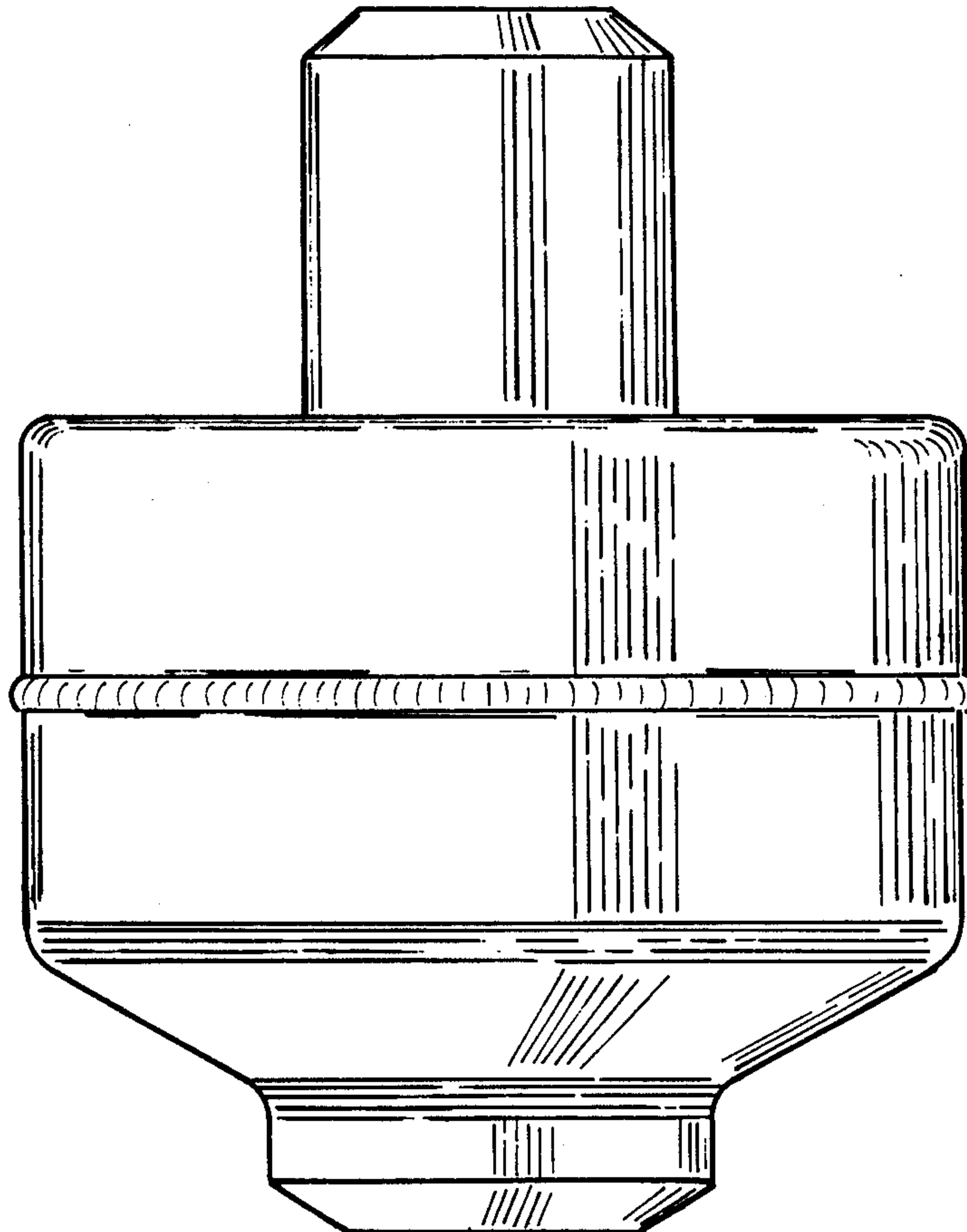
The ornamental design for the structural strut joint, as shown.

DESCRIPTION

FIG. 1 is a perspective view of a structural strut joint which has been sectioned through one quadrant thereof showing my new design;

FIG. 2 shows a midline sectional view of the outer portion of the structural strut joint with the inner portion having a partially fragmented midline sectioned view in the upper portion thereof; and,

FIG. 3 shows an upright elevation view of the entire structural strut joint.



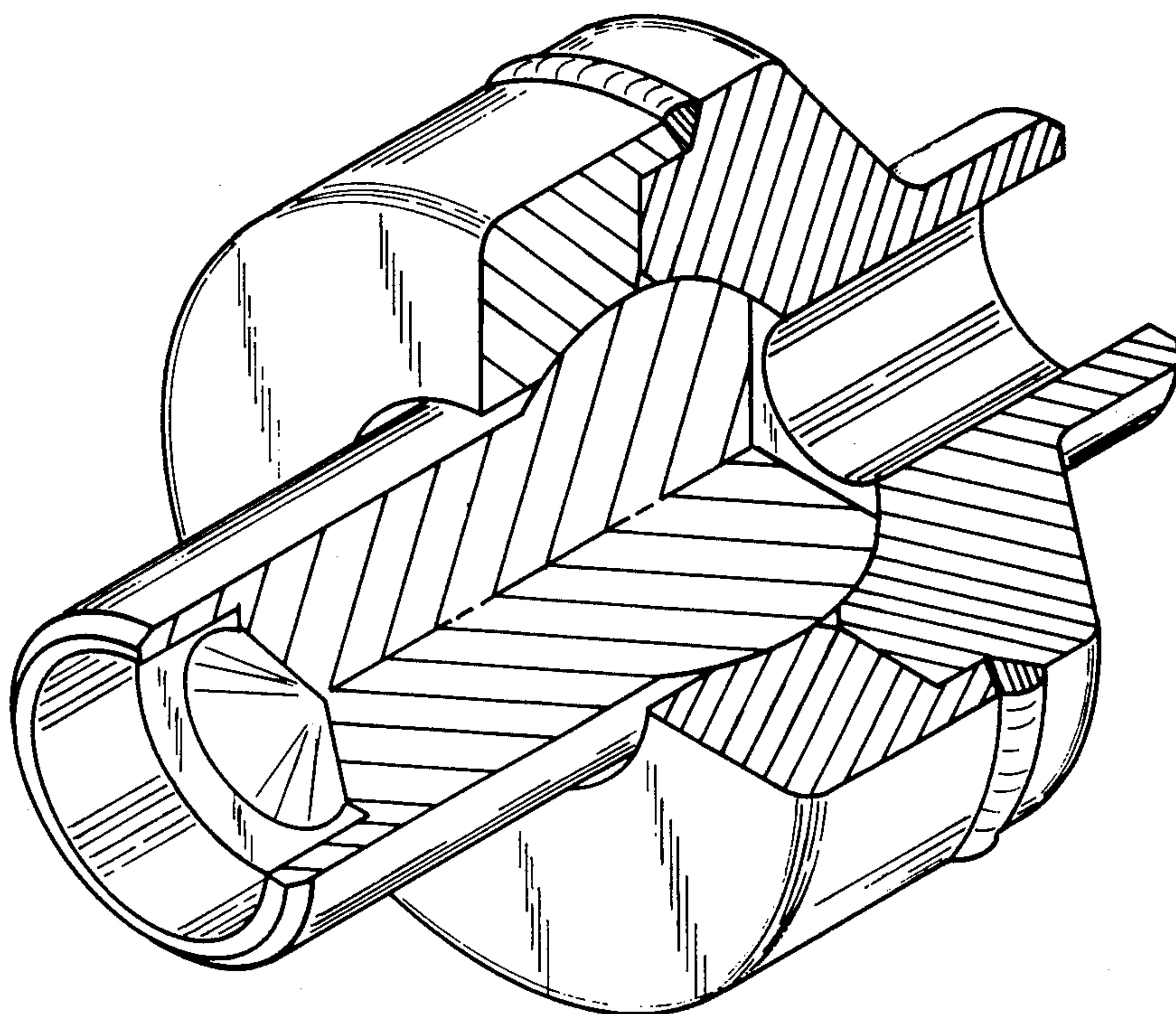


FIG. 1

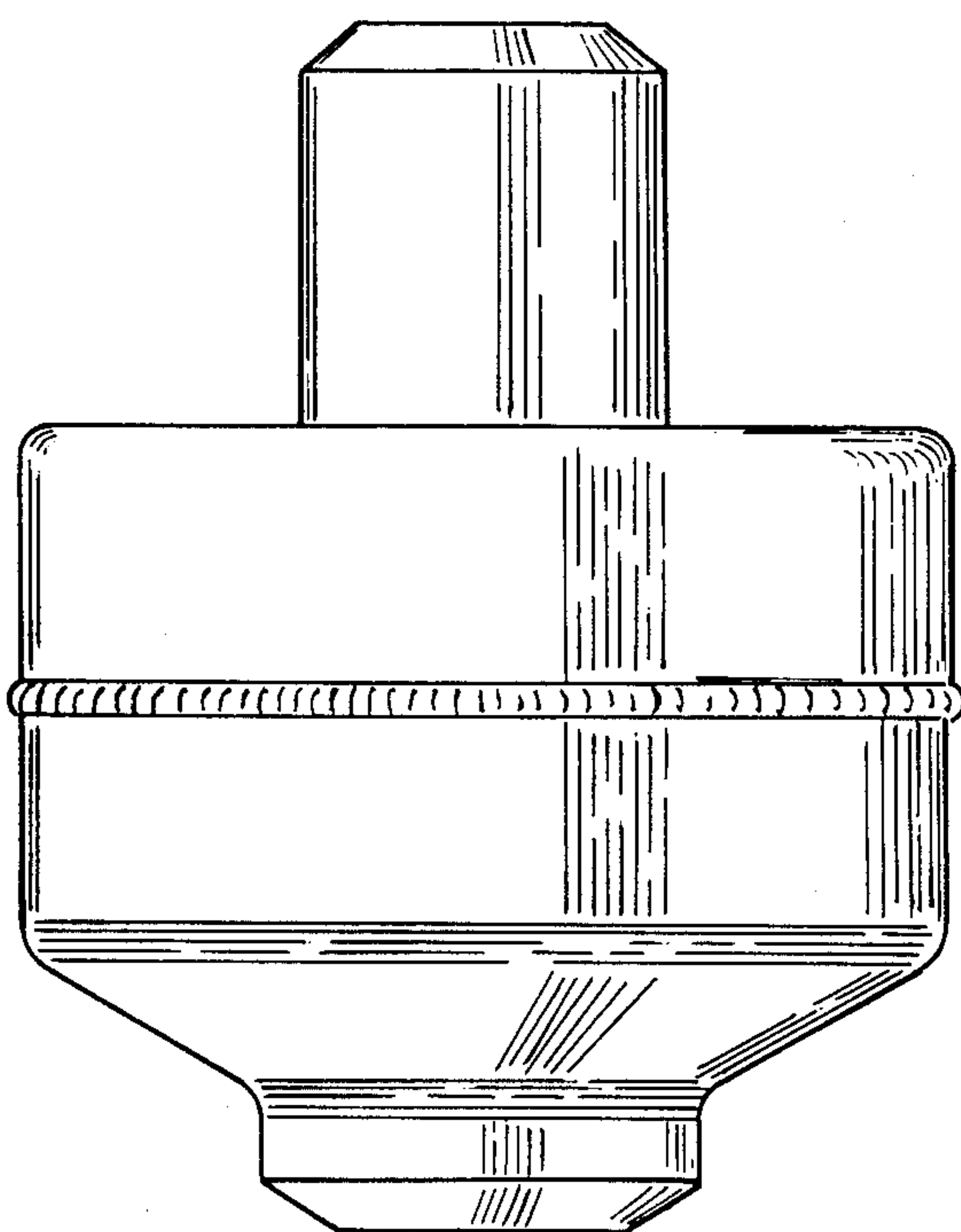


FIG. 3

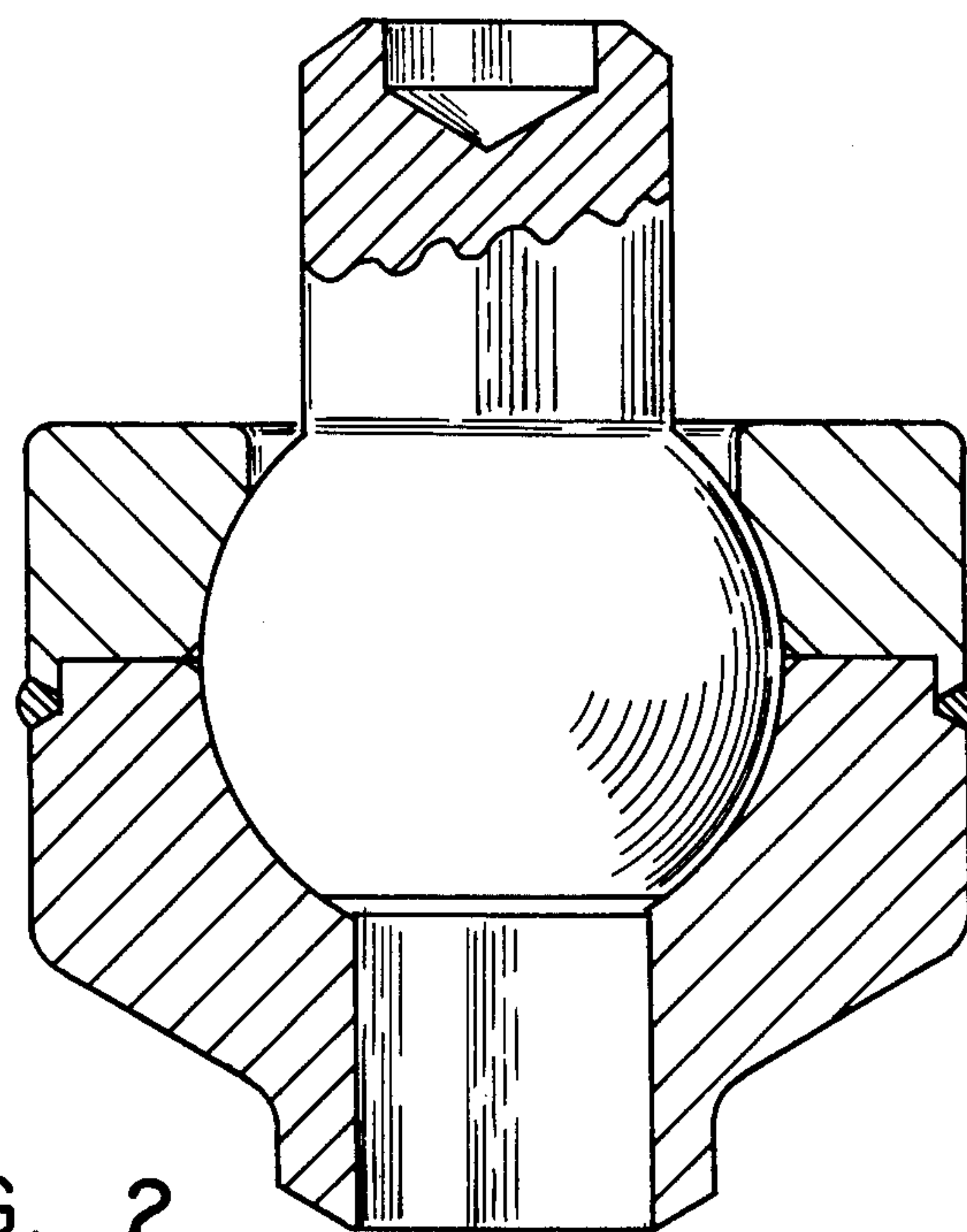


FIG. 2