

[54] CHRISTMAS TREE STAND

[76] Inventor: John Chulick, 15 Main St., Winters, Calif. 95694

[\*\*] Term: 14 Years

[21] Appl. No.: 752,554

[22] Filed: Dec. 20, 1976

[51] Int. Cl. .... D6-99

[52] U.S. Cl. .... D6/105

[58] Field of Search ..... D8/1; D11/143, 152, D11/155, 156, 164; D6/105, 85, 113, 137; 47/59, 60, 66, 71, 67, 85, 86, 40.5, 44, 47, 26; 248/524

[56] References Cited

U.S. PATENT DOCUMENTS

1,784,090	12/1930	Dahl	.....	D6/105
1,876,276	9/1932	Danner	.....	47/40.5
2,821,353	1/1958	Hasenohrl	.....	D6/105
3,353,773	11/1967	Budd	.....	47/40.5
3,480,241	11/1969	Moyer	.....	47/40.5

Primary Examiner—Wallace R. Burke  
Assistant Examiner—B. J. Bullock  
Attorney, Agent, or Firm—Robert G. West

[57] CLAIM

The ornamental design for a Christmas tree stand, as shown and described.

DESCRIPTION

FIG. 1 is a front elevational view of a Christmas tree stand showing my new design, the rear elevational view and the two side elevational views being substantially identical thereto with the guy wires in the retracted position;

FIG. 2 is a top plan view with the guy wires in a largely retracted position and the radial arms unfolded into operative mode;

FIG. 3 is a bottom plan view;

FIG. 4 is a top plan view similar to FIG. 2 but with the radial arms folded into storage mode; and,

FIG. 5 is a fragmentary sectional view to an enlarged scale taken on the line 5-5 in FIG. 2 illustrating the detailed appearance of the junction between the cup rim and the radial arms.

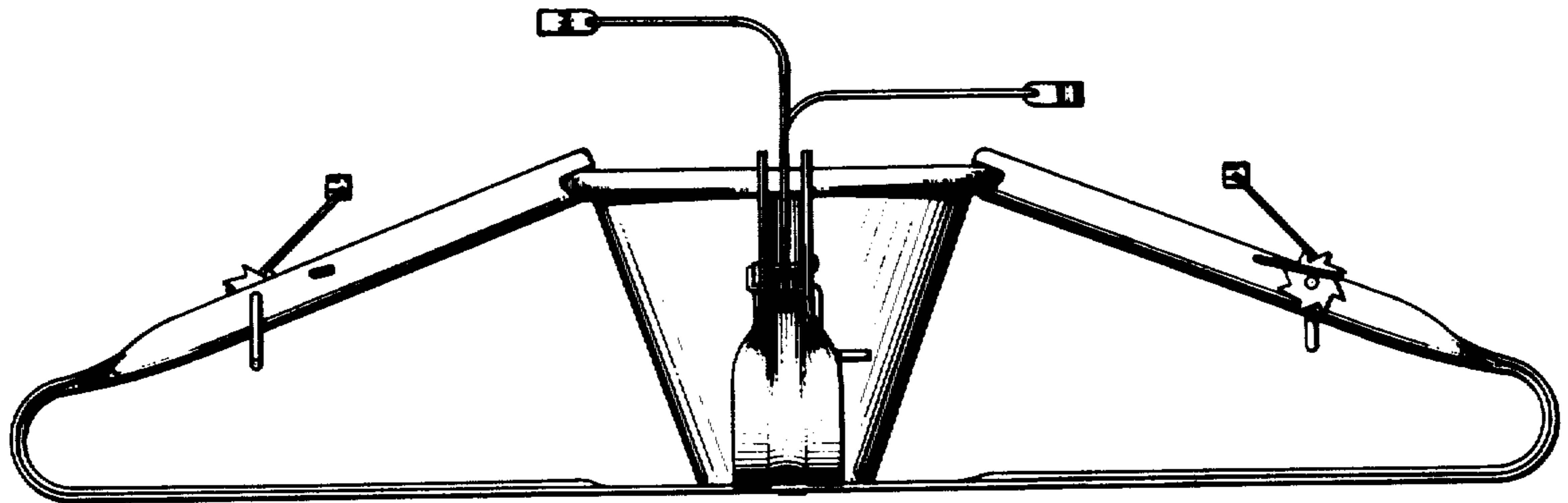


FIG-1

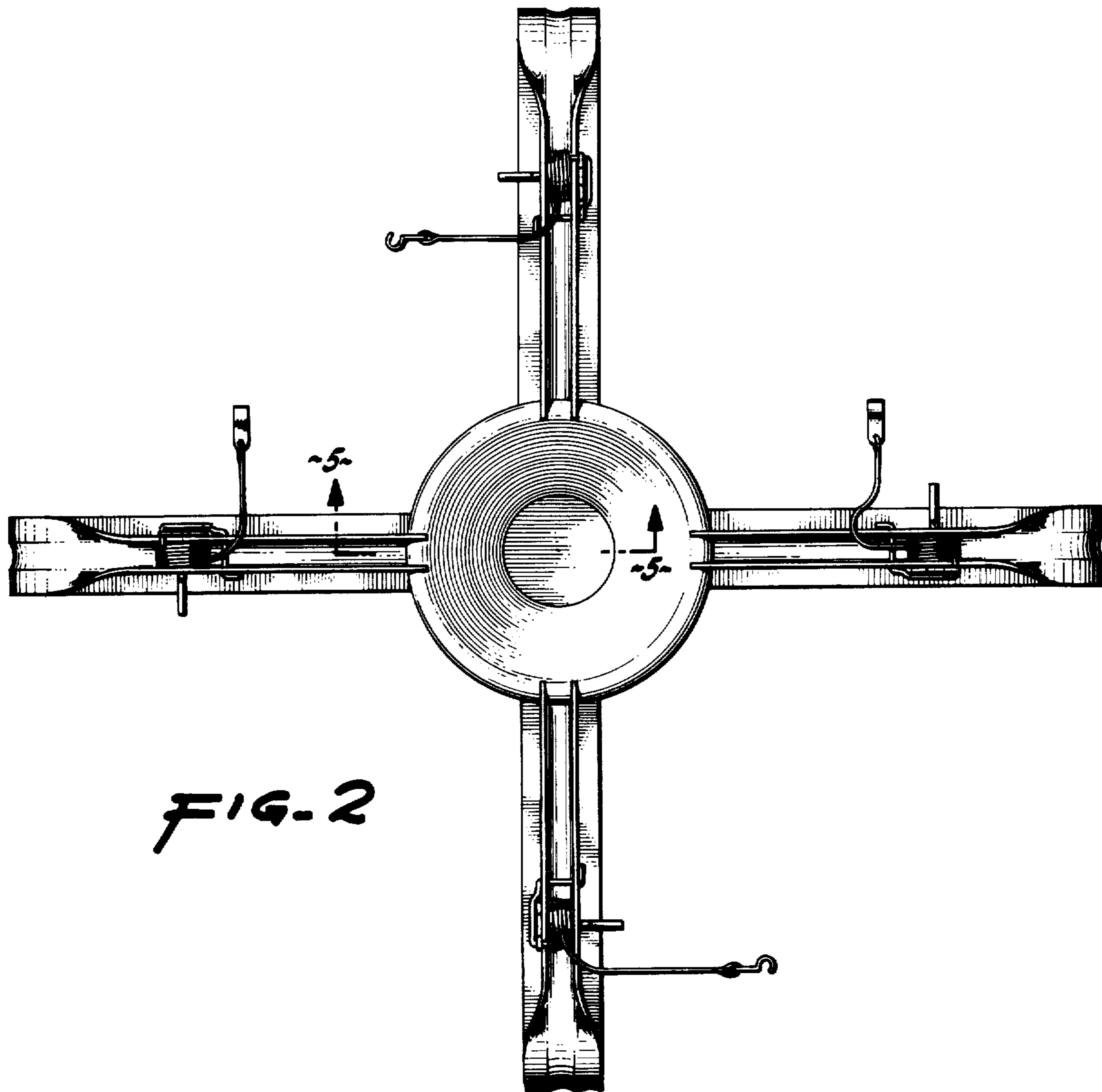
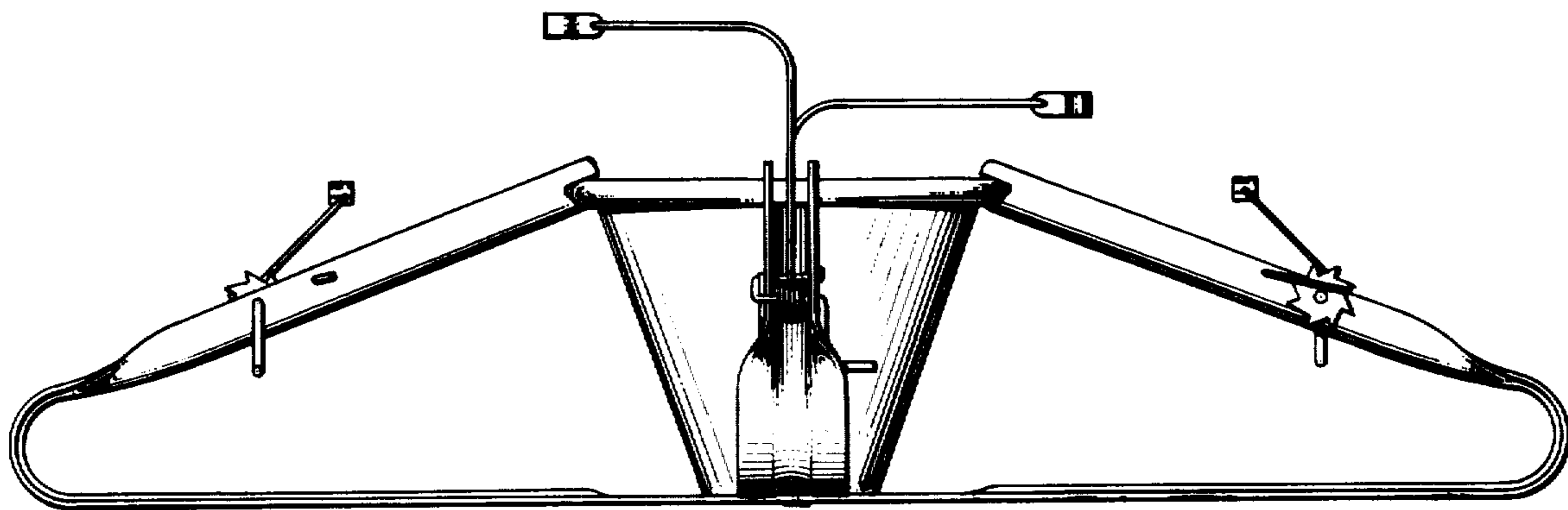


FIG-2

