

[54] **BATHTUB CADDY**

[76] Inventor: **George Chapman**, 1712 Park Blvd.,
Cherry Hill, N.J. 08002

[**] Term: **14 Years**

[21] Appl. No.: **697,205**

[22] Filed: **June 17, 1976**

[51] Int. Cl. **D6-06**

[52] U.S. Cl. **D6/86**

[58] Field of Search **D6/85, 86, 91, 106,**
D6/114, 125, 138, 184, 199; 108/42, 43, 49, 152

[56] **References Cited**

U.S. PATENT DOCUMENTS

D. 29,620	11/1898	Huebel	D6/91
3,239,850	3/1966	Kiss	D6/86

OTHER PUBLICATIONS

Design, p. 40, 3/1971, bathtub caddy.
House Beautiful, 7/1972, p. 13, bathtub caddy.

Primary Examiner—Wallace R. Burke
Assistant Examiner—B. J. Bullock
Attorney, Agent, or Firm—Alan K. Roberts

[57] **CLAIM**

The ornamental design for a bathtub caddy, substantially as shown and described.

DESCRIPTION

FIG. 1 is a reduced front perspective view of a bathtub caddy embodying my new design;
FIG. 2 is a bottom plan view thereof;
FIG. 3 is a rear elevational view thereof;
FIG. 4 is an end elevational view thereof.

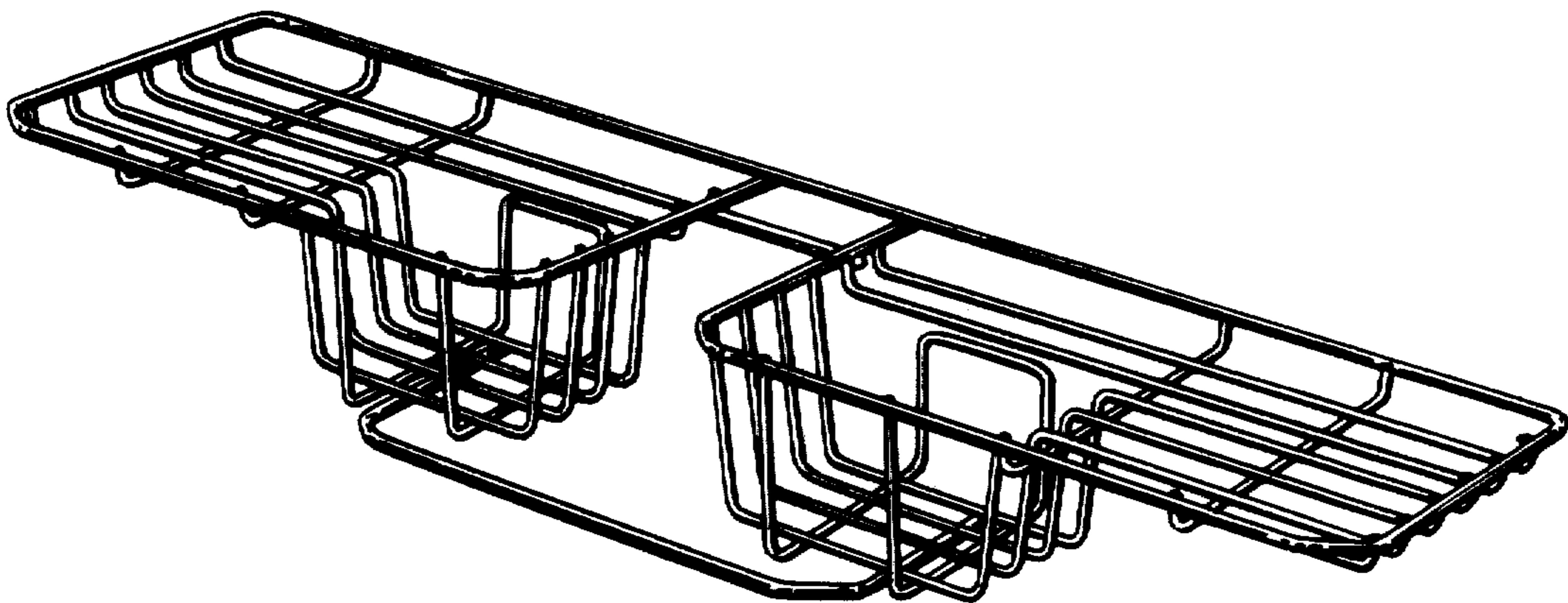


FIG. 1

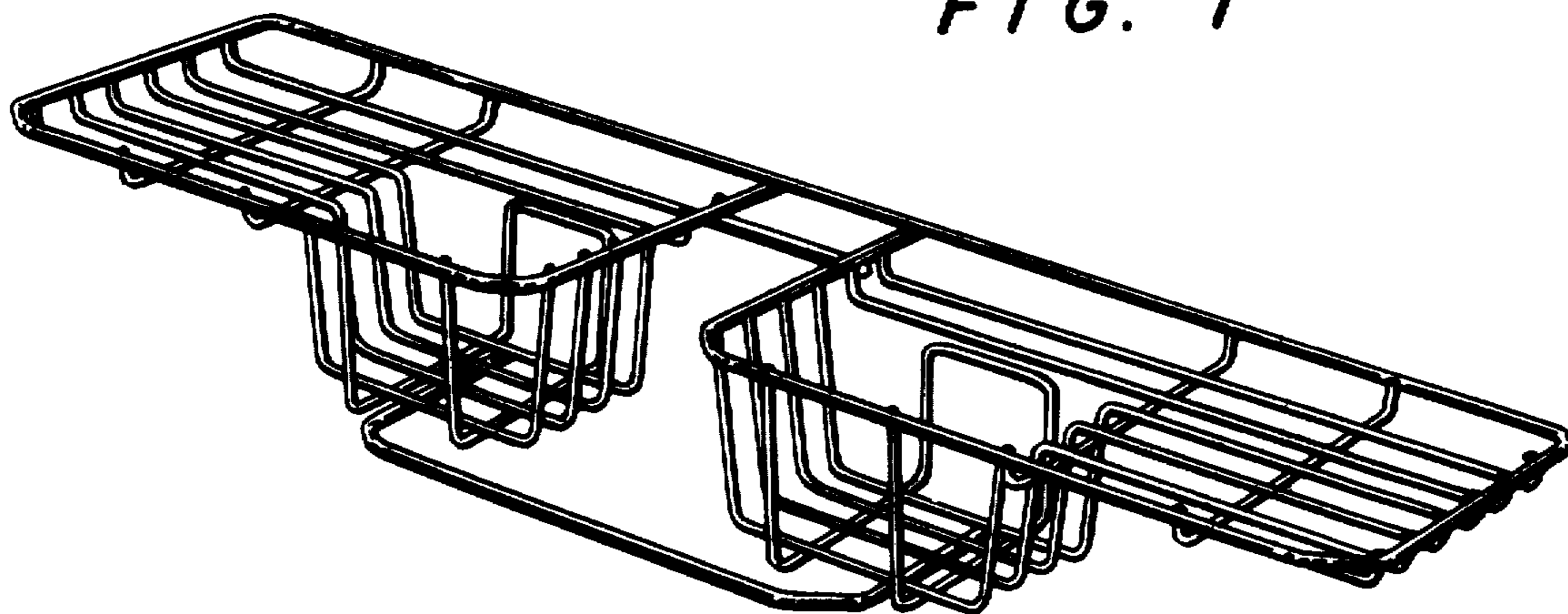


FIG. 4

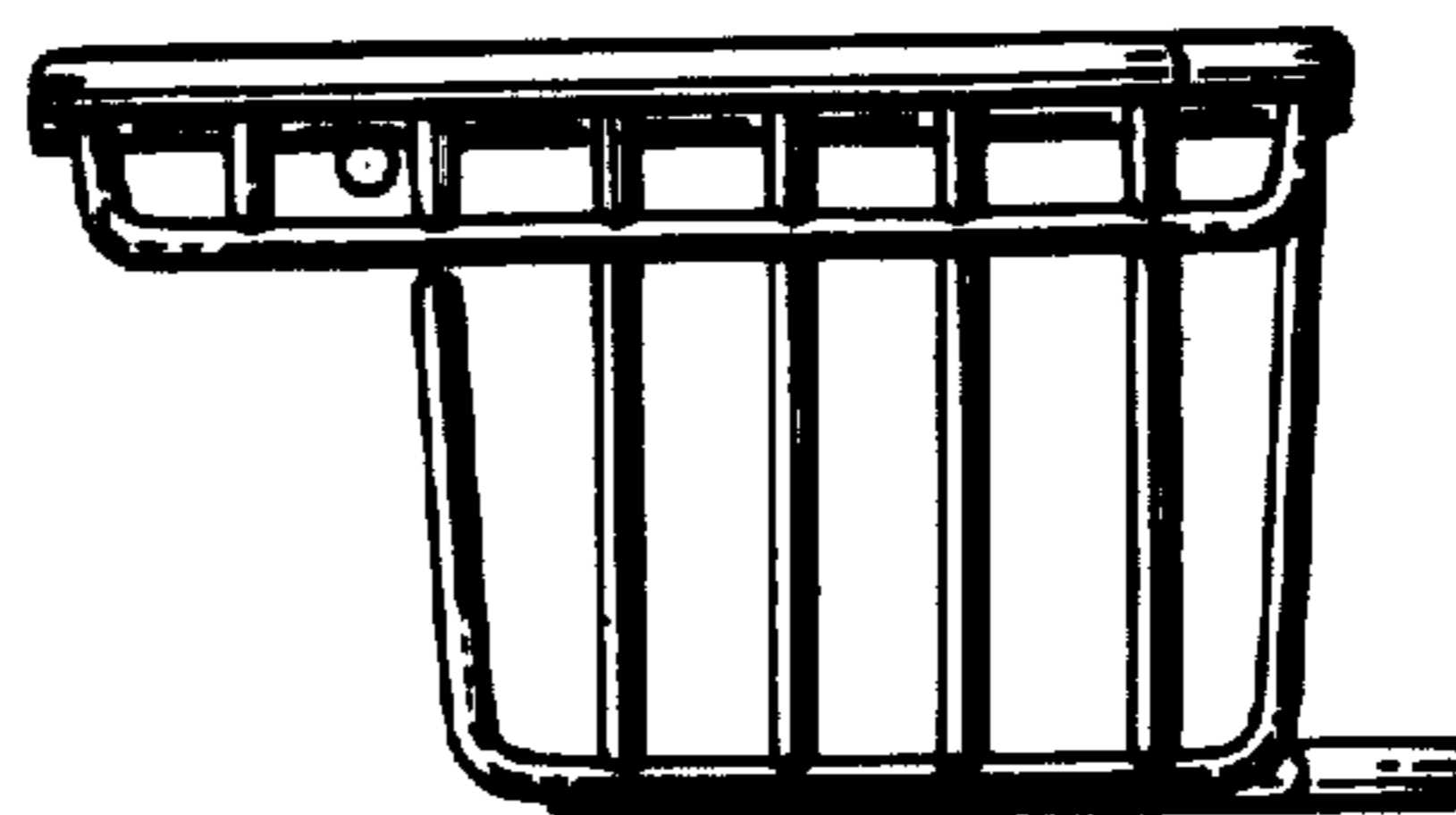


FIG. 2

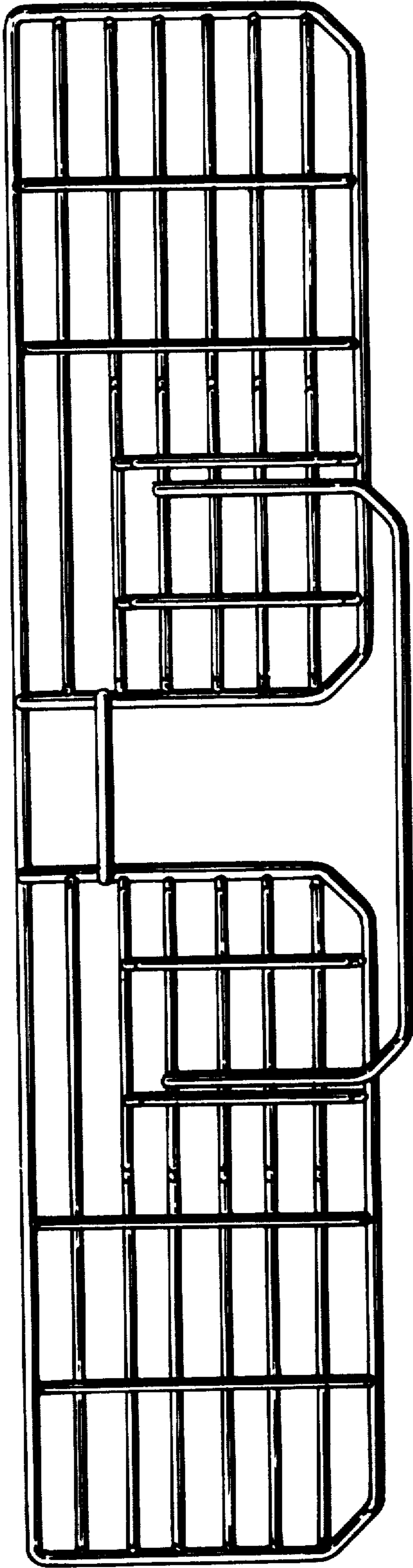


FIG. 3

