

[54] TOY BOAT

[75] Inventor: Eric Kyte, Ilkley, England

[73] Assignee: Bulldog Toy Company Limited, England

[\*\*] Term: 14 Years

[21] Appl. No.: 639,937

[22] Filed: Dec. 11, 1975

[51] Int. Cl. .... D21-01

[52] U.S. Cl. .... D34/15 JJ

[58] Field of Search ..... D34/15 JJ, 43, 15 B, D34/15 AN, 5 D; 46/91, 92, 93; D6/15

[56] References Cited

U.S. PATENT DOCUMENTS

- D. 162,246 2/1951 Smith ..... D34/15 AM
- D. 197,181 12/1963 Markham ..... D34/15 JJ

2,417,618 3/1947 Scott ..... D34/5 D

OTHER PUBLICATIONS

Montgomery Ward 1973 Christmas Catalog, p. 255, camper boat at top of page.

Primary Examiner—Joel Stearman  
Assistant Examiner—C. A. Rademaker  
Attorney, Agent, or Firm—Fred Philpitt

[57] CLAIM

The ornamental design for a toy boat, as shown.

DESCRIPTION

FIG. 1 is a front perspective view of a toy boat showing my new design;  
FIG. 2 is a front elevational view thereof;  
FIG. 3 is a rear elevational view thereof;  
FIG. 4 is a side elevational view thereof; and,  
FIG. 5 is a top plan view thereof.

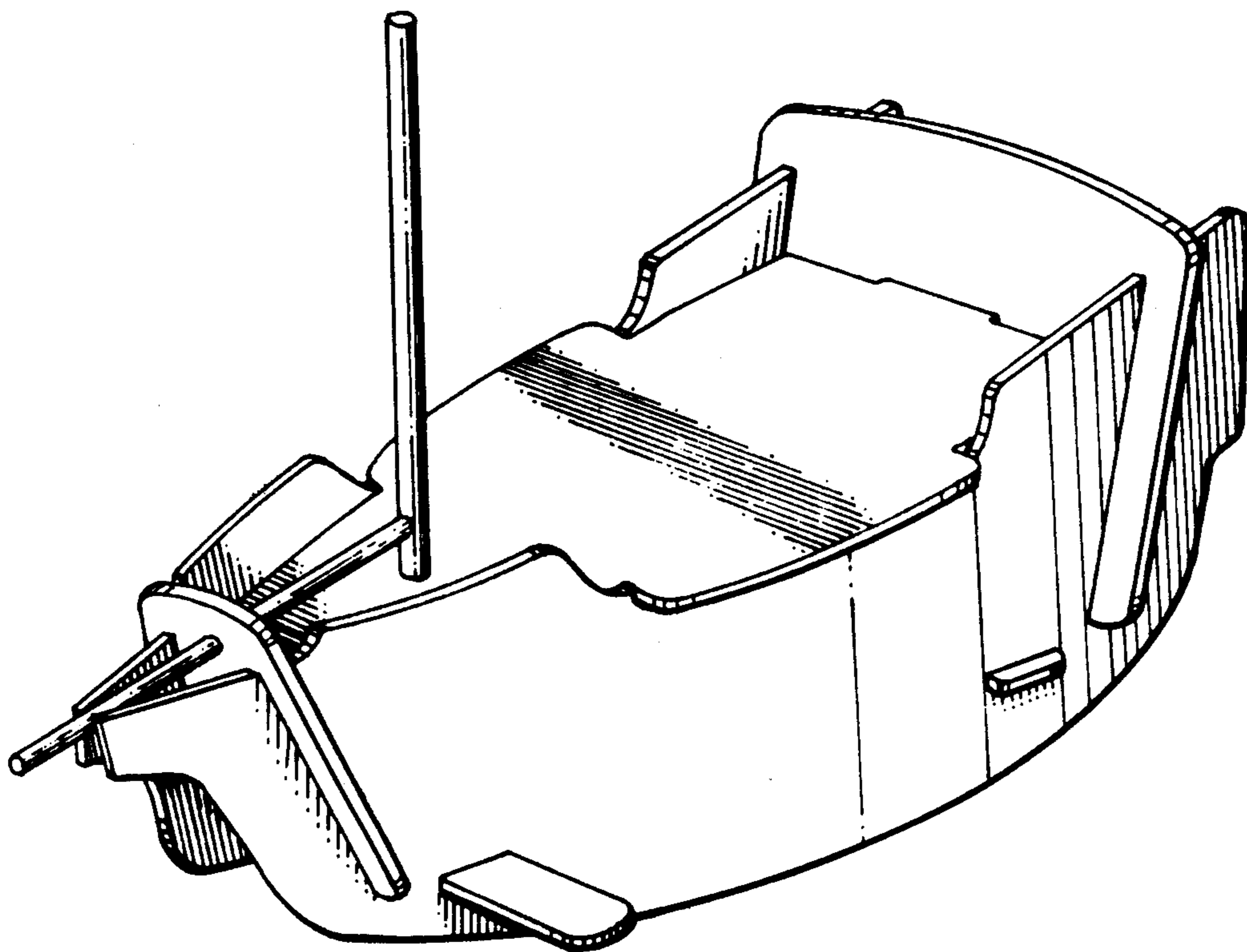


FIG. 1

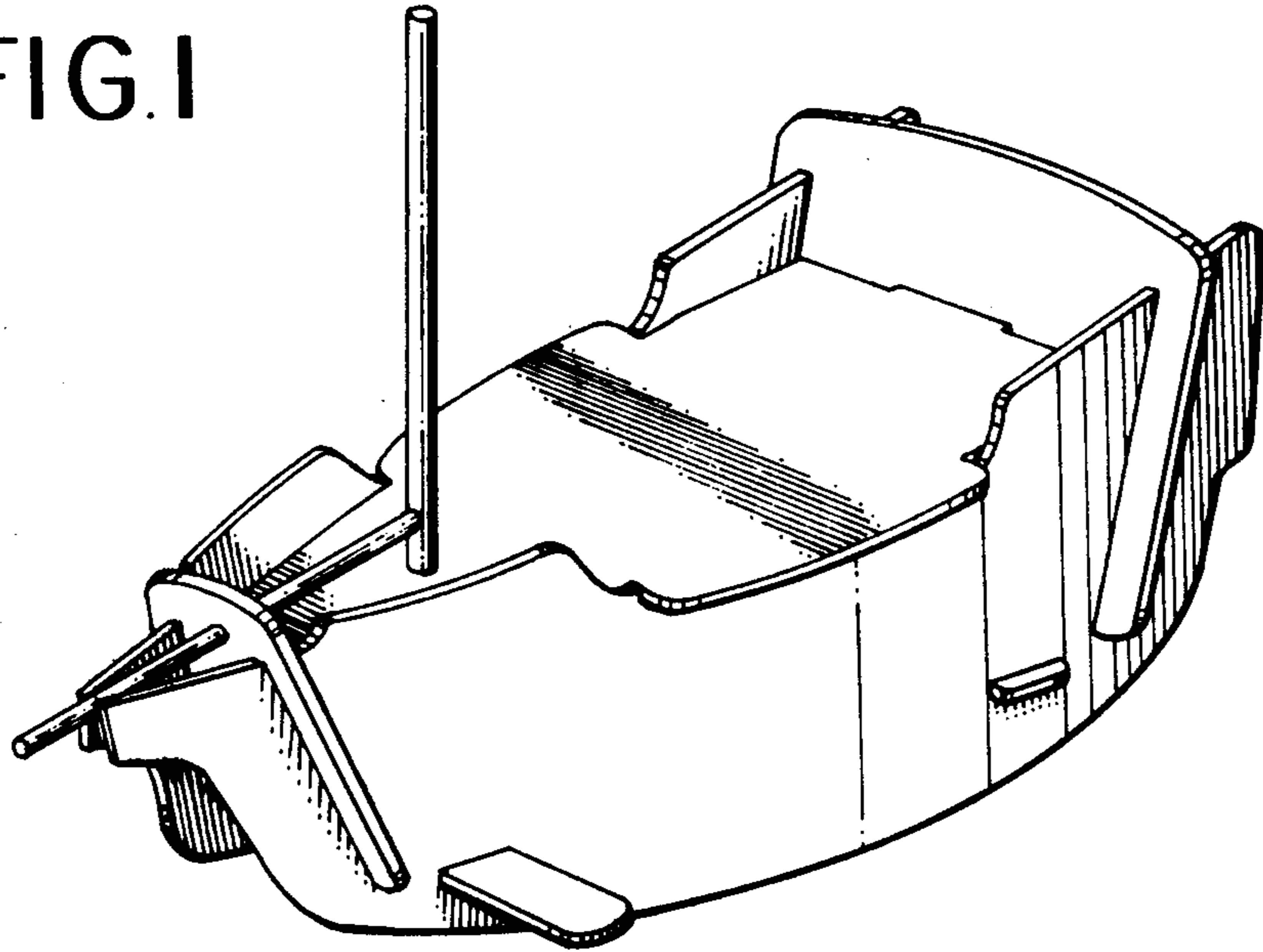


FIG. 2

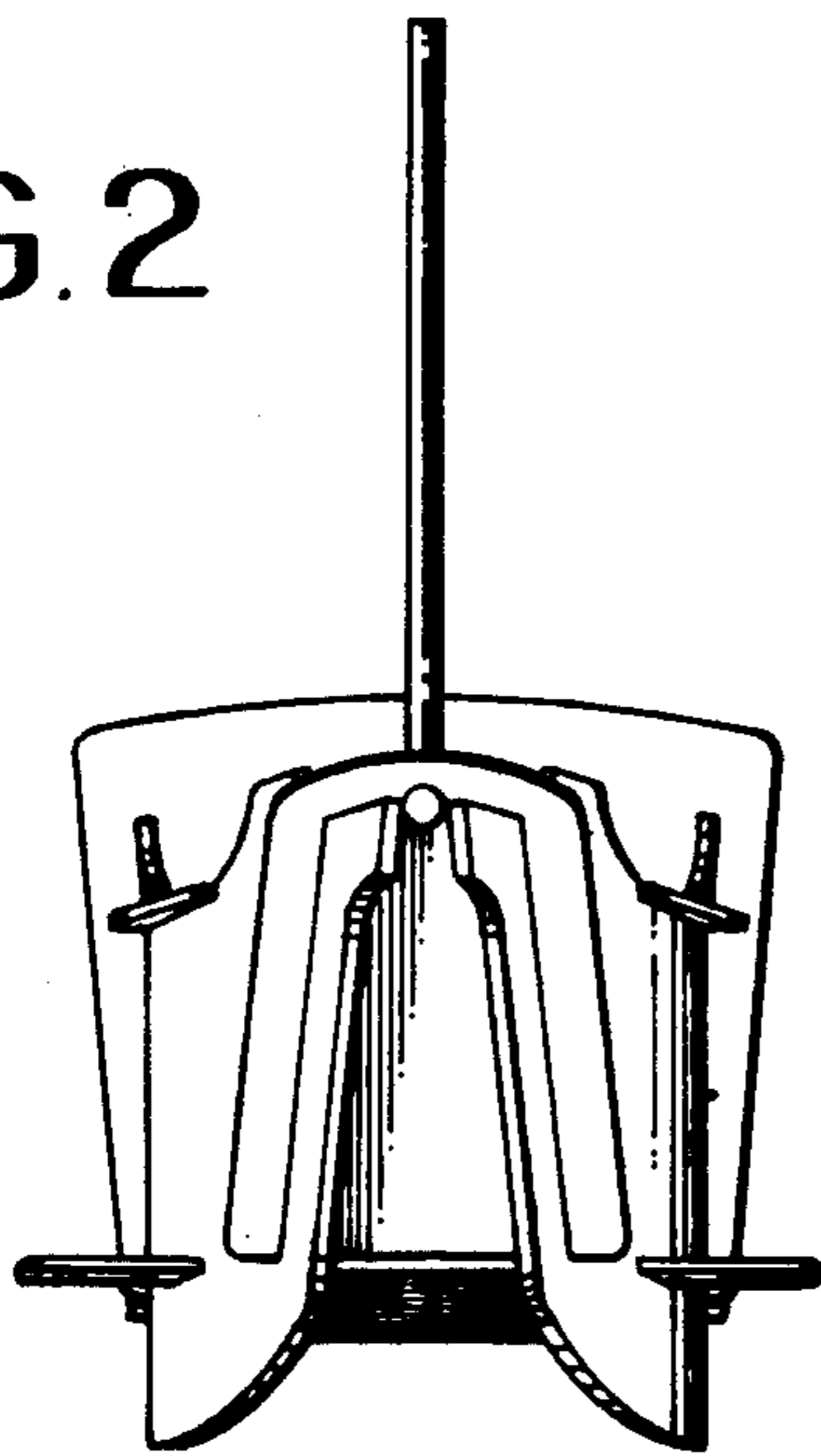


FIG. 3

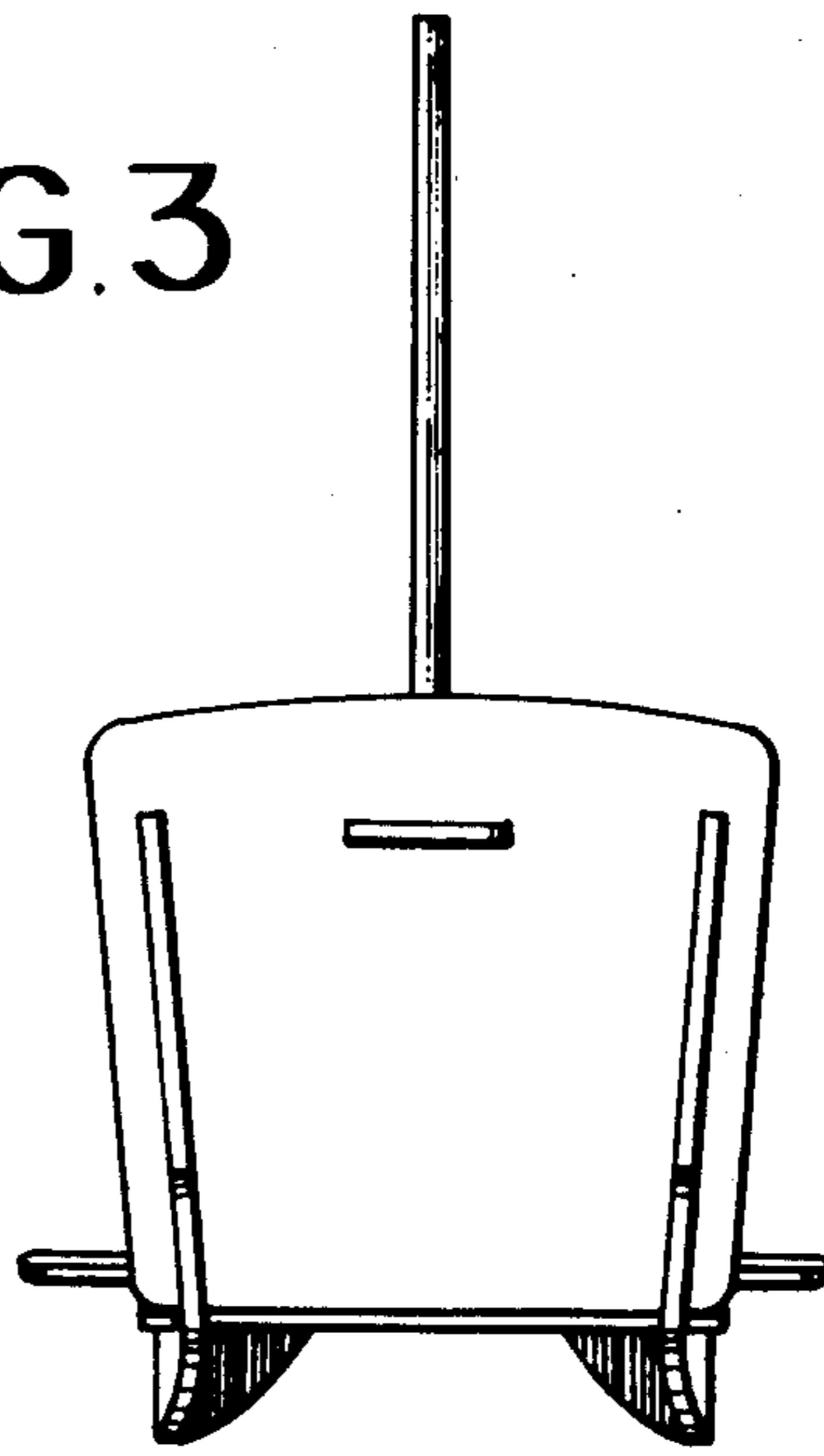


FIG. 4

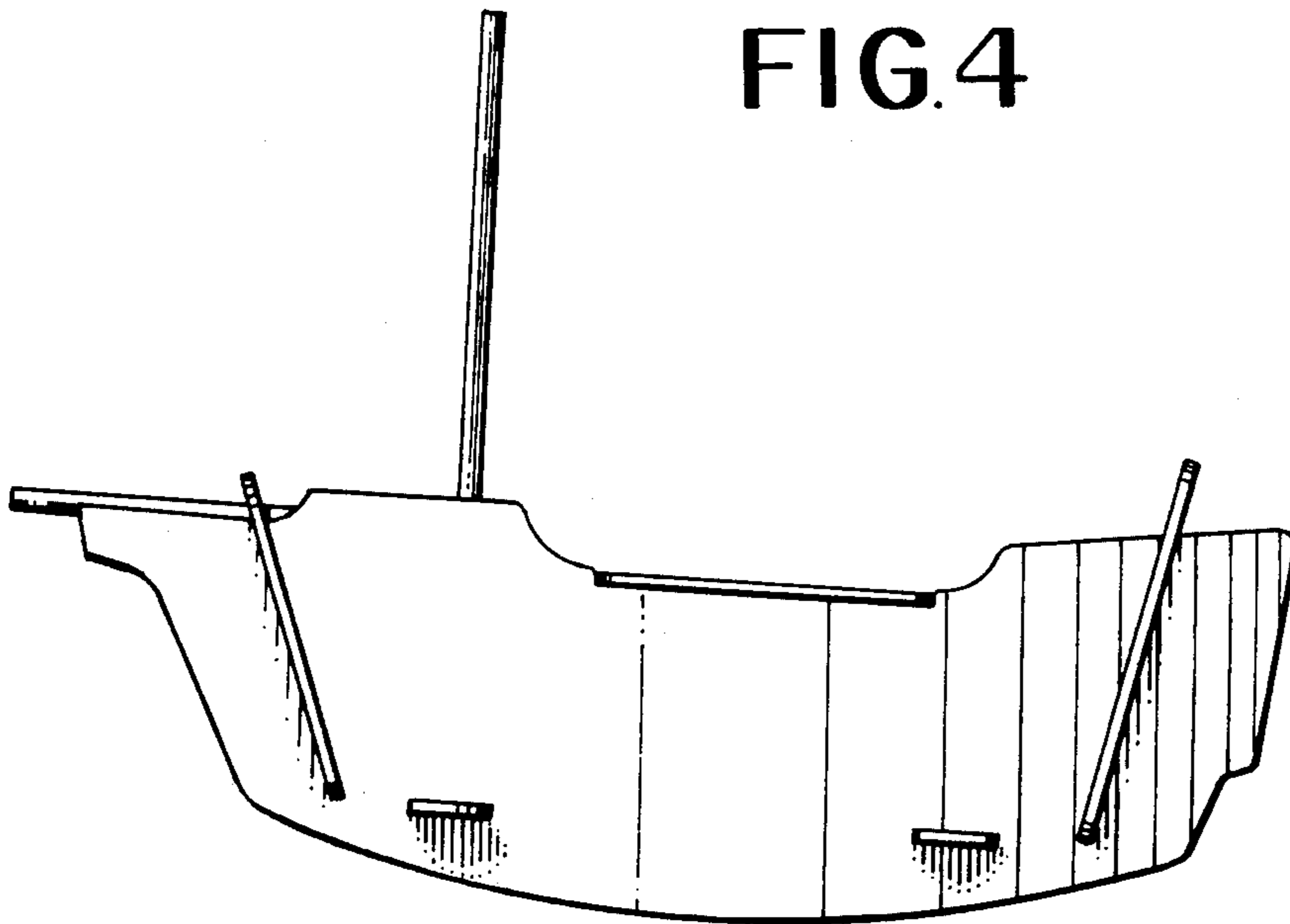


FIG. 5

