

[54] LENS MEASURING INSTRUMENT
[76] Inventor: Max Hawkins, Childs Hill Road,
Woodstock, Conn. 06281
[**] Term: 14 Years
[21] Appl. No.: 642,859
[22] Filed: Dec. 22, 1975
[51] Int. Cl. D24-01
[52] U.S. Cl. D24/8
[58] Field of Search 351/6, 17, 7, 3, 28;
356/125, 127; D83/12 R; D24/8

2,771,005 11/1956 Correll 356/125
3,002,285 10/1961 Wright 356/125
3,445,169 5/1969 Lueck 356/125
3,776,620 12/1970 Dianetti et al. 356/125

Primary Examiner—Bernard Ansher
Attorney, Agent, or Firm—William C. Nealon

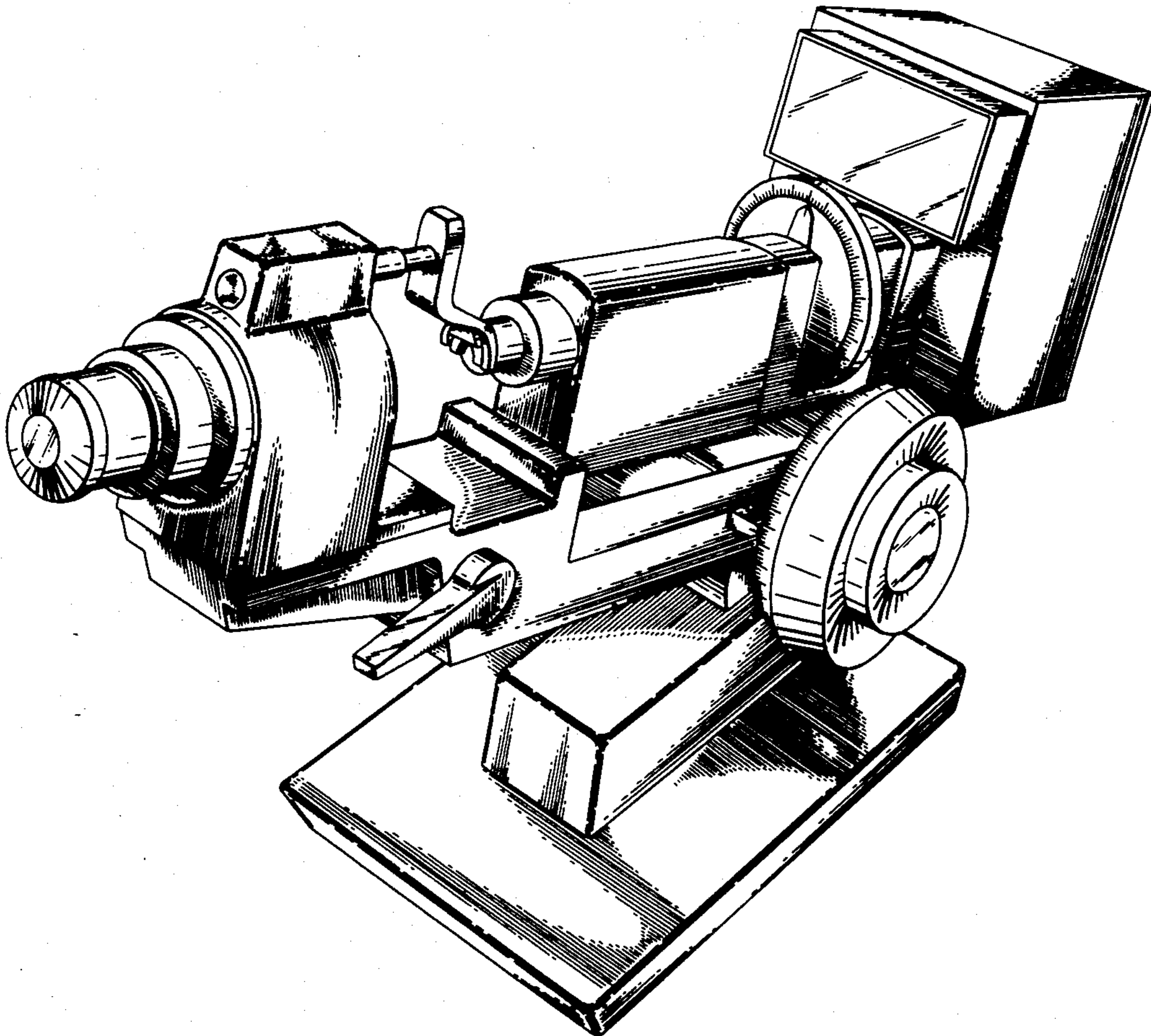
[57] CLAIM

The ornamental design for a lens measuring instrument,
as shown and described.

DESCRIPTION

FIG. 1 is a front perspective view of a lens measuring
instrument showing my new design;
FIG. 2 is a side elevation thereof;
FIG. 3 is a front elevation thereof; and
FIG. 4 is a rear elevation thereof.

[56] References Cited
U.S. PATENT DOCUMENTS
2,723,594 11/1955 Lueck 356/125



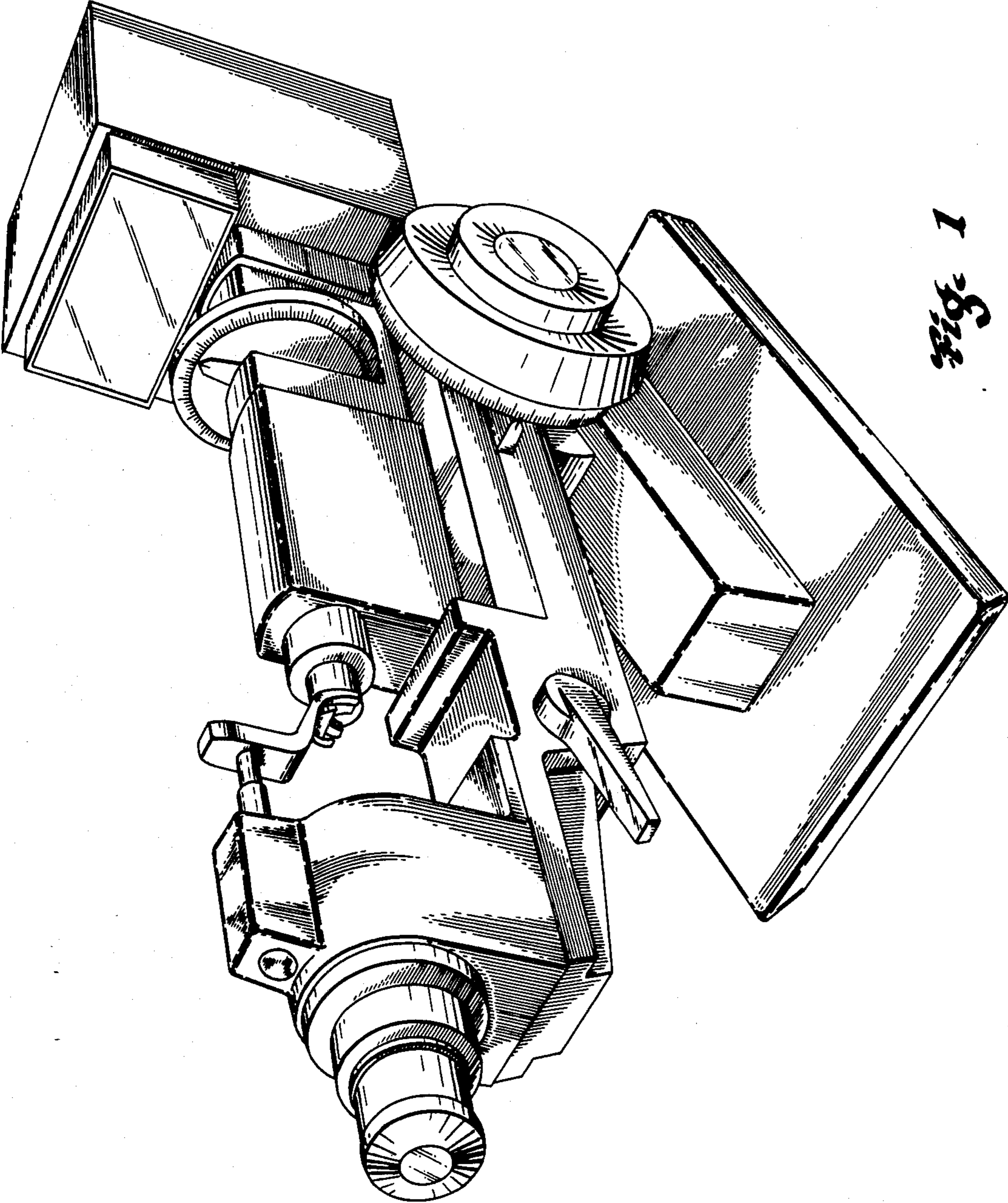


Fig. 1

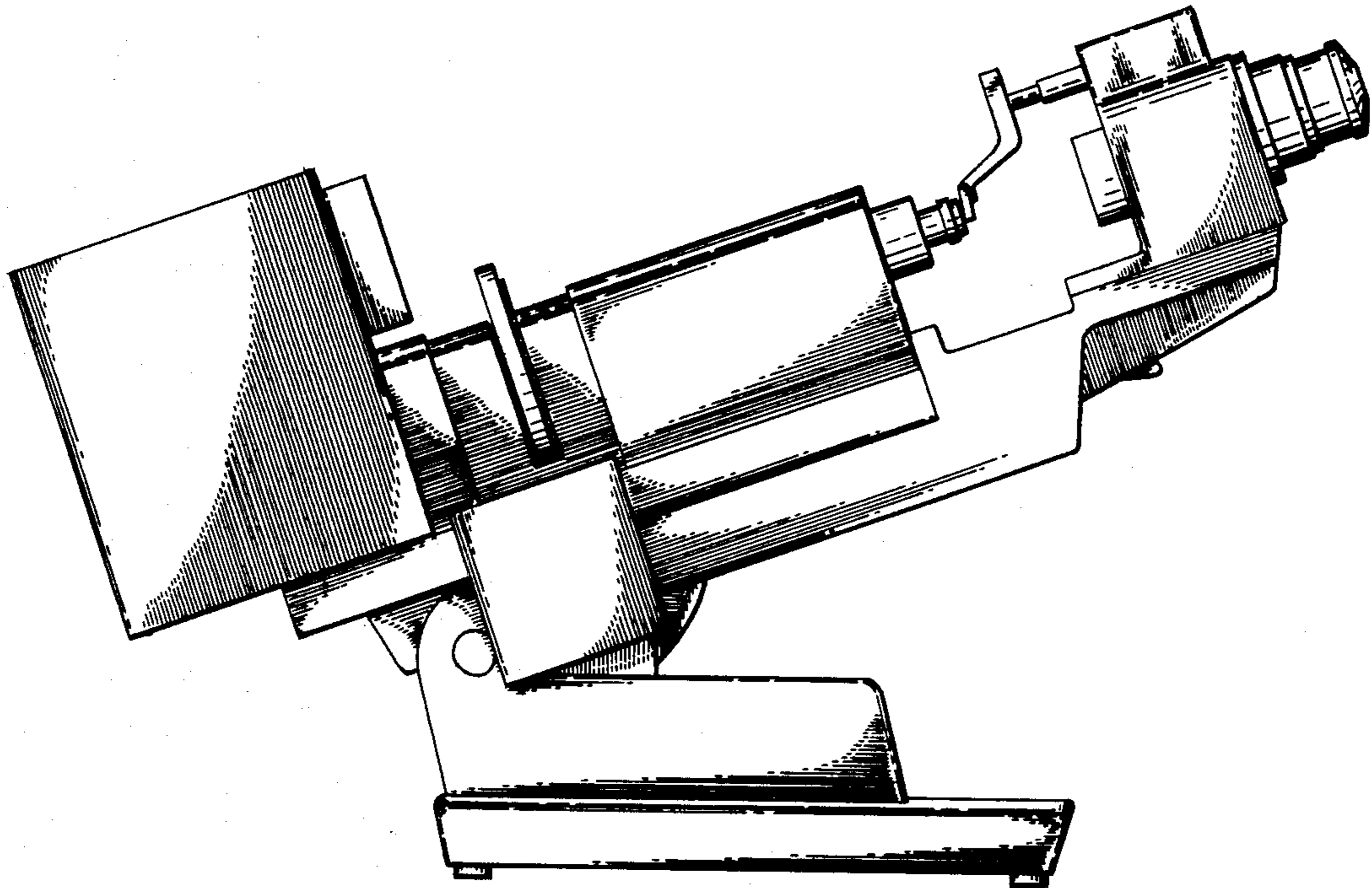


Fig. 2

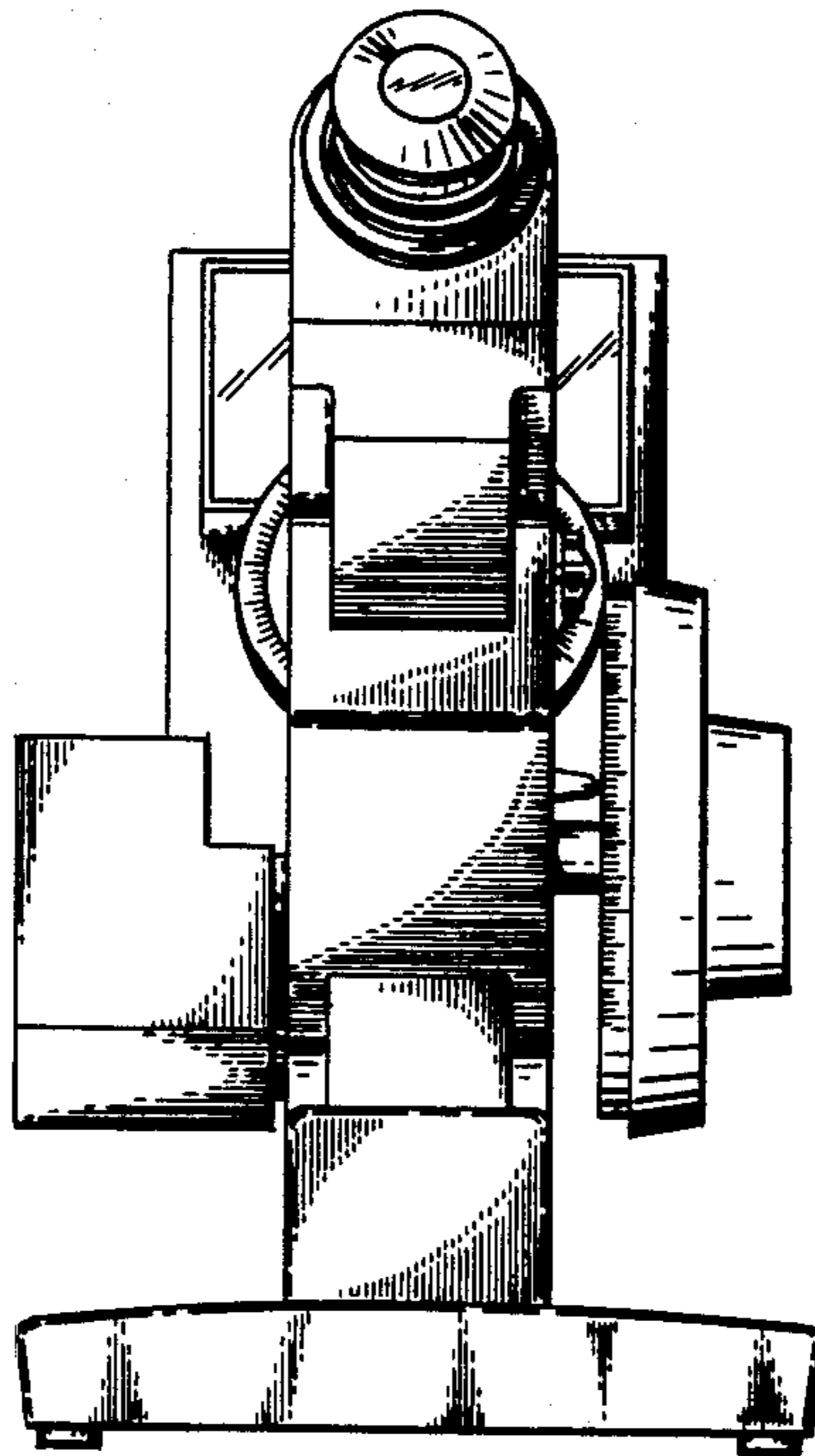


Fig. 3

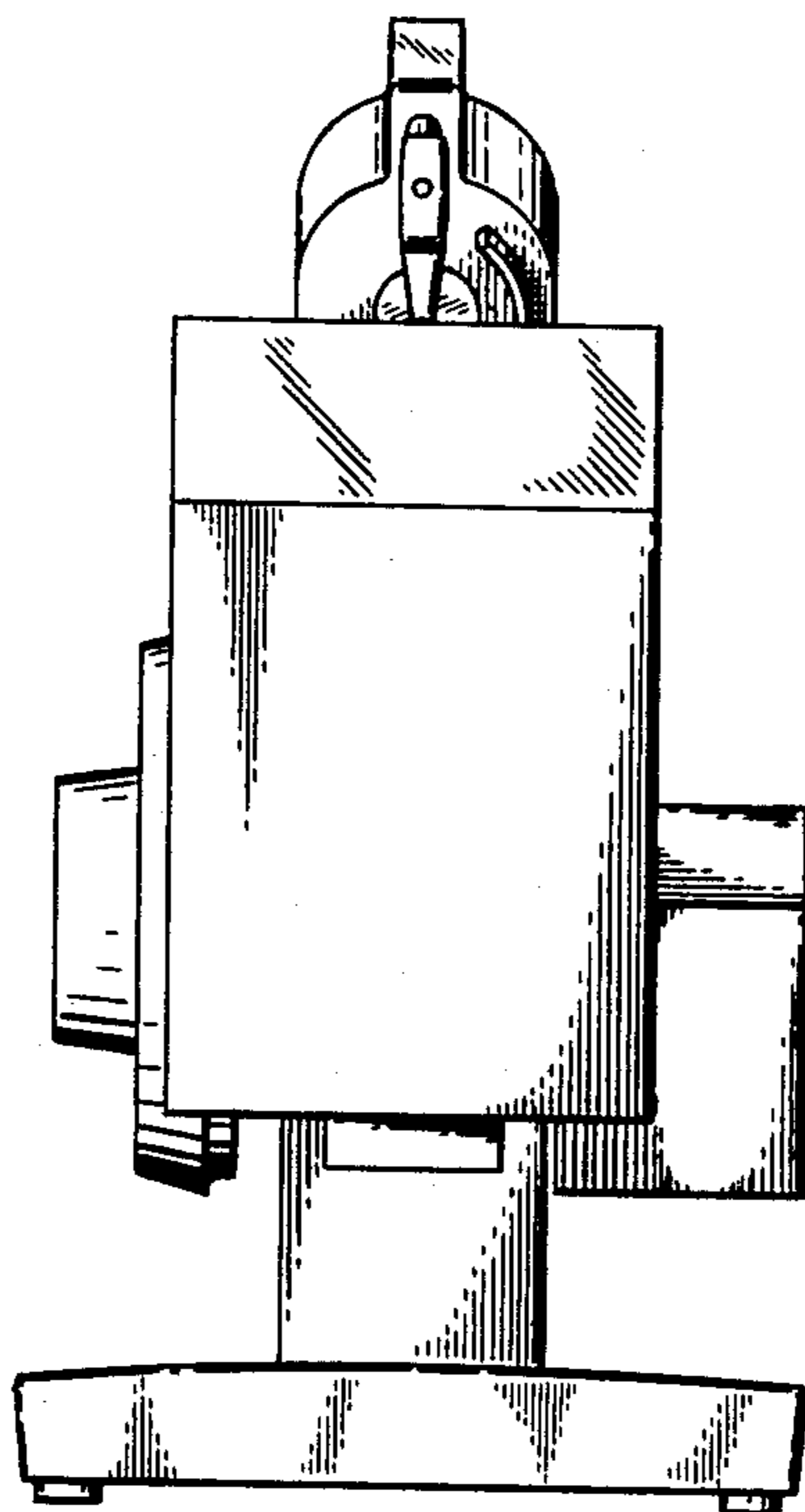


FIG. 4