

[54] TOWEL WARMER

[76] Inventors: Vincent J. Popma, 9010 SW. 15th;  
Jerome F. Moshofsky, 9019 SW.  
15th, both of Portland, Oreg. 97219

[\*\*] Term: 14 Years

[21] Appl. No.: 669,181

[22] Filed: Mar. 22, 1976

[51] Int. Cl. .... D23-03

[52] U.S. Cl. .... D23/77

[58] Field of Search ..... D23/72-138;  
34/239 R; 219/342, 345, 385, 521; D6/99

[56] References Cited

U.S. PATENT DOCUMENTS

D. 234,083 1/1975 Doyle et al. .... D23/77  
2,668,368 2/1954 Jacobs ..... 34/239 X

3,138,699 6/1964 Taylor ..... 34/239 X  
3,217,137 11/1965 Weitzner ..... 219/521 X  
3,849,629 11/1974 Graham, Jr. .... 219/385 X

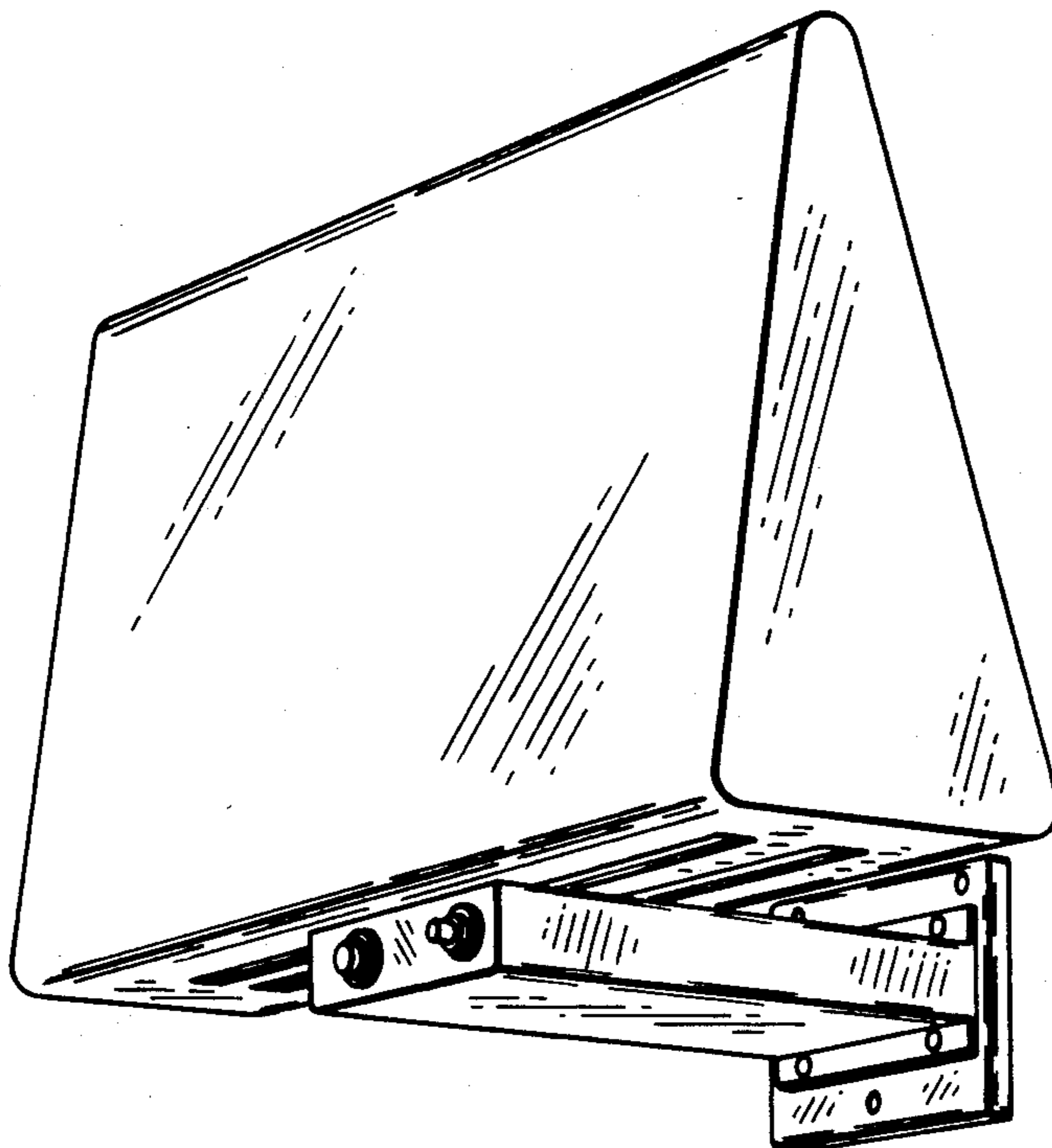
Primary Examiner—James R. Largen  
Attorney, Agent, or Firm—Francis Swanson

[57] CLAIM

The ornamental design for a towel warmer, as shown.

DESCRIPTION

FIG. 1 is a front elevational view of a towel warmer showing our new design;  
FIG. 2 is a rear elevational view thereof;  
FIG. 3 is a left side elevational view thereof;  
FIG. 4 is a bottom plan view thereof;  
FIG. 5 is a top plan view thereof;  
FIG. 6 is a perspective view taken from the front, top and left side thereof; and  
FIG. 7 is a perspective view taken from the front, bottom and right side thereof.



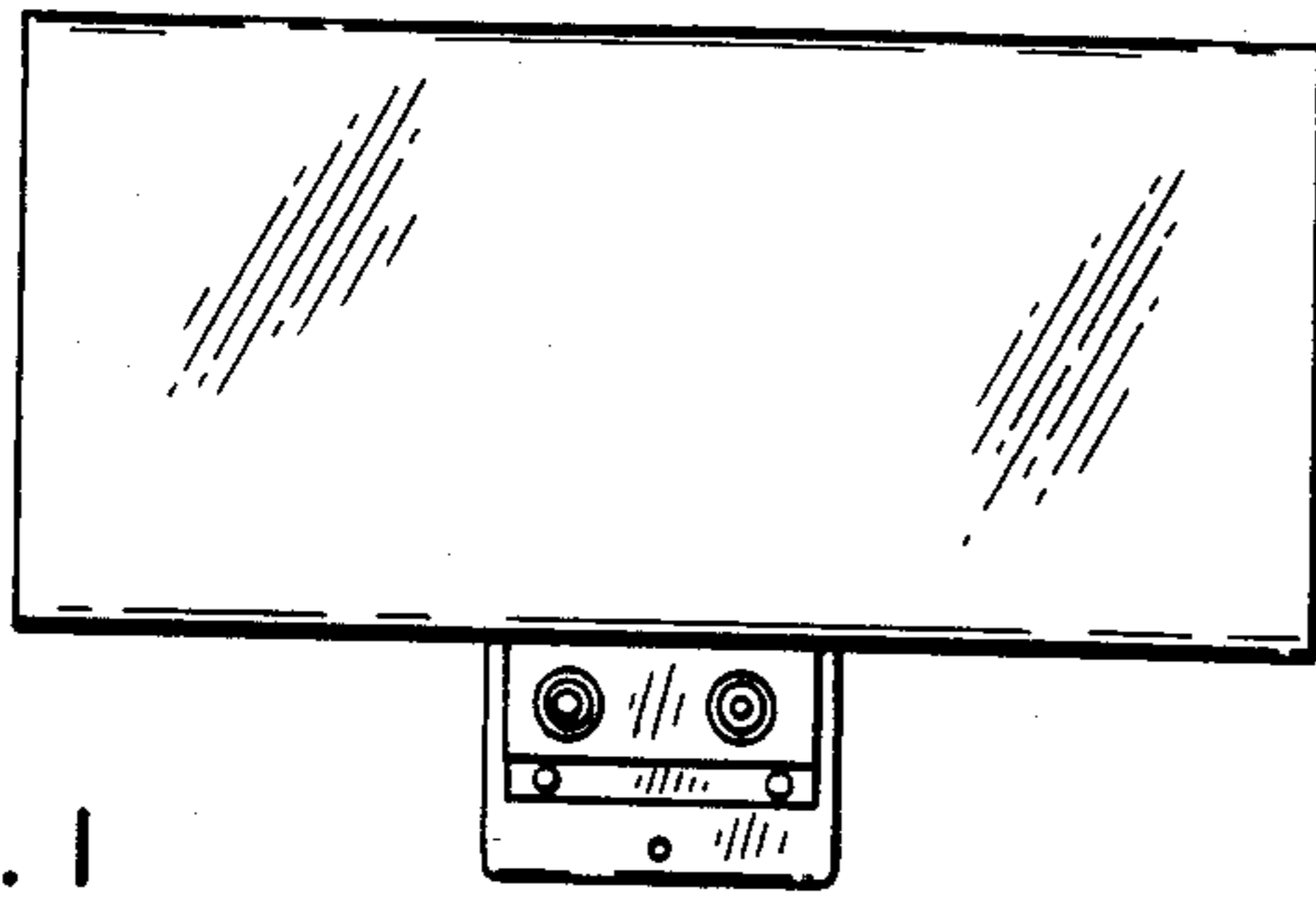


FIG. 1

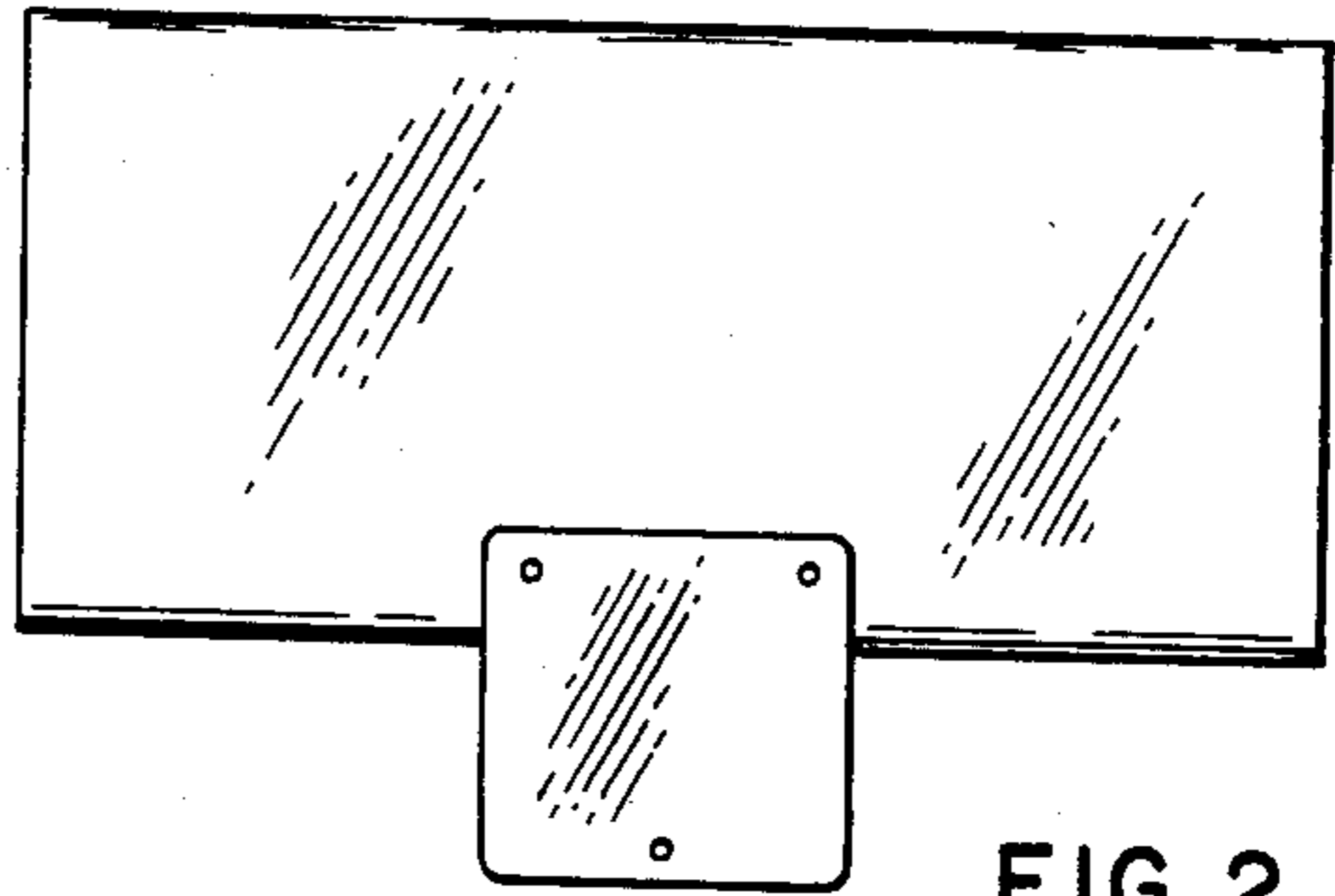


FIG. 2

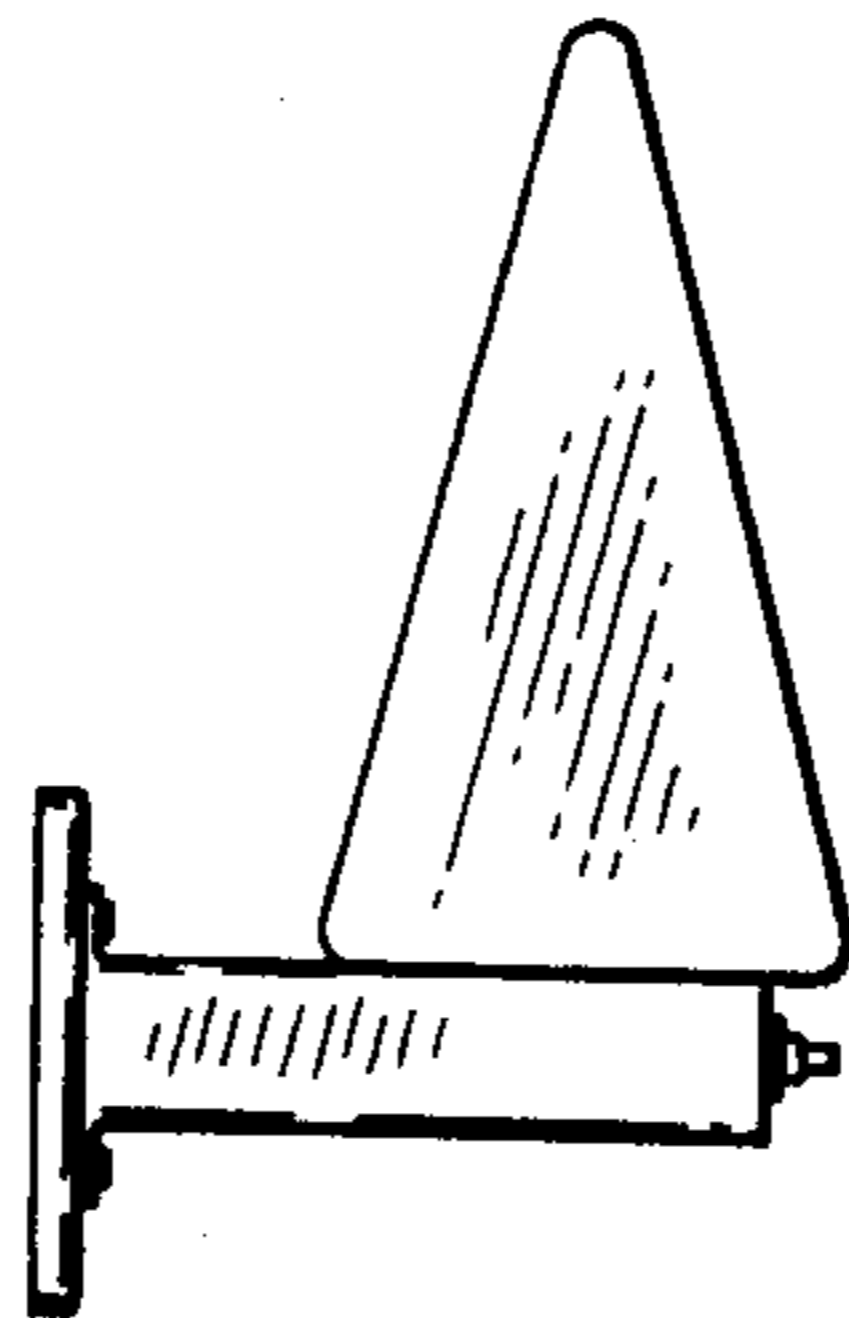


FIG. 3

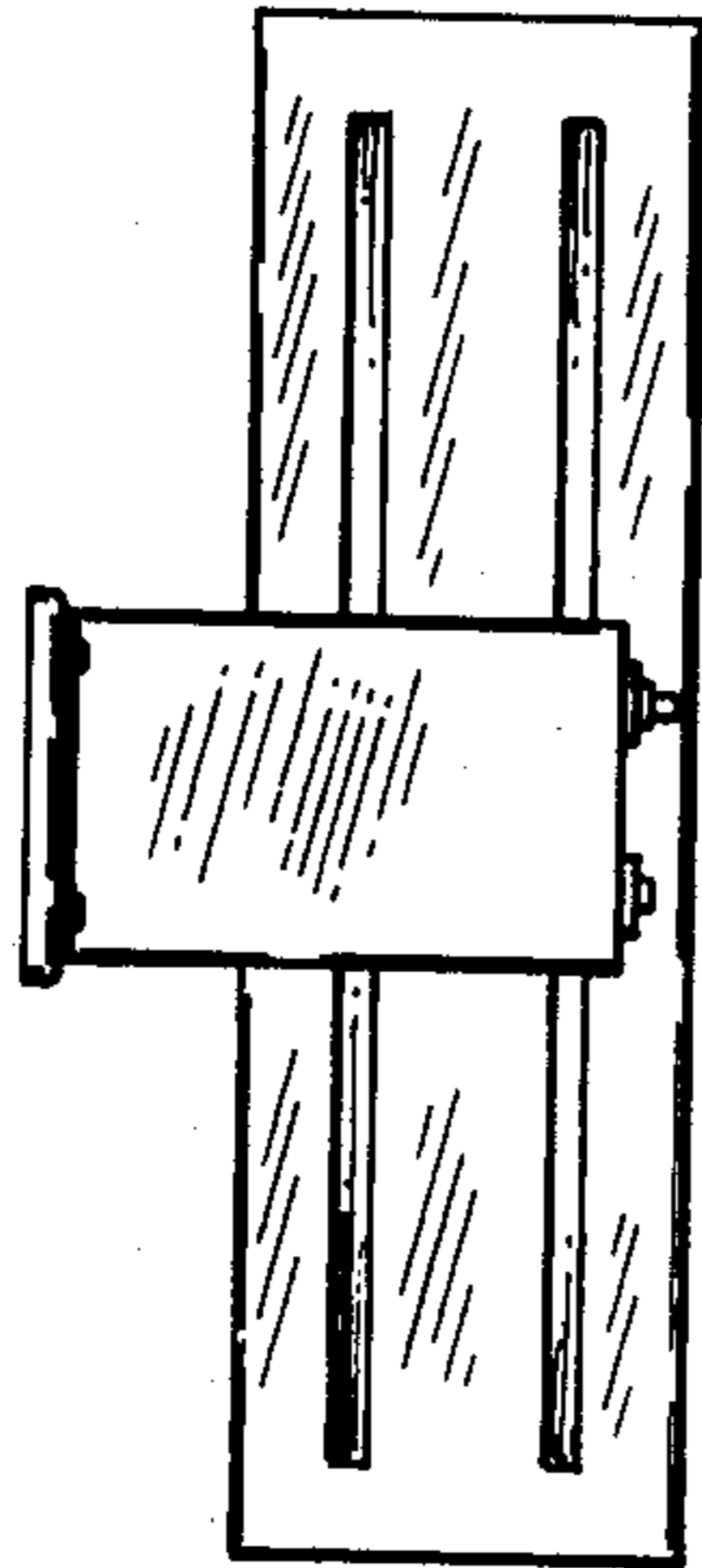


FIG. 4

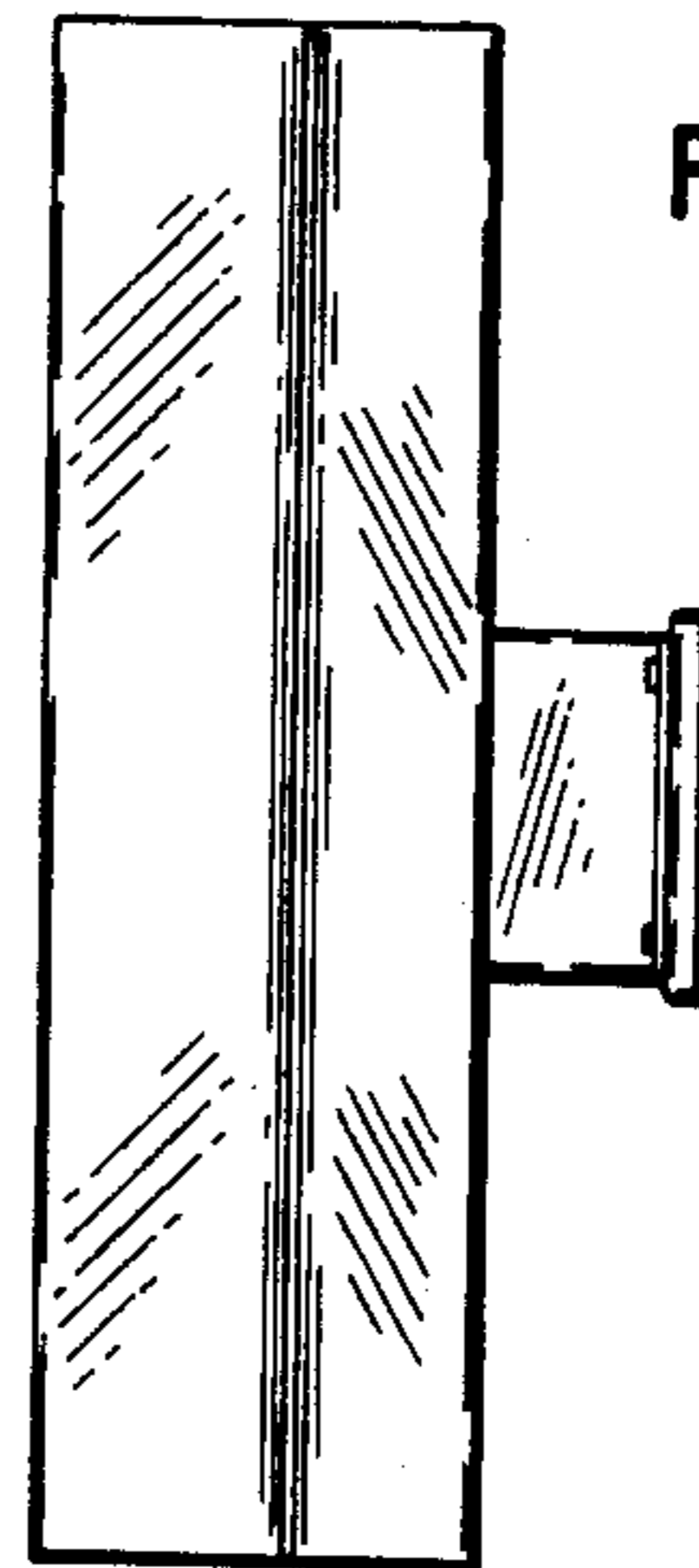


FIG. 5

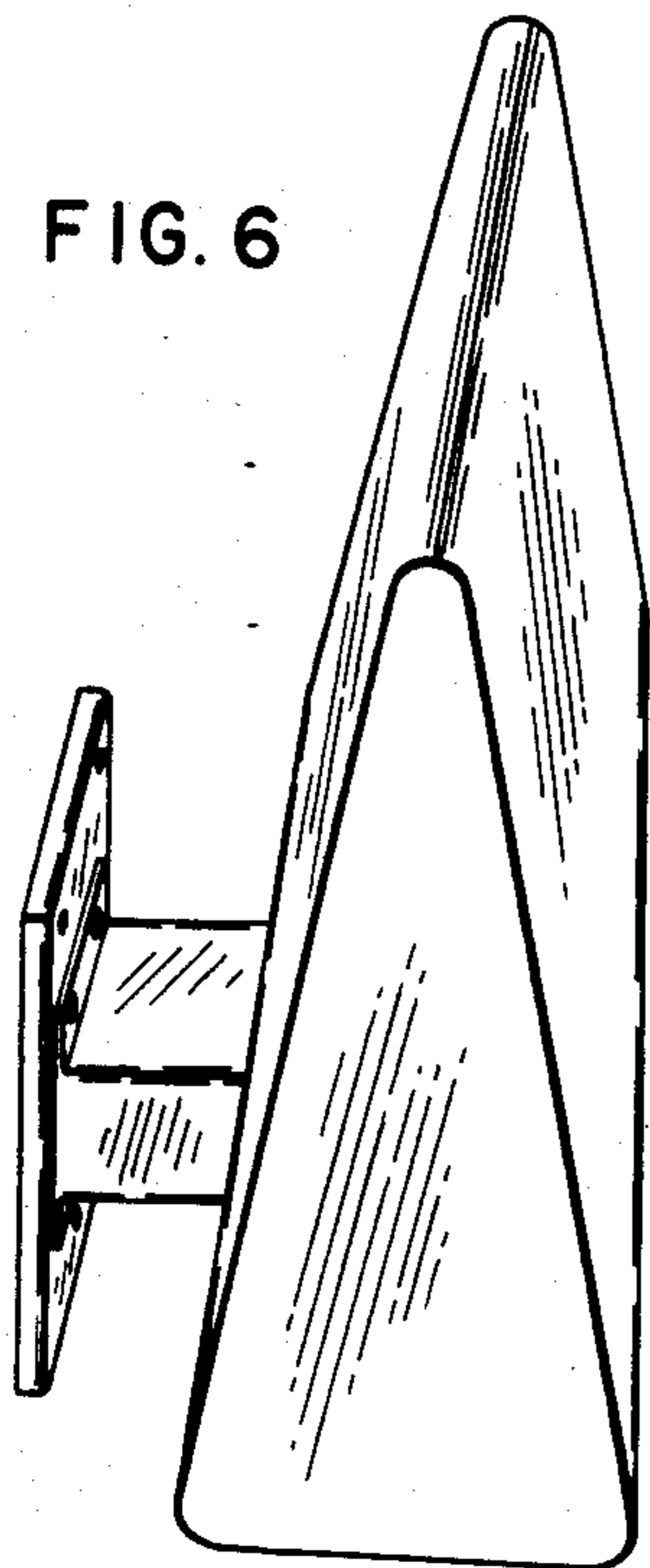


FIG. 6

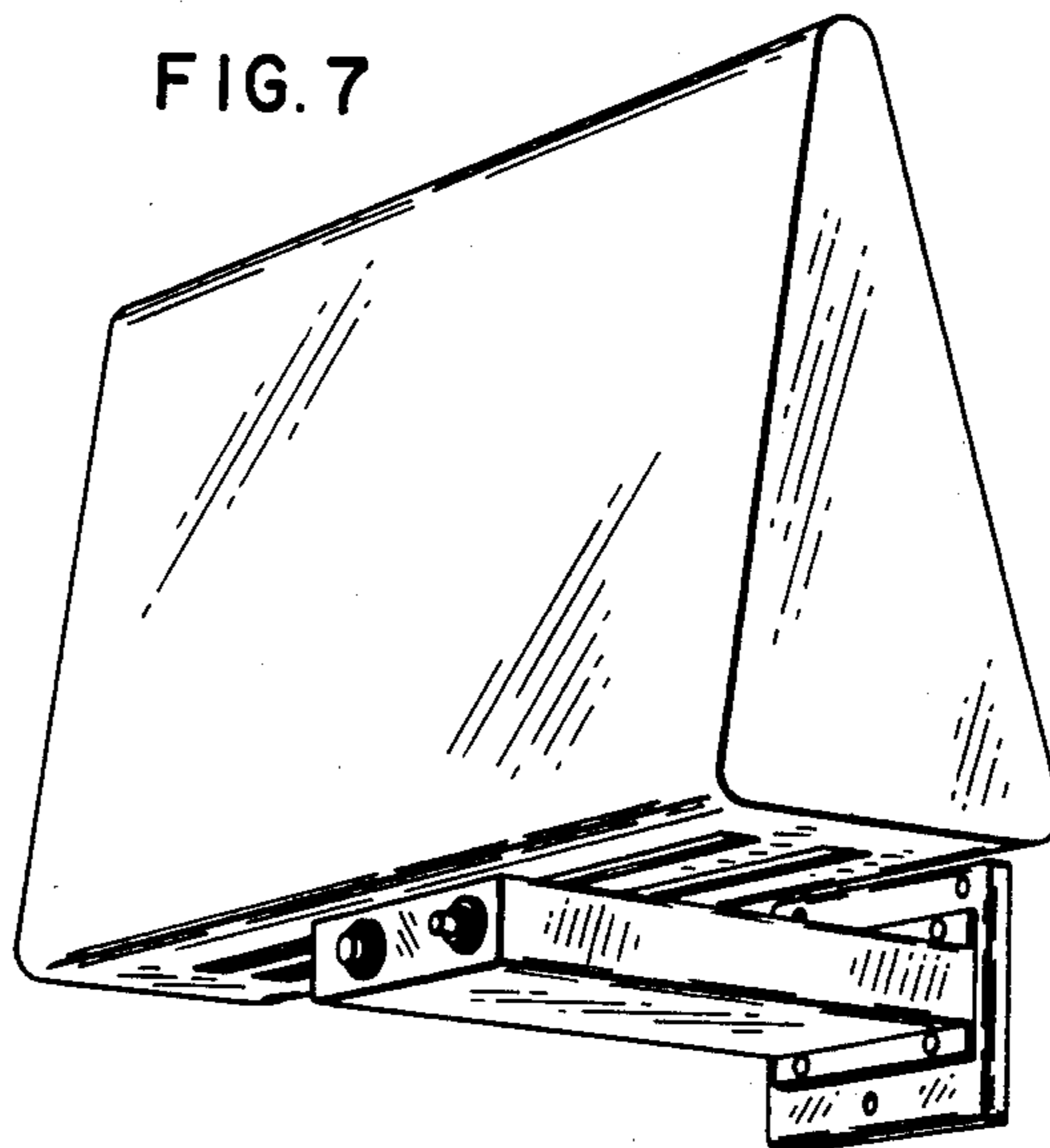


FIG. 7