

[54] REFRIGERATOR DOOR COMPARTMENTS

[75] Inventor: William J. Armstrong,
Jeffersontown, Ky.

[73] Assignee: General Electric Company

[**] Term: 14 Years

[21] Appl. No.: 718,664

[22] Filed: Aug. 30, 1976

[51] Int. Cl. D15-07

[52] U.S. Cl. D15/89

[58] Field of Search D15/89, 91; 312/138 A,
312/284, 327, 328; 62/377; 206/461, 467, 470

[56] References Cited

U.S. PATENT DOCUMENTS

D. 163,047	4/1951	Janes	D15/89
743,104	11/1903	Roesch	312/284
2,649,255	8/1953	Smallen	312/327
2,677,483	5/1954	Shaw	312/327

Primary Examiner—Wallace R. Burke

Assistant Examiner—James M. Gandy
Attorney, Agent, or Firm—Frank P. Giacalone

[57] CLAIM

The ornamental design for refrigerator door compartments, substantially as shown and described.

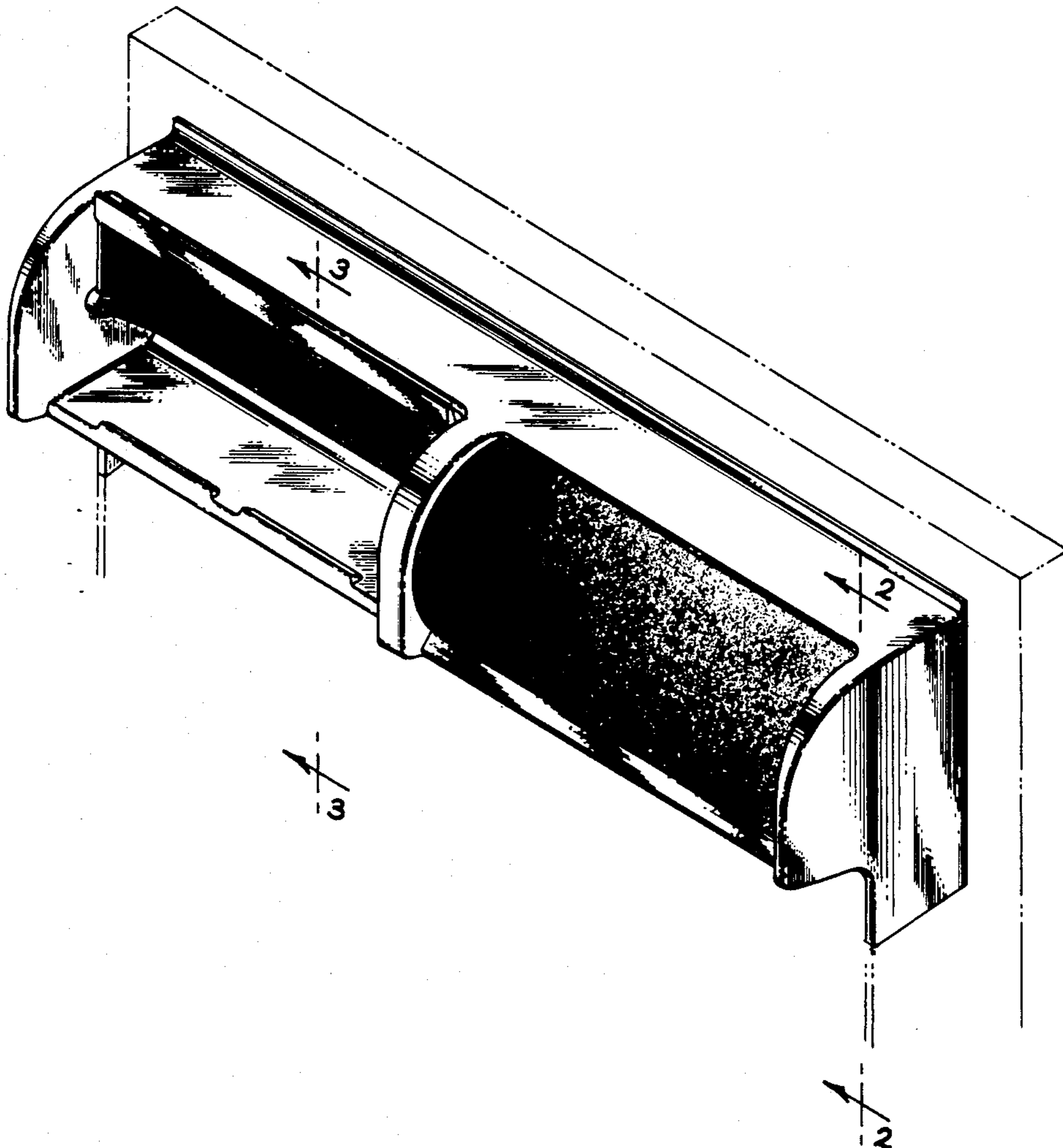
DESCRIPTION

FIG. 1 is a perspective view of the refrigerator door compartments showing my new design with one of the compartment lids in open condition and exposing the associated compartment, it being understood that the side opposite to that shown herein is a mirror image thereof and the fragmentary broken line showing of the refrigerator door is for illustrative purposes only.

FIG. 2 is a cross sectional view thereof taken on lines 2—2 of FIG. 1 in the direction of the arrow showing the compartment lid in the closed position; and

FIG. 3 is a cross sectional view thereof taken on lines 3—3 of FIG. 1 in the direction of the arrow showing the compartment lid in the open position.

The stippled surface shading is intended to show contrast in color between the compartment lid and the surrounding surfaces rather than surface texture.



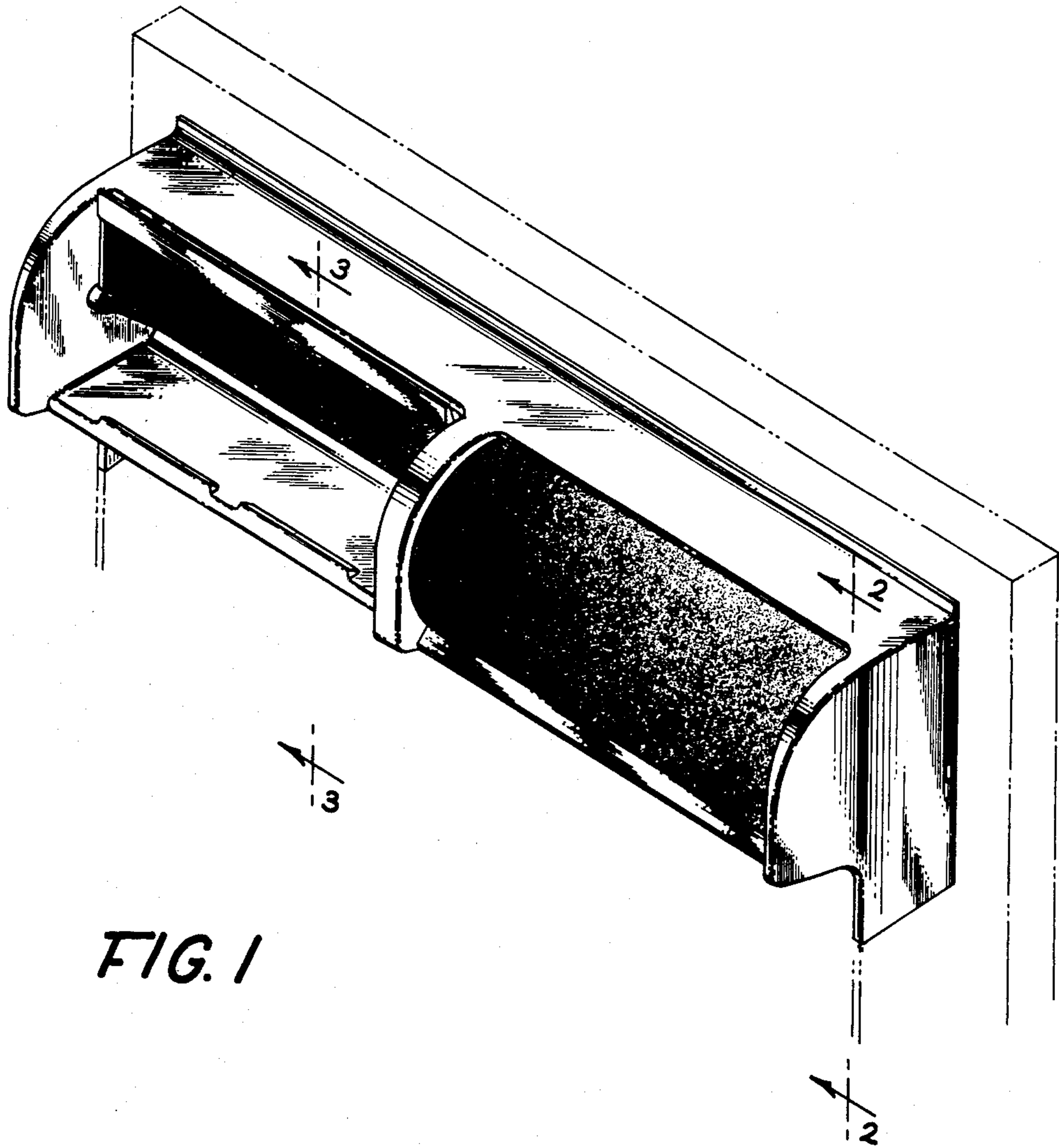


FIG. 1

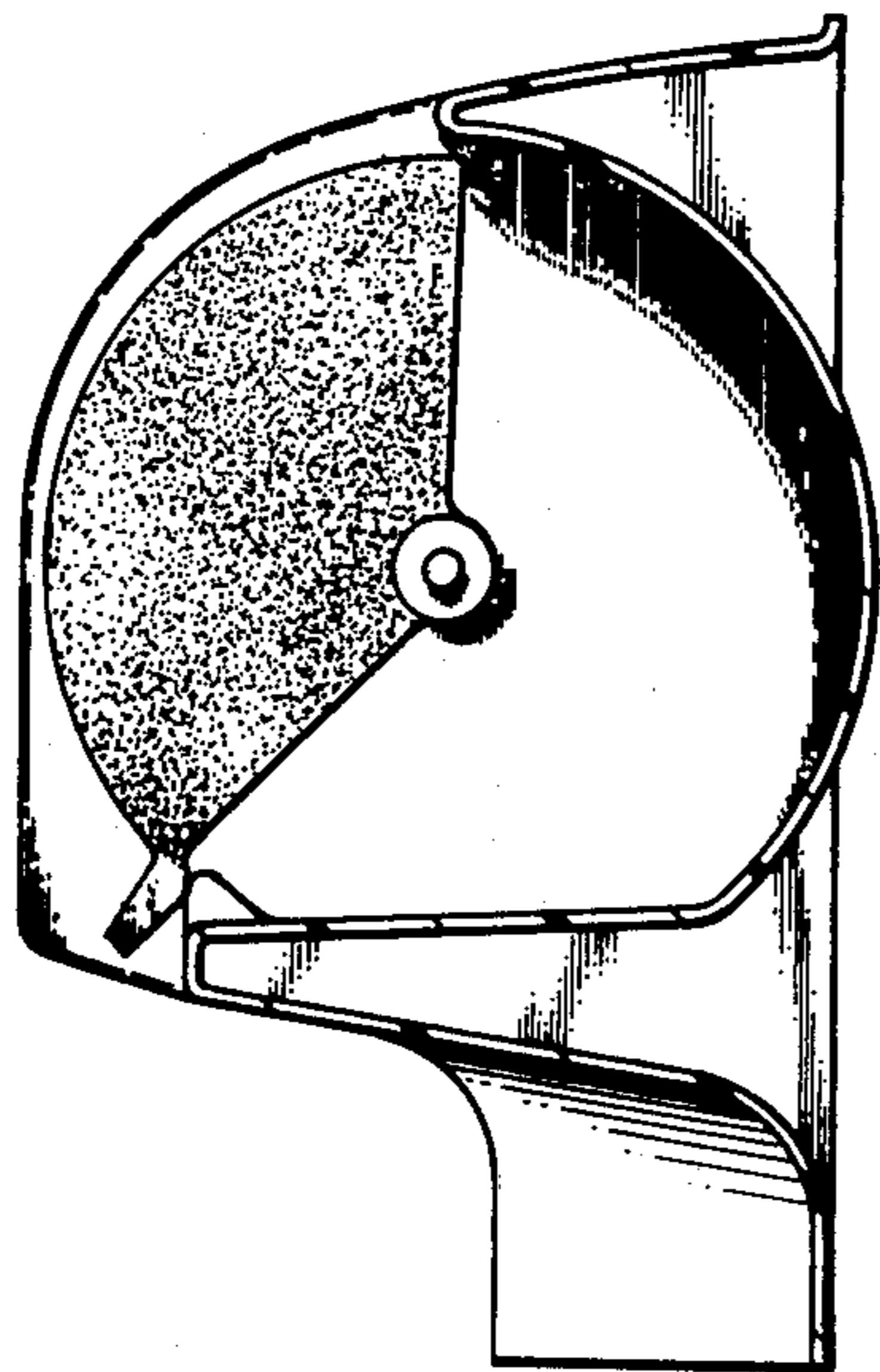


FIG. 2

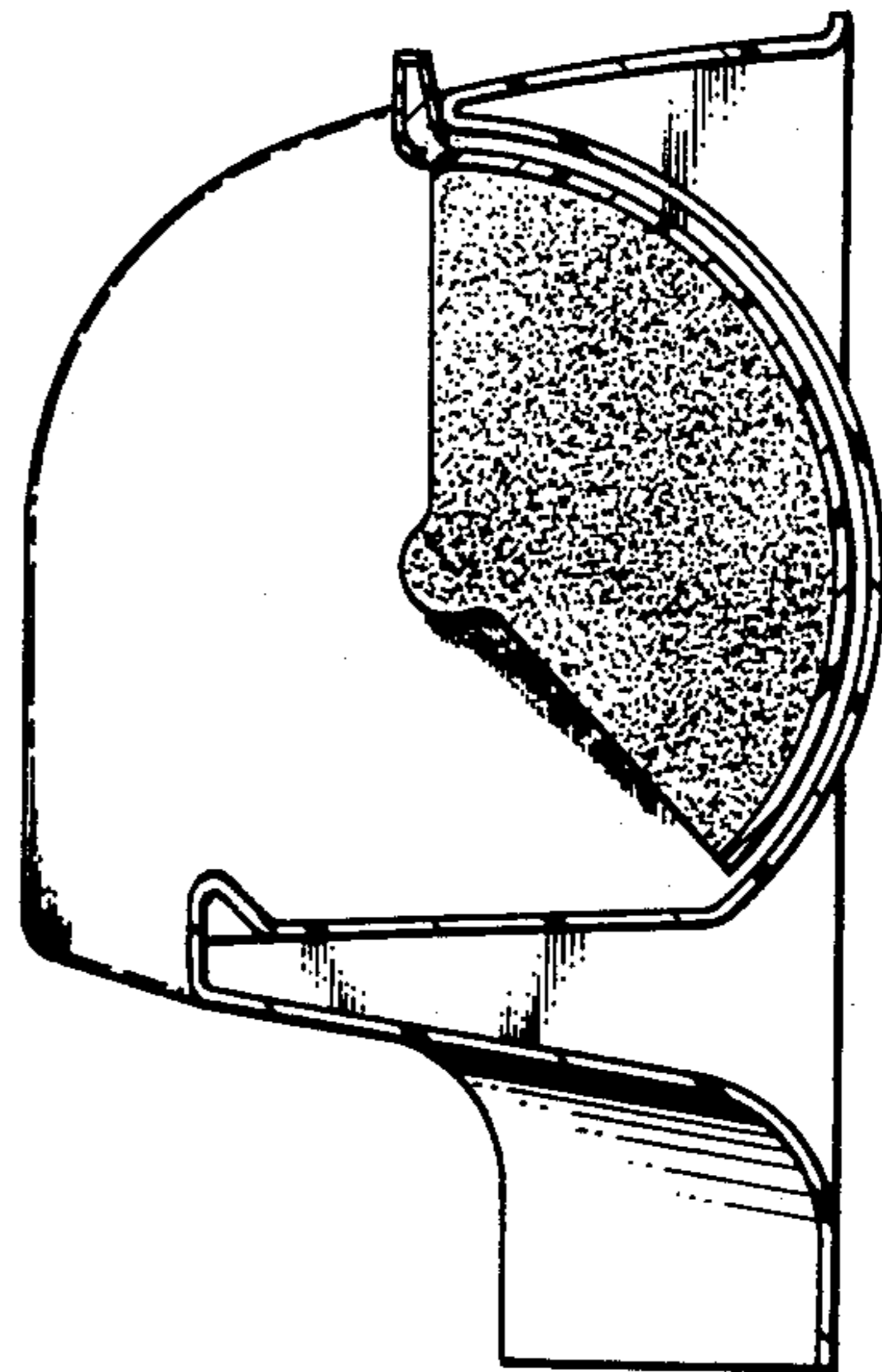


FIG. 3