

[54] DATA PRINTER

[75] Inventors: Stanley E. Thorwaldsen, Grosse Pointe Farms; David McElroy, St. Clair Shores, both of Mich.

[73] Assignee: Sycor, Inc., Ann Arbor, Mich.

[**] Term: 14 Years

[21] Appl. No.: 677,535

[22] Filed: Apr. 16, 1976

[51] Int. Cl. D14-02

[52] U.S. Cl. D14/50

[58] Field of Search D64/11 R, 11 B, 11 C

[56] References Cited

U.S. PATENT DOCUMENTS

D. 229,634 12/1973 Bermender, Jr. D64/11 R

D. 239,721 4/1976 Davis, Jr. D26/5 C
D. 240,137 6/1976 Jenkins et al. D26/5 C

OTHER PUBLICATIONS

GTE Information Systems, Inc. Catalog-Form B174-10-Rev. 5/74-Printer Models 7010, 7012.

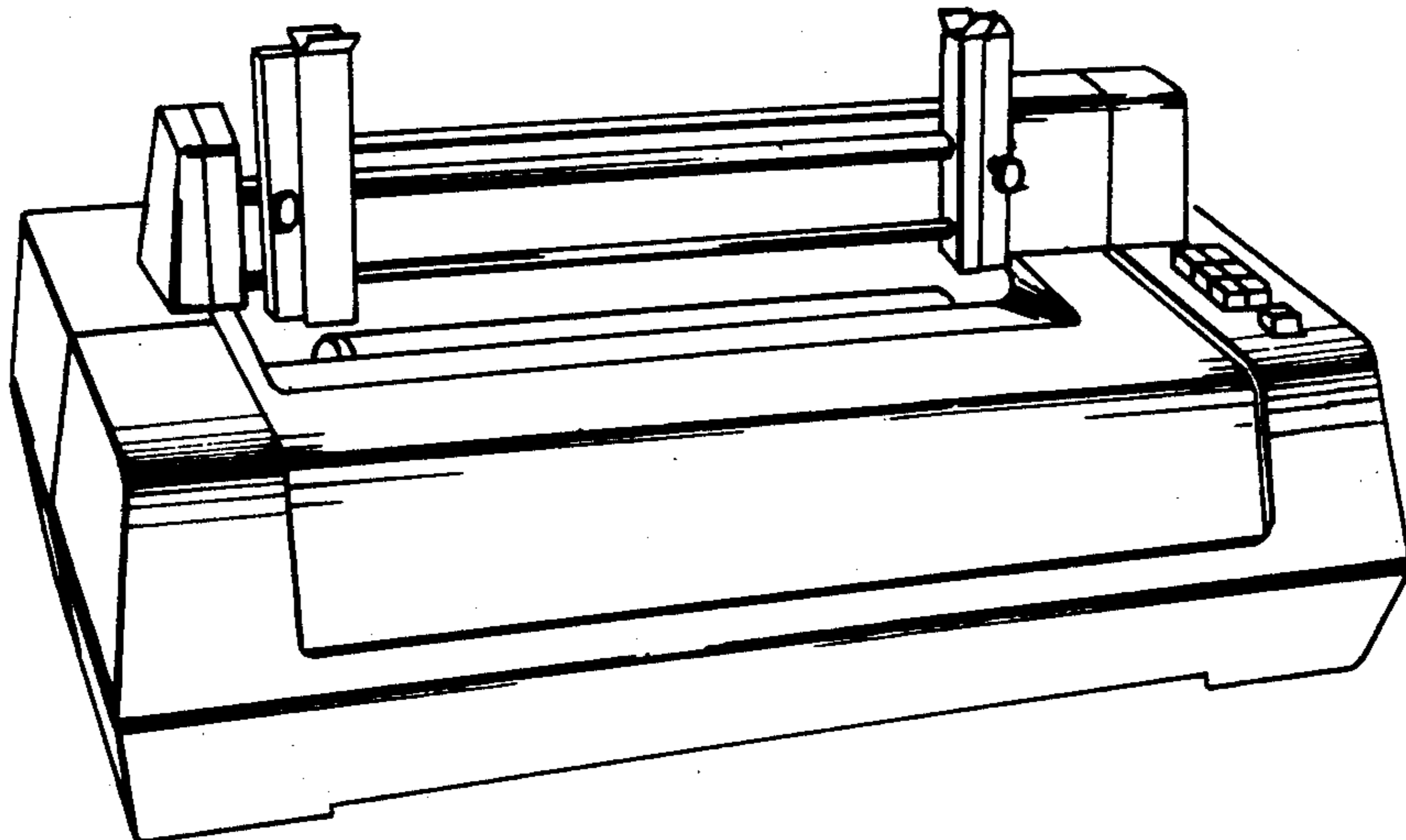
Primary Examiner—James R. Largen
Assistant Examiner—Catherine Kemper
Attorney, Agent, or Firm—Peter P. Price

[57] CLAIM

The ornamental design for a data printer, substantially as shown.

DESCRIPTION

FIG. 1 is a front perspective view of a data printer, showing our new design
FIG. 2 is a rear elevational view thereof; and
FIG. 3 is a top plan view thereof.



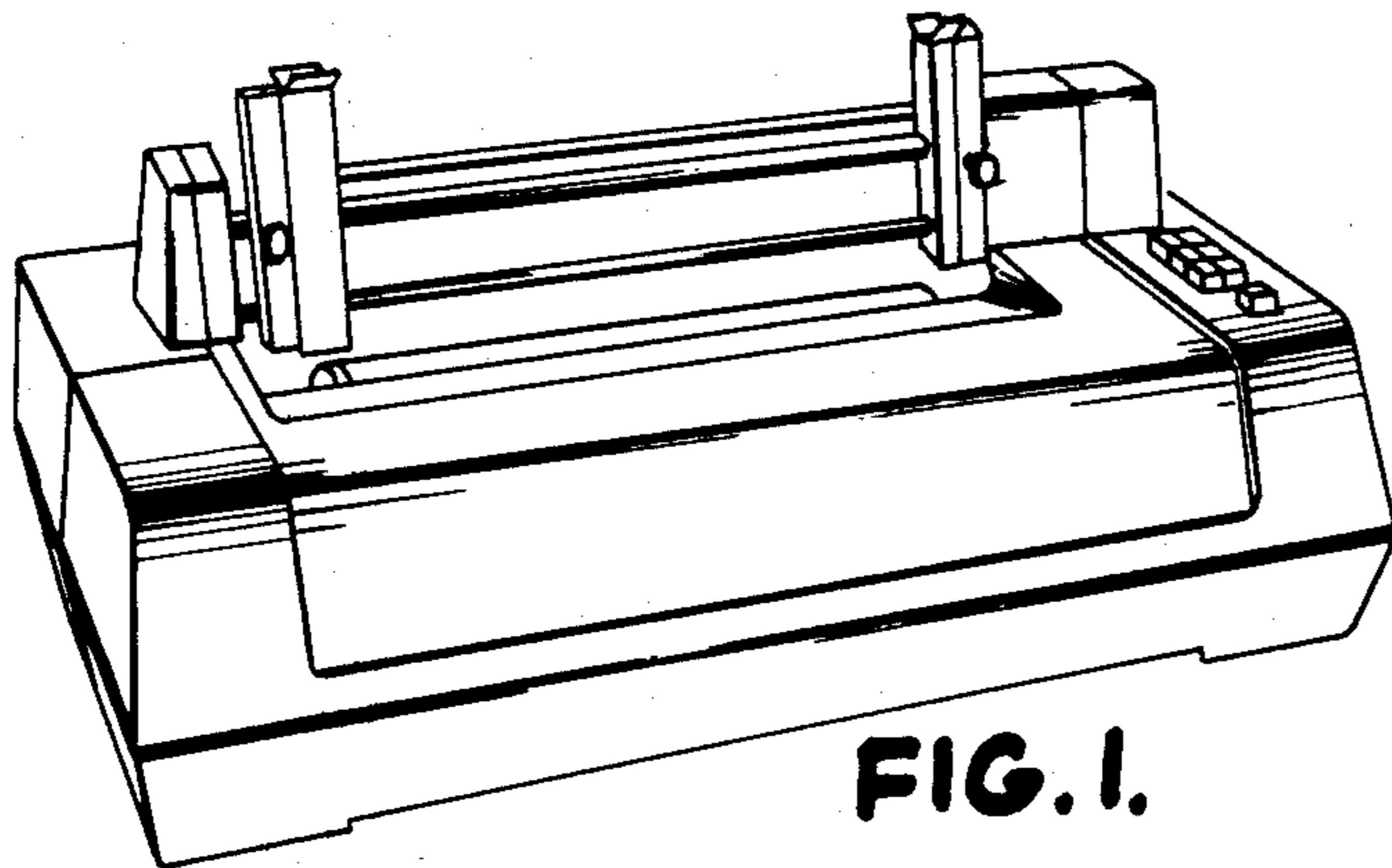


FIG. 1.

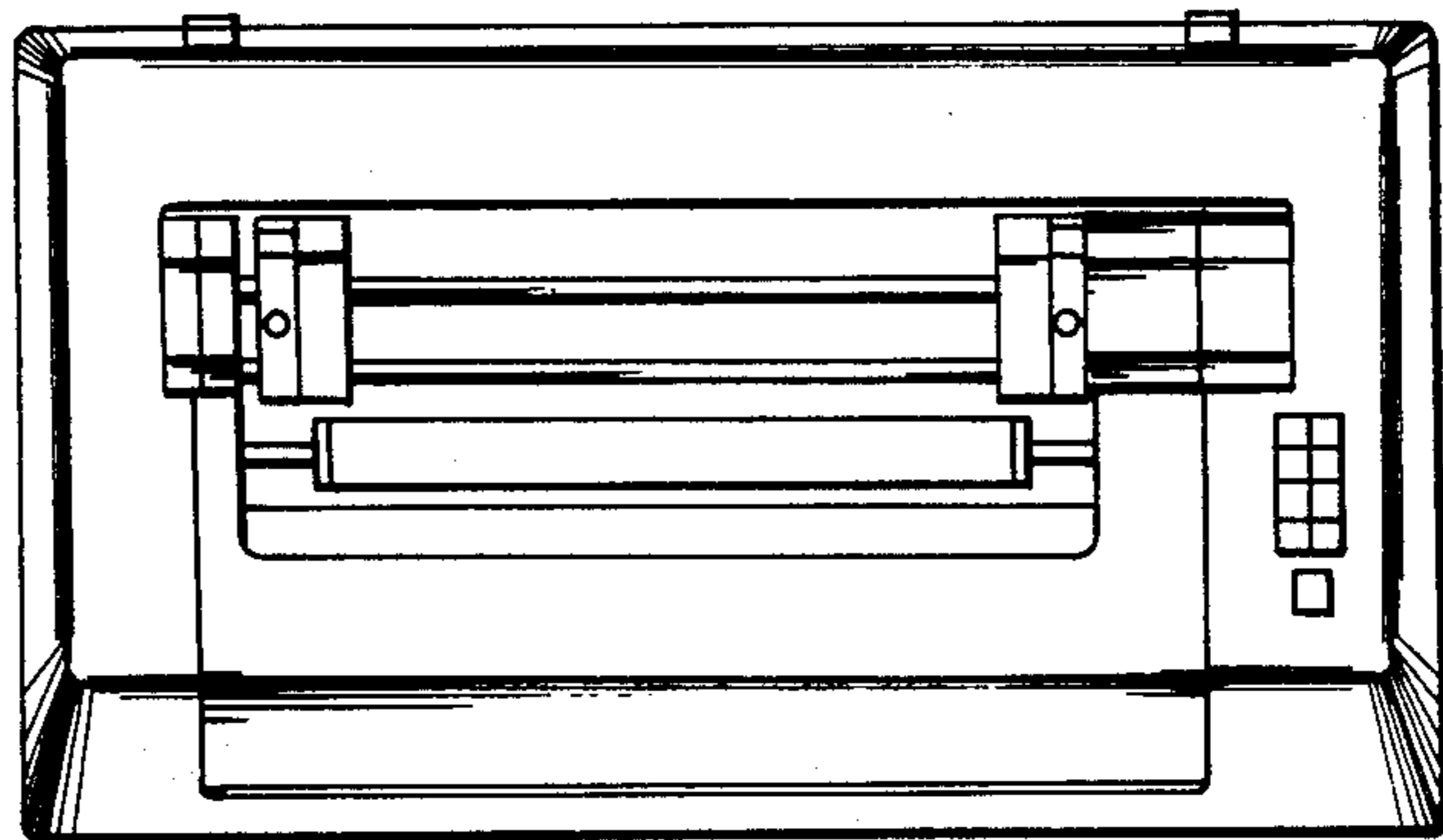


FIG. 3.

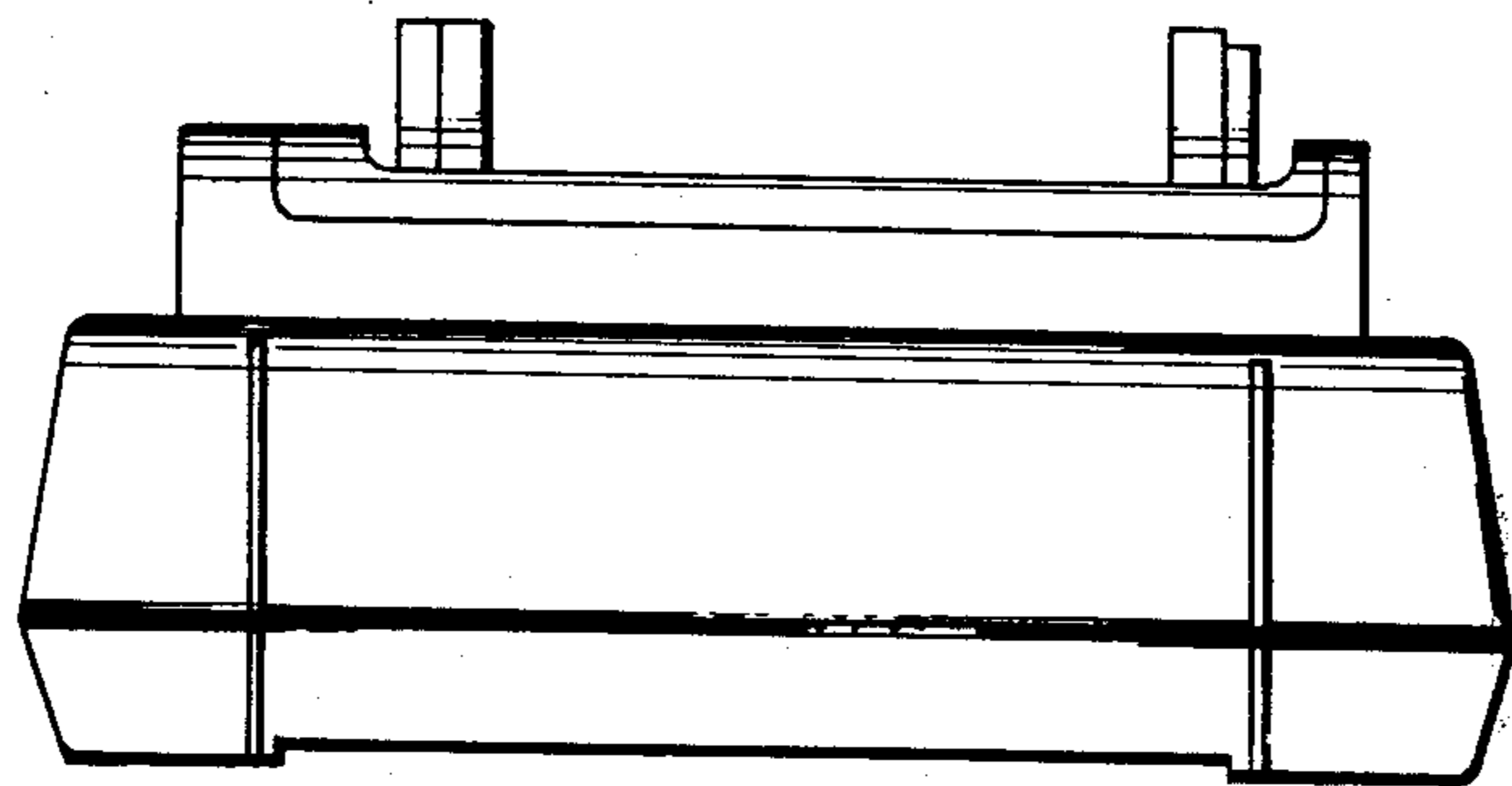


FIG. 2.