

[54] BUFFER BASE HOUSING

[76] Inventors: Robert C. Deuchar, 209 Bayview Drive, San Carlos, Calif. 94070; Gene J. Waitzman, 1055 Avondale St., San Jose, Calif. 95129

[**] Term: 14 Years

[21] Appl. No.: 673,635

[22] Filed: Apr. 5, 1976

D. 87,851	9/1932	Myers	D15/50
D. 109,470	5/1938	Boller	D15/56
D. 158,804	5/1950	Sawchuk	D15/50
D. 166,572	4/1952	Pond	D15/50

Primary Examiner—Wallace R. Burke
Assistant Examiner—Catherine Kemper
Attorney, Agent, or Firm—Harvey G. Lowhurst

[57] CLAIM

The ornamental design for a buffer base housing, as shown and described.

DESCRIPTION

FIG. 1 is a top perspective view of a buffer base housing, showing our new design,
FIG. 2 is a side elevational view thereof, the opposite side being substantially a mirror image thereof,
FIG. 3 is a top plan view thereof,
FIG. 4 is an end elevational view thereof,
FIG. 5 is a top plan view of a second embodiment thereof;
FIG. 6 is an end elevational view thereof;
FIG. 7 is a top plan view of a third embodiment thereof;
and
FIG. 8 is an end elevational view thereof.

Related U.S. Application Data

[63] Continuation-in-part of Ser. No. 547,623, Feb. 2, 1975, abandoned.

[51] Int. Cl. D15-05

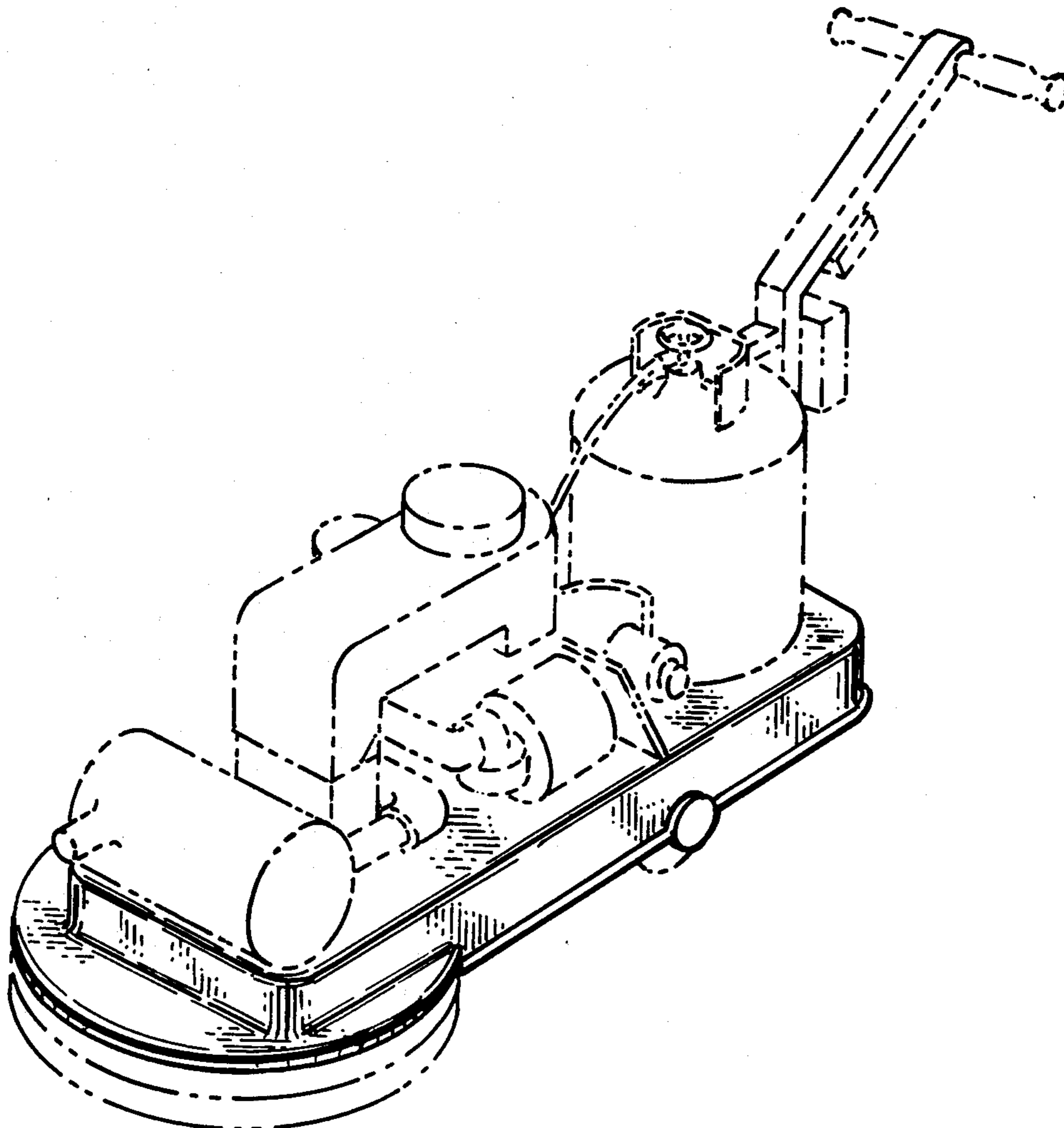
[52] U.S. Cl. D15/48

[58] Field of Search D15/48-51, D15/56; 15/320, 327 R, 49 R, 49 C, 50 R, 50 C

[56] References Cited

U.S. PATENT DOCUMENTS

D. 70,552 7/1926 Finnell D15/56



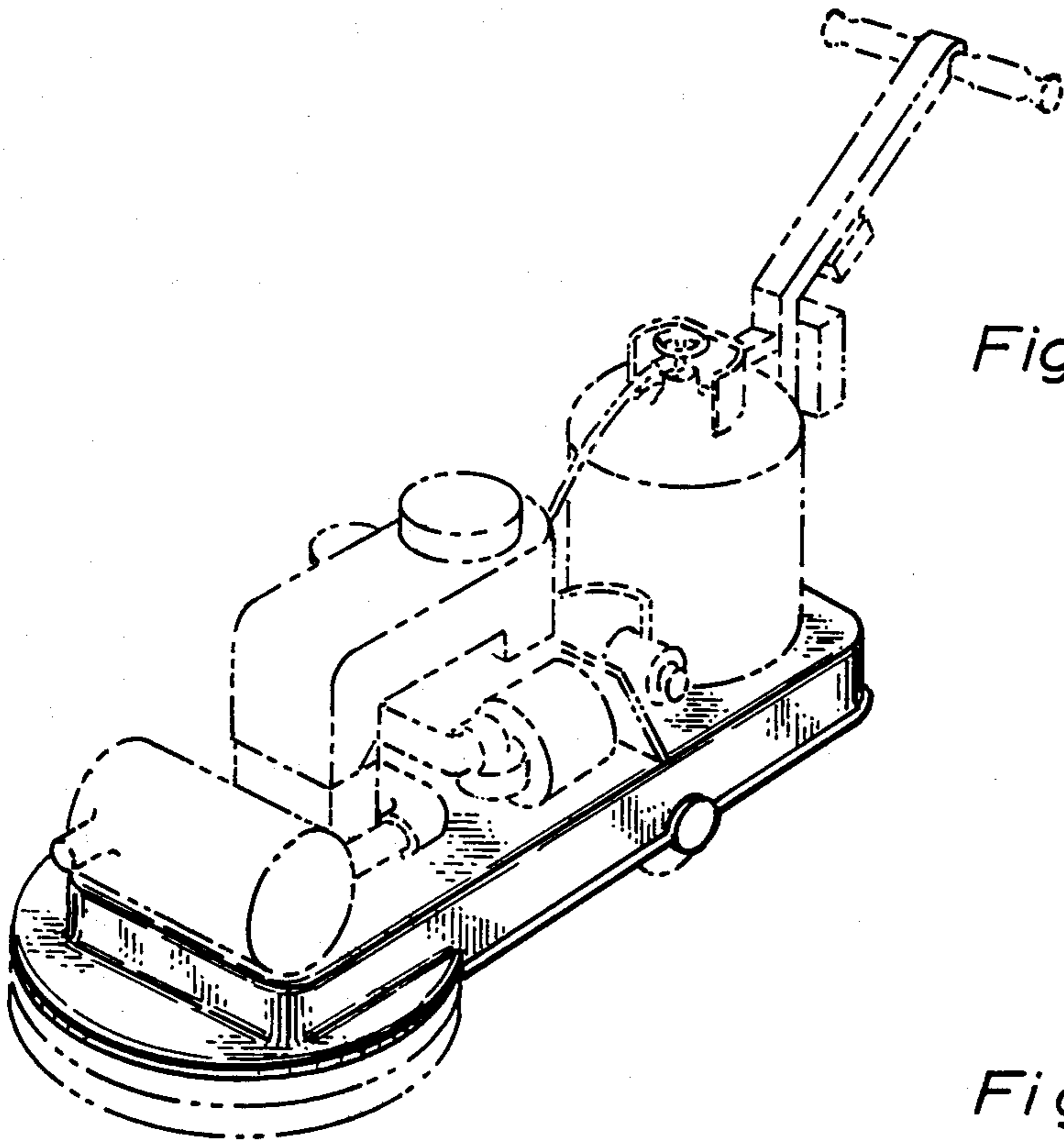


Fig-1



Fig-2

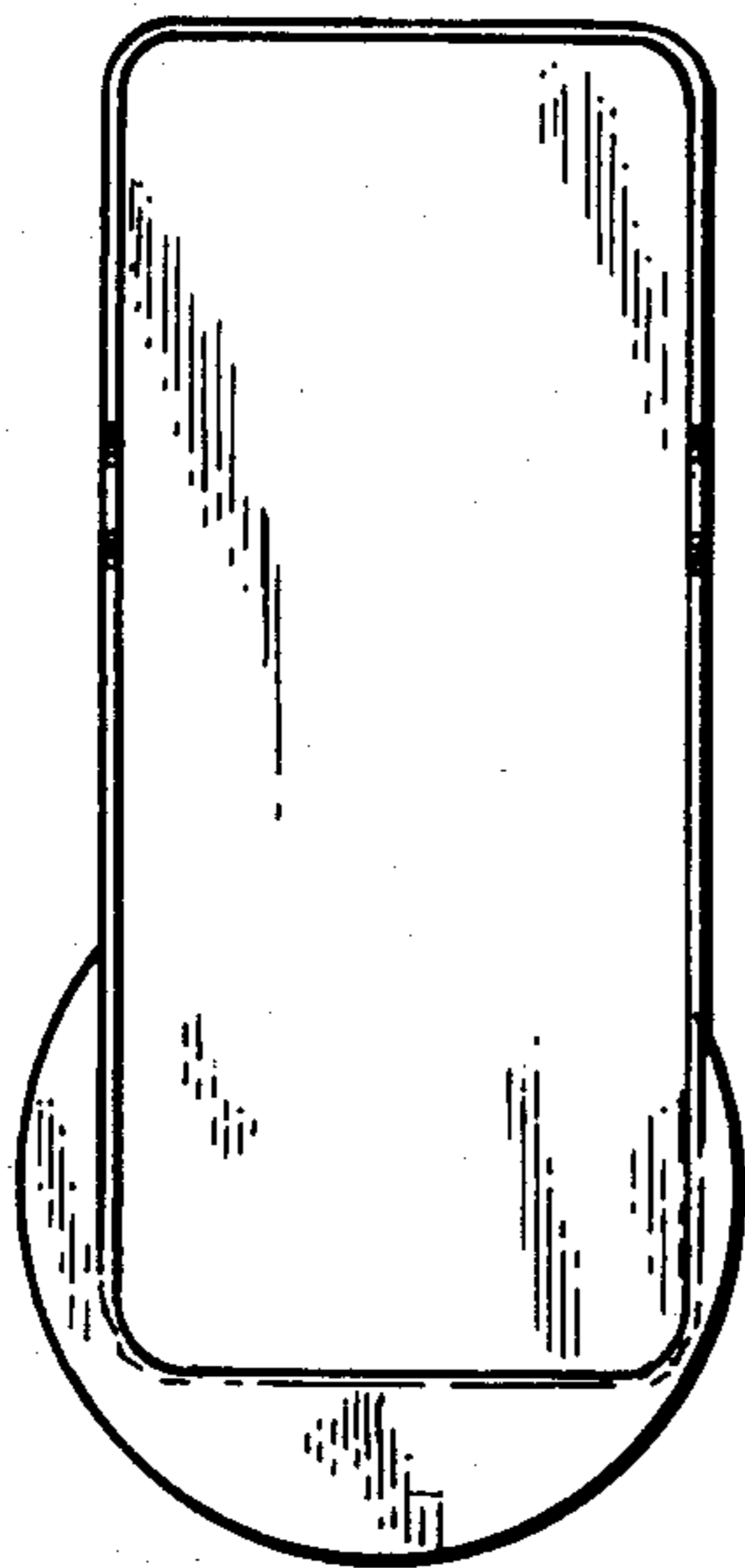


Fig-3



Fig-4

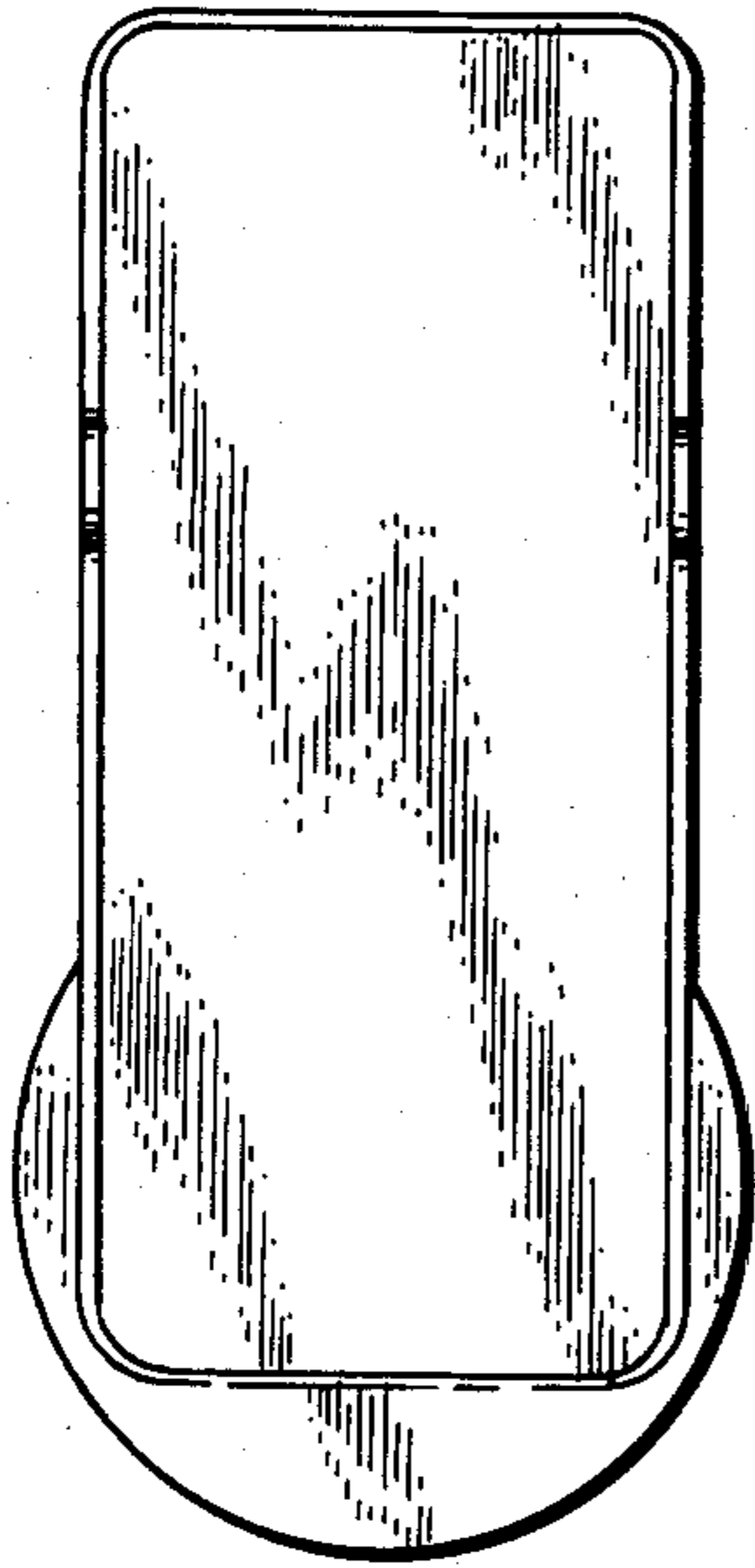


Fig. 5

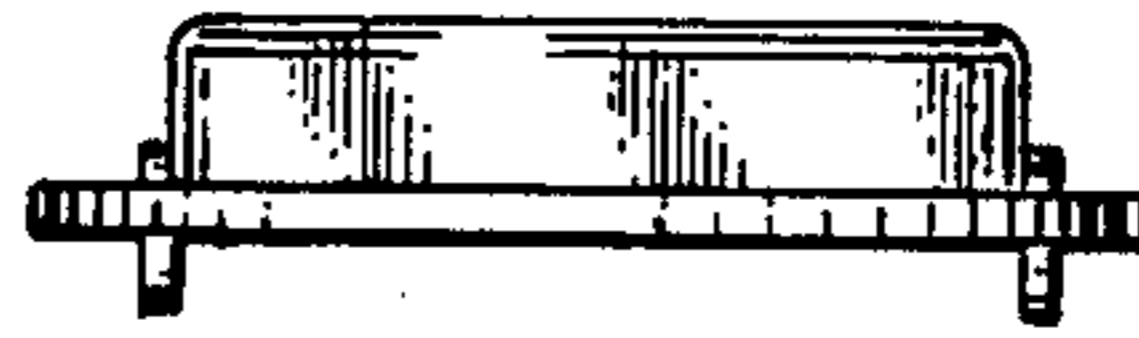


Fig. 6

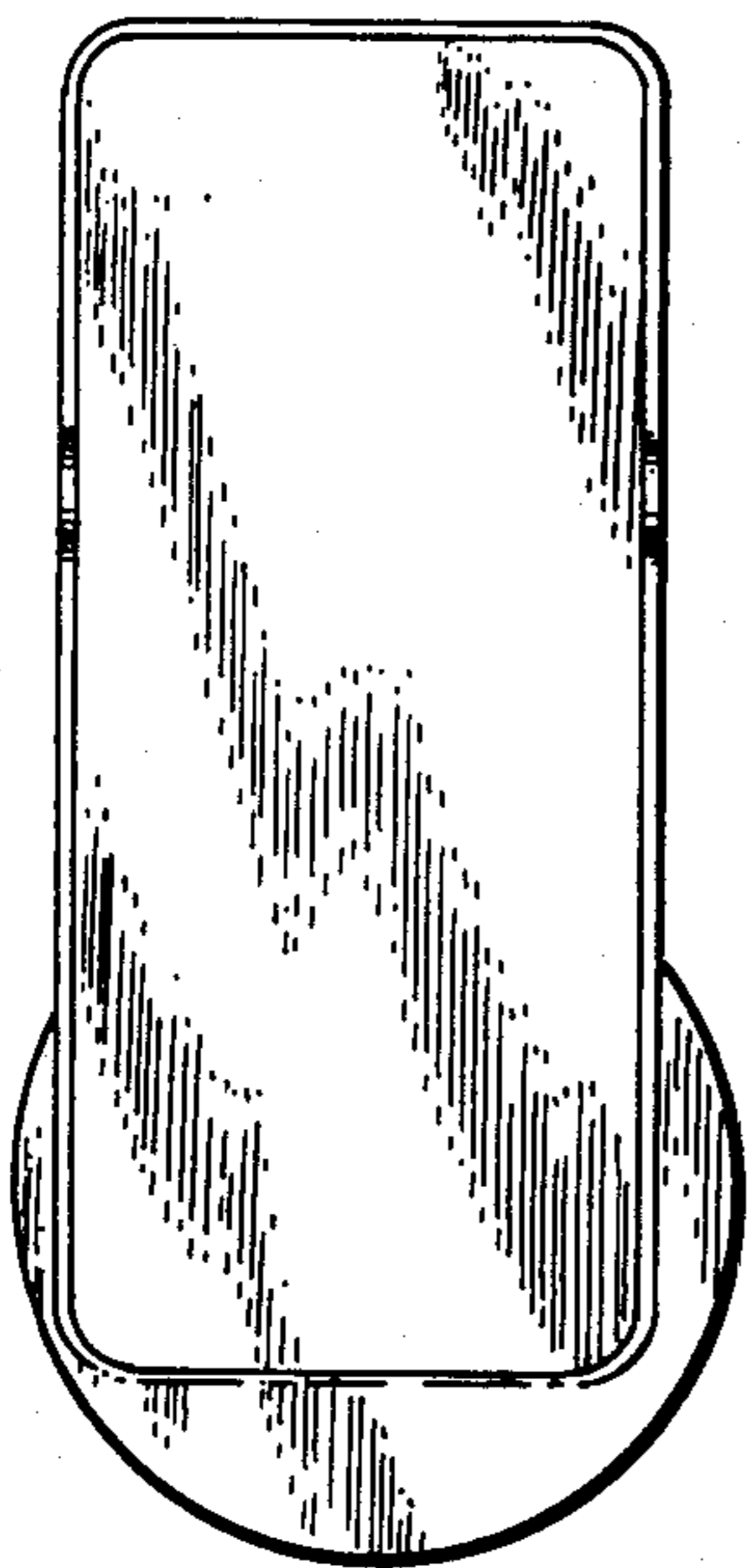


Fig. 7

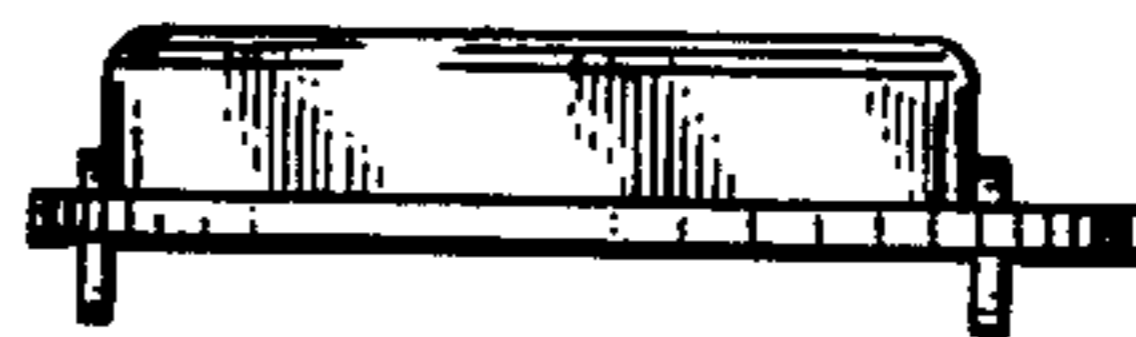


Fig. 8