

United States Patent [19]

Maxwell et al.

[11] **Des. 246,972**

[45] **** Jan. 17, 1978**

[54] **REMOTE STARTER SWITCH**

[75] Inventors: **David E. Maxwell, Cary; James R. Shaffer, Mt. Prospect; Lee Radtke, Lake Zurich, all of Ill.**

[73] Assignee: **Sun Electric Corporation, Chicago, Ill.**

[**] Term: **14 Years**

[21] Appl. No.: **744,697**

[22] Filed: **Nov. 24, 1976**

[51] Int. Cl. **D13-03**

[52] U.S. Cl. **D13/32**

[58] Field of Search **D13/32-38;**
200/157, 330, 339, 293, 294, 295, 297, 302, 303

[56]

References Cited

U.S. PATENT DOCUMENTS

2,486,591 11/1949 Ferrante 200/157
3,511,951 5/1970 Miller 200/157

Primary Examiner—Susan J. Lucas

Attorney, Agent, or Firm—George B. Newitt

[57]

CLAIM

The ornamental design for a remote starter switch, as shown and described.

DESCRIPTION

FIG. 1 is a perspective view of a remote starter switch in accordance with the present invention;

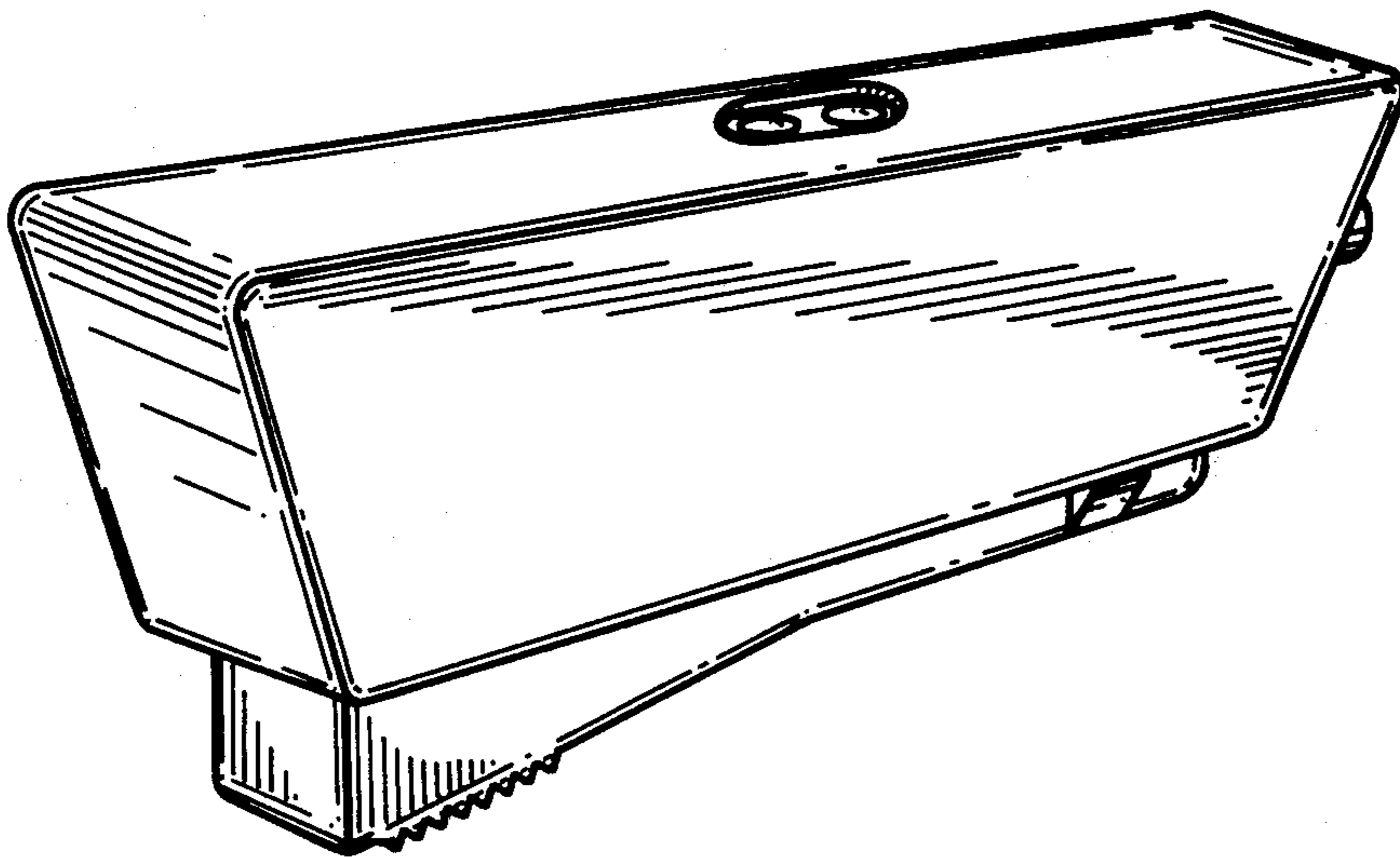
FIG. 2 is a top view thereof;

FIG. 3 is a front view thereof;

FIG. 4 is one side view thereof, the other side being substantially identical;

FIG. 5 is a rear view thereof; and

FIG. 6 is a bottom view thereof.



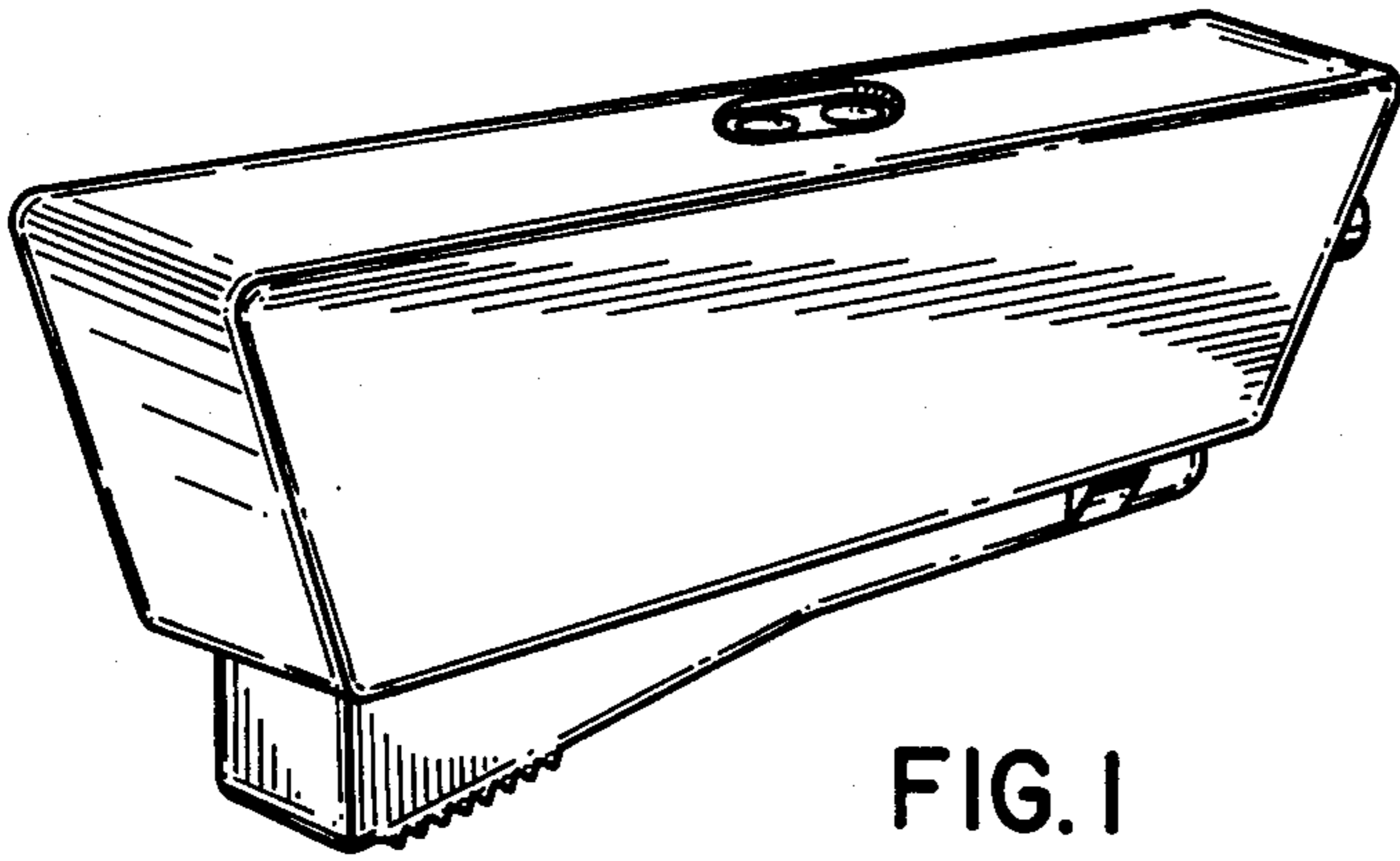


FIG. 1

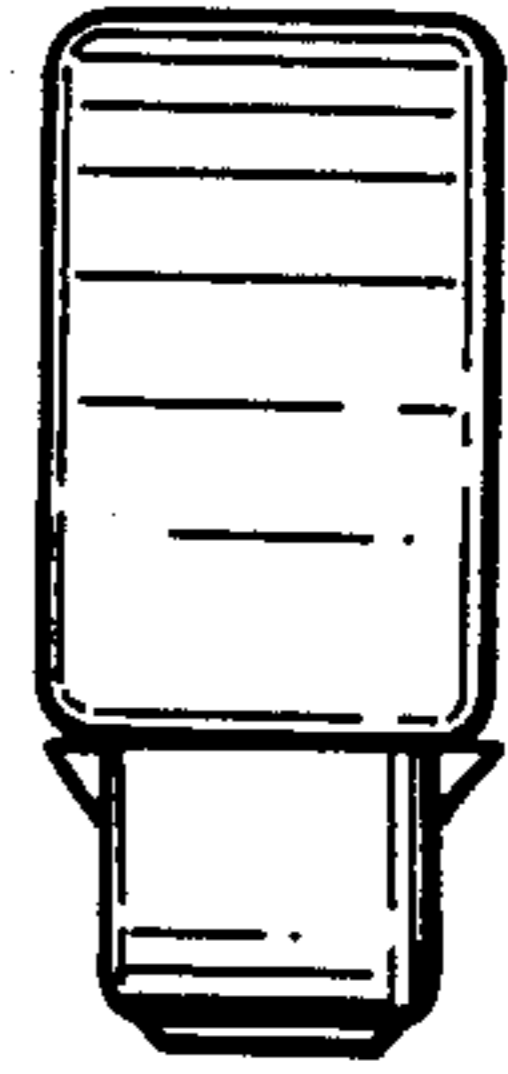


FIG. 3

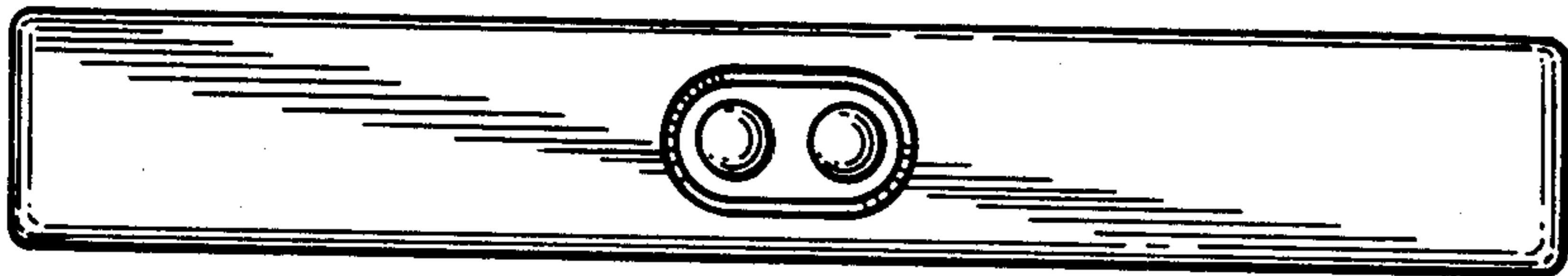


FIG. 2

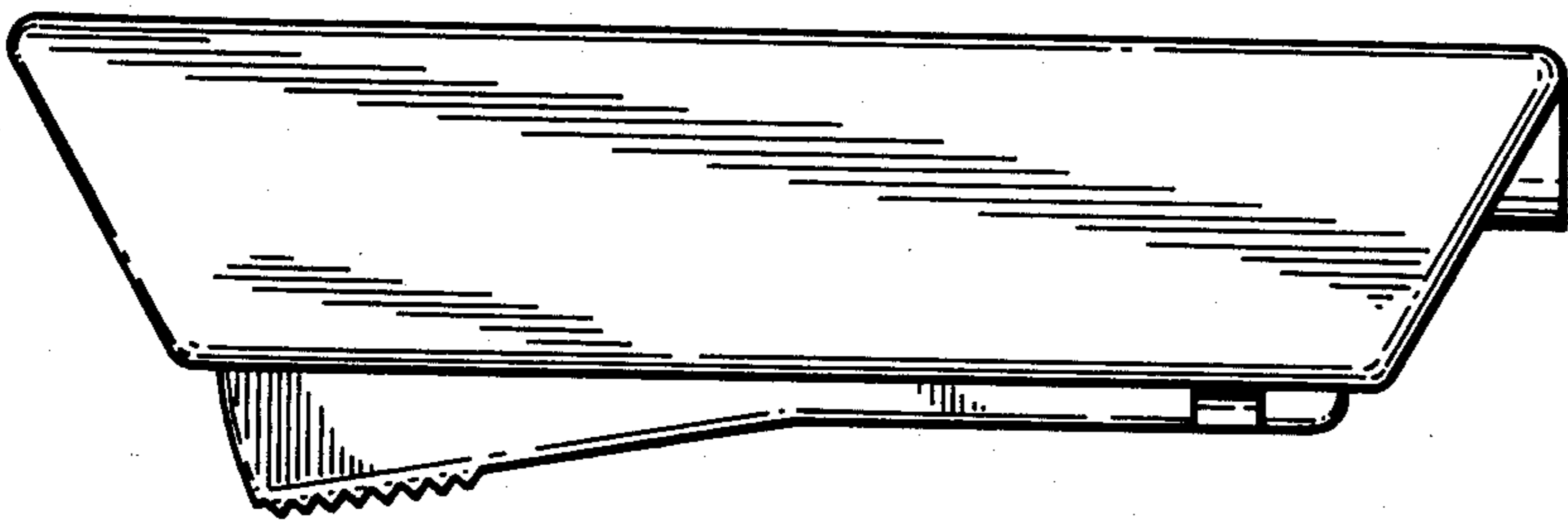


FIG. 4

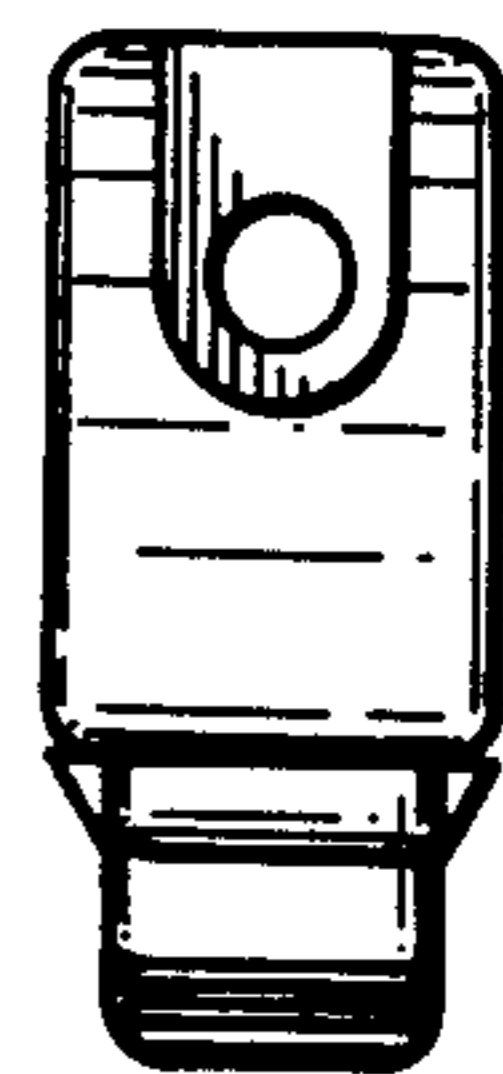


FIG. 5

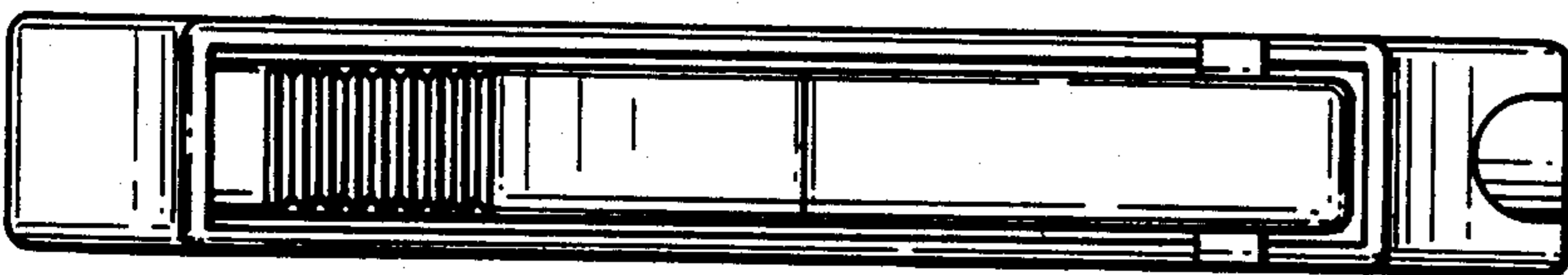


FIG. 6