

[54] CAR BUMPER BAR

[75] Inventor: Michel Tixier, Boulogne-Billancourt, France

[73] Assignee: Regie Nationale des Usines Renault, Boulogne-Billancourt, France

[**] Term: 14 Years

[21] Appl. No.: 715,004

[22] Filed: Aug. 17, 1976

[30] Foreign Application Priority Data

Mar. 1, 1976 France 74598

Mar. 1, 1976 France 74599

[51] Int. Cl. D12-16

[52] U.S. Cl. D12/169

[58] Field of Search D12/169; 293/64, 70, 293/71 R, 71 P, 69 R, 68

[56] References Cited

U.S. PATENT DOCUMENTS

3,695,666 10/1972 Corson 293/69

3,901,543 8/1975 Norlin D12/169

OTHER PUBLICATIONS

1973 Chevelle Catalog, p15, Deluxe Bumper, top right side of page.

Primary Examiner—Wallace R. Burke

Assistant Examiner—James M. Gandy

Attorney, Agent, or Firm—Martin Fleit

[57] CLAIM

The ornamental design for a car bumper bar, as shown and described.

DESCRIPTION

FIG. 1 is a top, left front perspective view of a car bumper bar showing my new design;

FIG. 2 is an enlarged and elevational view thereof;

FIG. 3 is a top, right rear perspective view thereof;

FIG. 4 is a top, left front perspective view of a car bumper bar showing a second embodiment of my new design;

FIG. 5 is an enlarged end elevational view of FIG. 4; and

FIG. 6 is a top, right rear perspective view of FIG. 4.

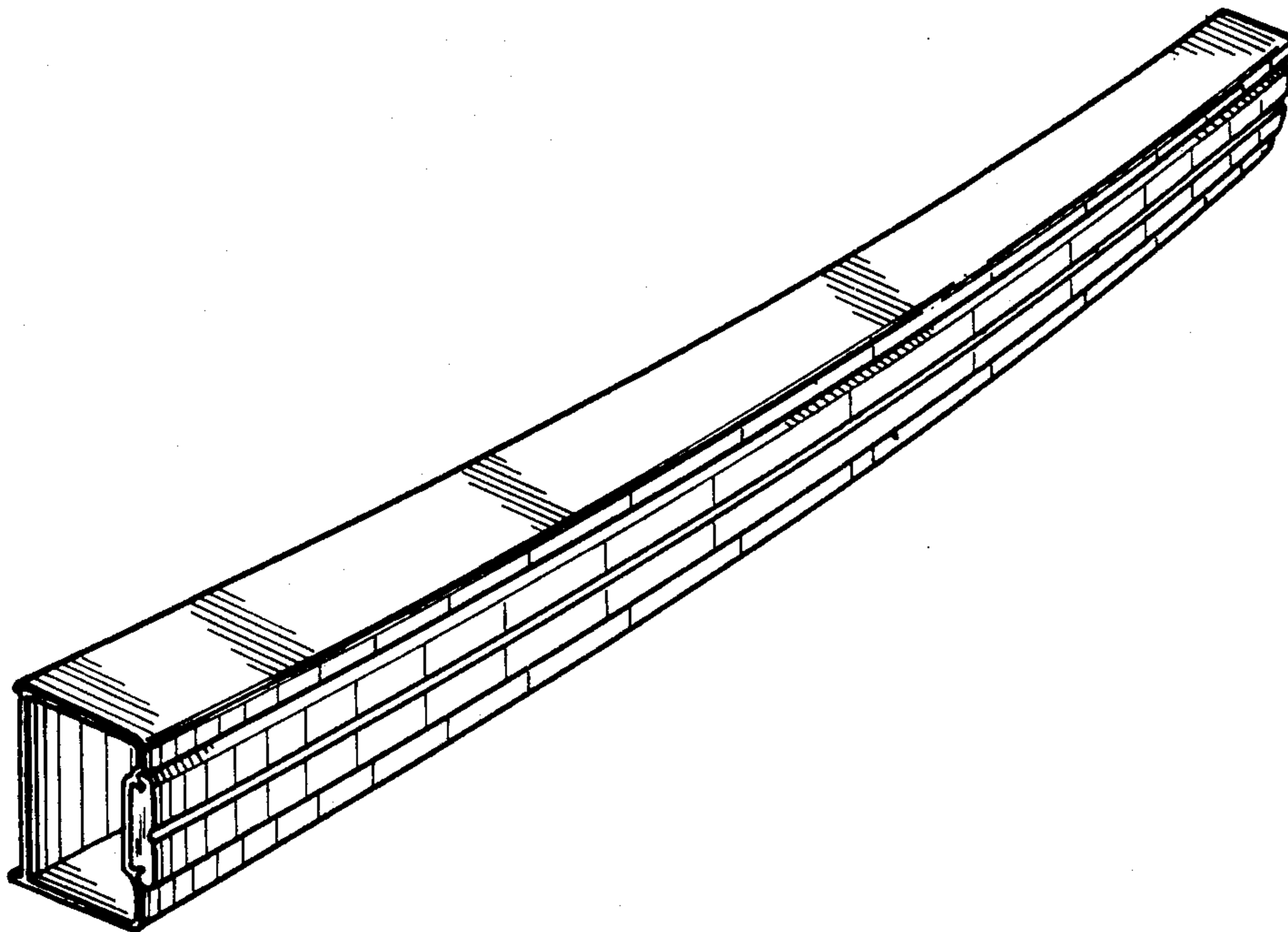


FIG. 1

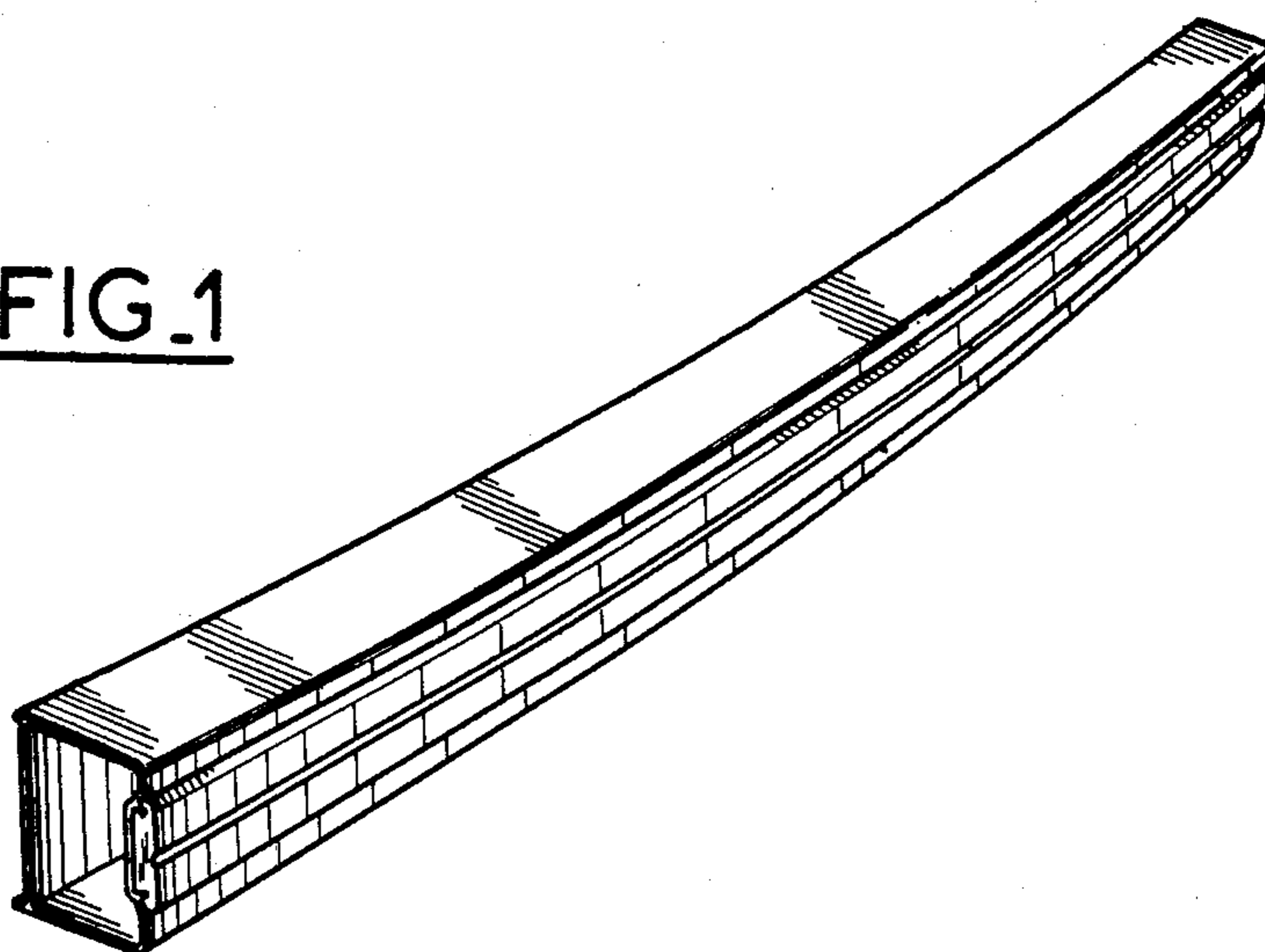


FIG. 2

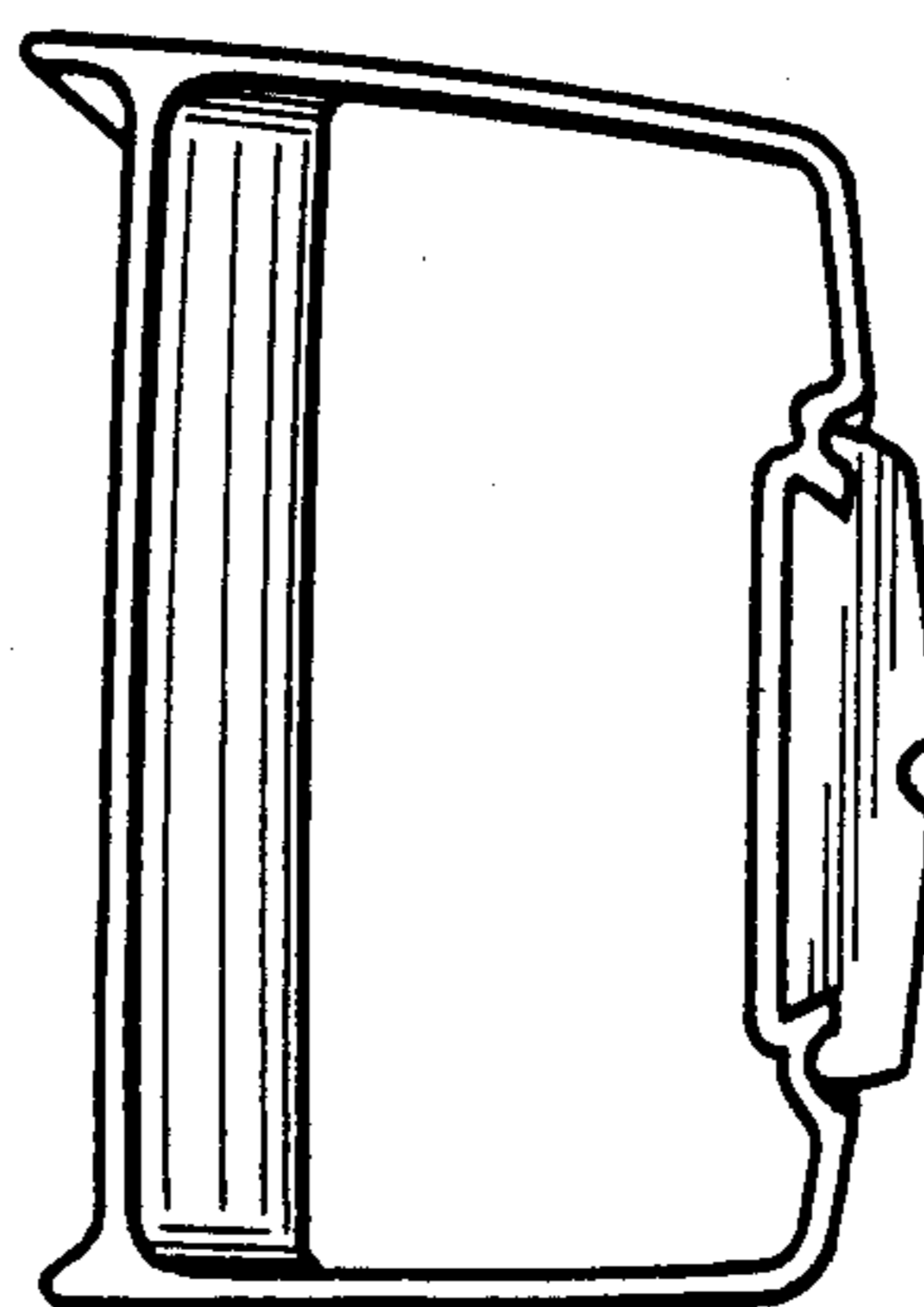


FIG. 3

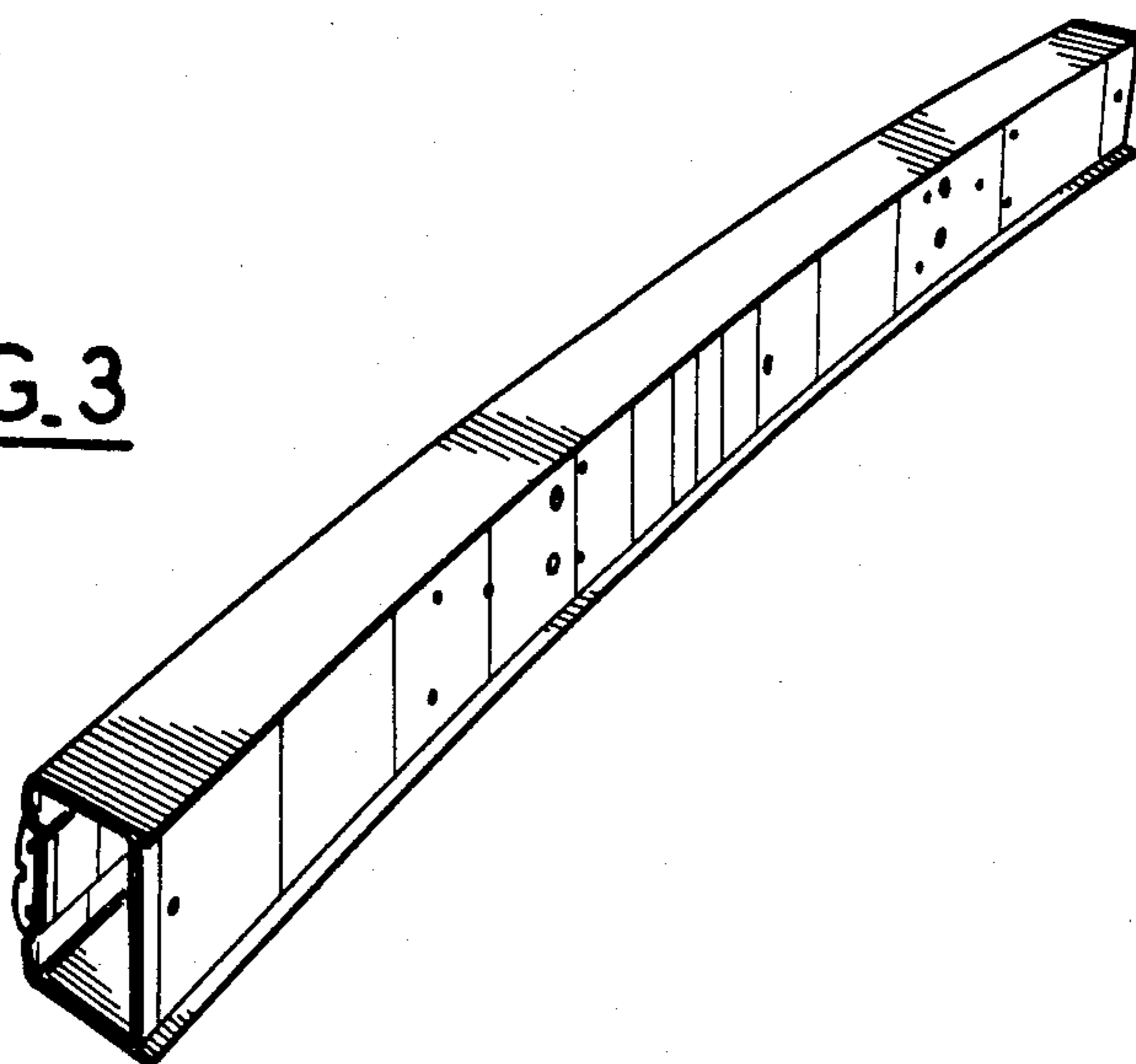


FIG. 4

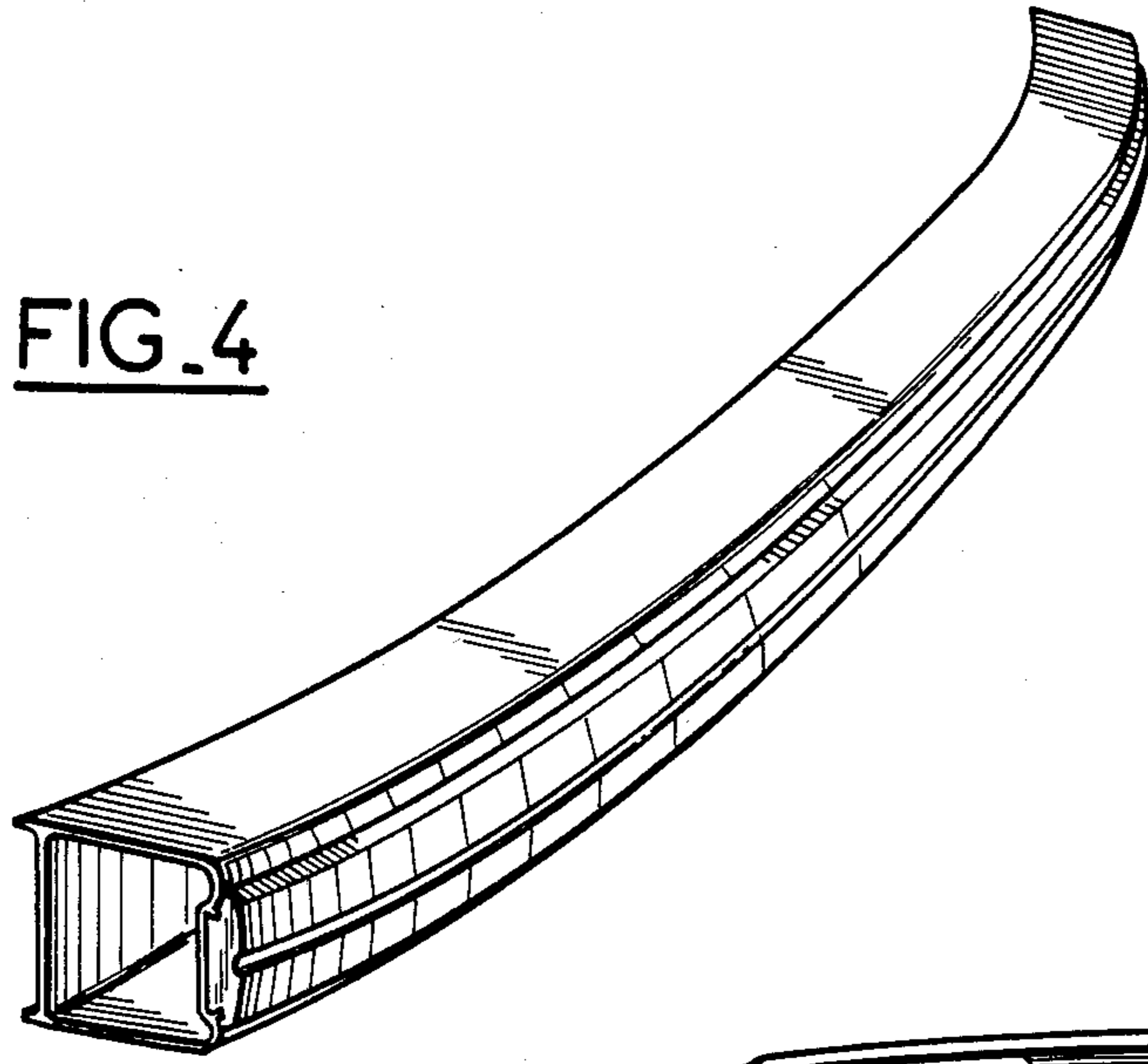


FIG. 5

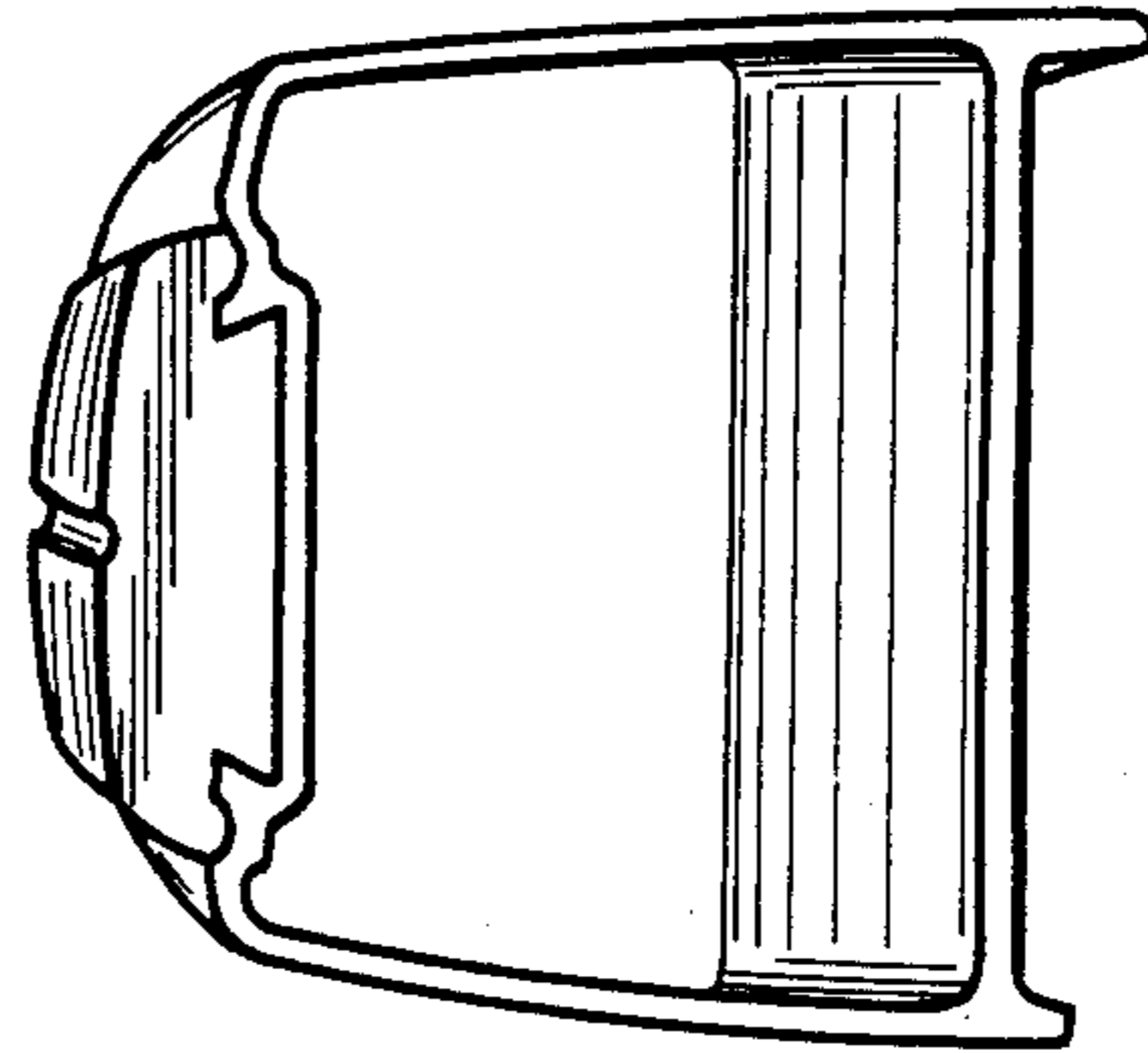


FIG. 6

