

United States Patent [19]

Hughes

[11] **Des. 246,965**

[45] **** Jan. 17, 1978**

[54] **DISPLAY BASE FOR FLAGS AND THE LIKE**

[76] **Inventor: George W. Hughes, 2178 N. Orange Grove, Pomona, Calif. 91767**

[**] **Term: 14 Years**

[21] **Appl. No.: 653,433**

[22] **Filed: Jan. 29, 1976**

[51] **Int. Cl. D11-99**

[52] **U.S. Cl. D11/183**

[58] **Field of Search D6/105; D11/166, 181-183; 116/173-175; 248/511, 512, 519, 520; 211/60 R, 60 A**

[56] **References Cited**

U.S. PATENT DOCUMENTS

551,158 12/1895 Ernst 116/173

558,433 4/1896 Stoddard D6/105
1,856,000 4/1932 Smith 248/519 X
3,905,324 9/1975 English 248/512 X

Primary Examiner—Joel Stearman
Assistant Examiner—Louis S. Zarfes
Attorney, Agent, or Firm—Boniard I. Brown

[57] **CLAIM**

The ornamental design for a display base for flags and the like, as shown and described.

DESCRIPTION

FIG. 1 is a perspective view of a display base for flags and the like, showing my new design;
FIG. 2 is a top plan view thereof;
FIG. 3 is a side elevational view thereof;
FIG. 4 is a bottom plan view thereof; and
FIG. 5 is a top plan view of a display base for flags and the like, showing a modified form of my new design.

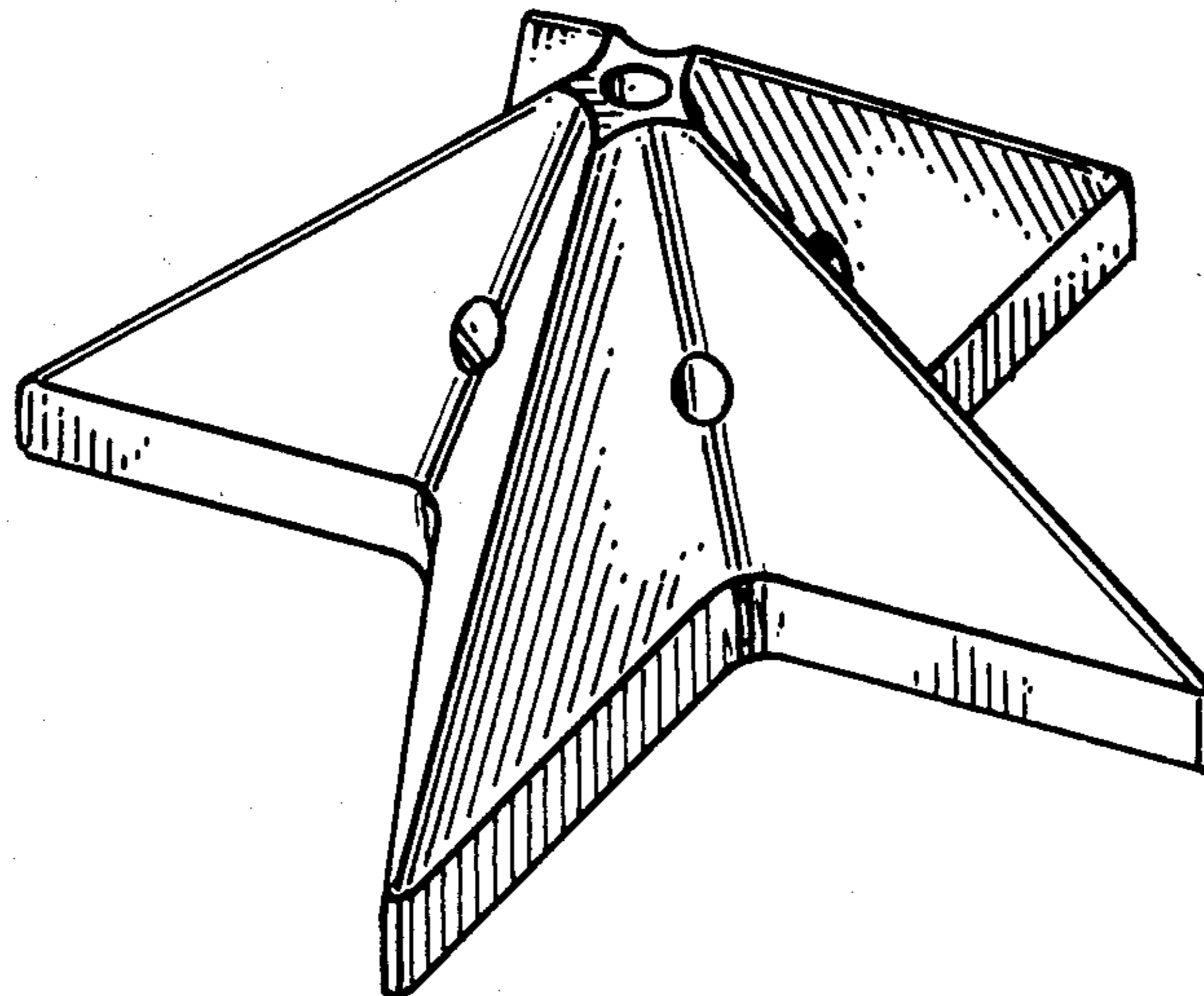


FIG. 1.

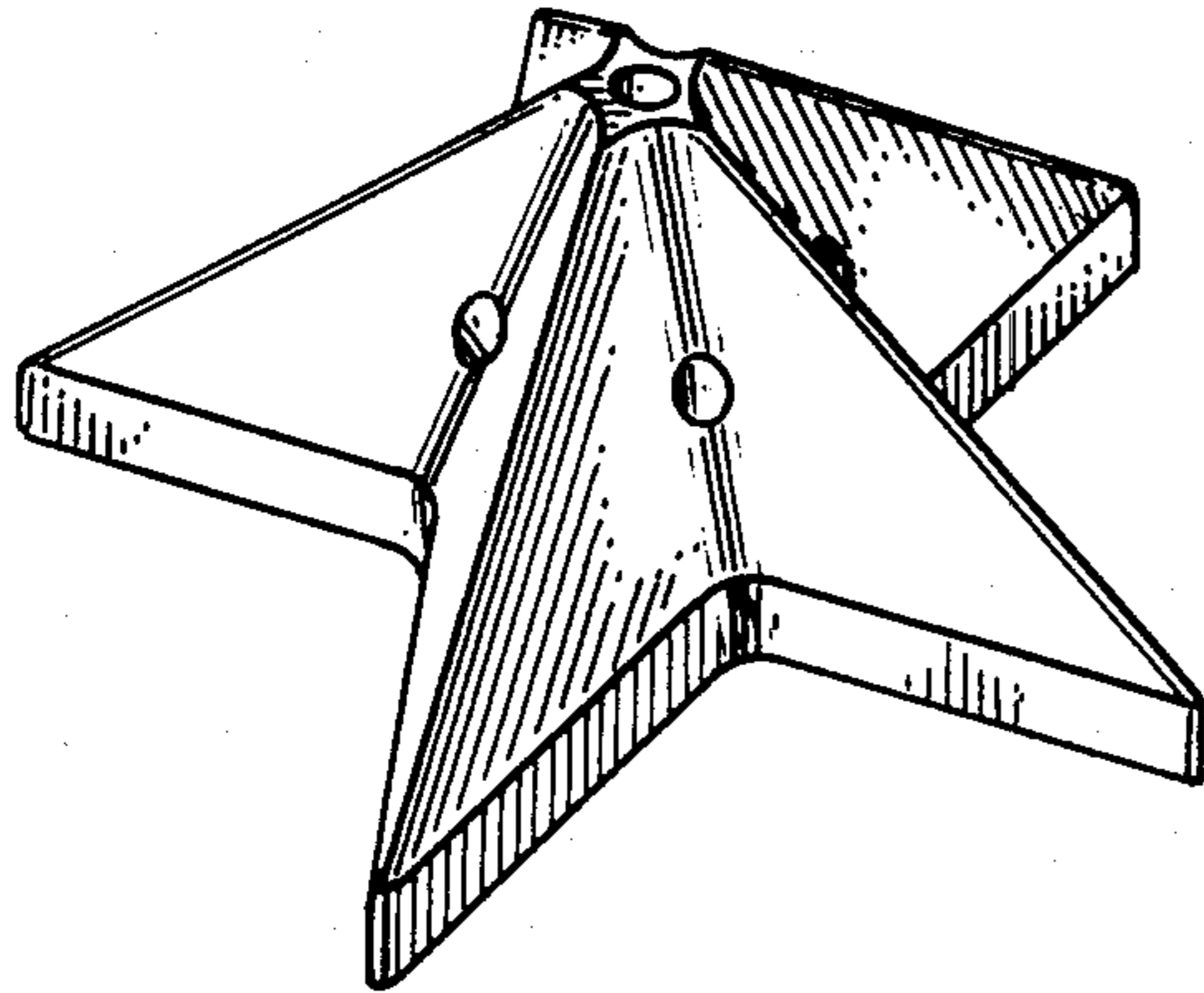


FIG. 2.

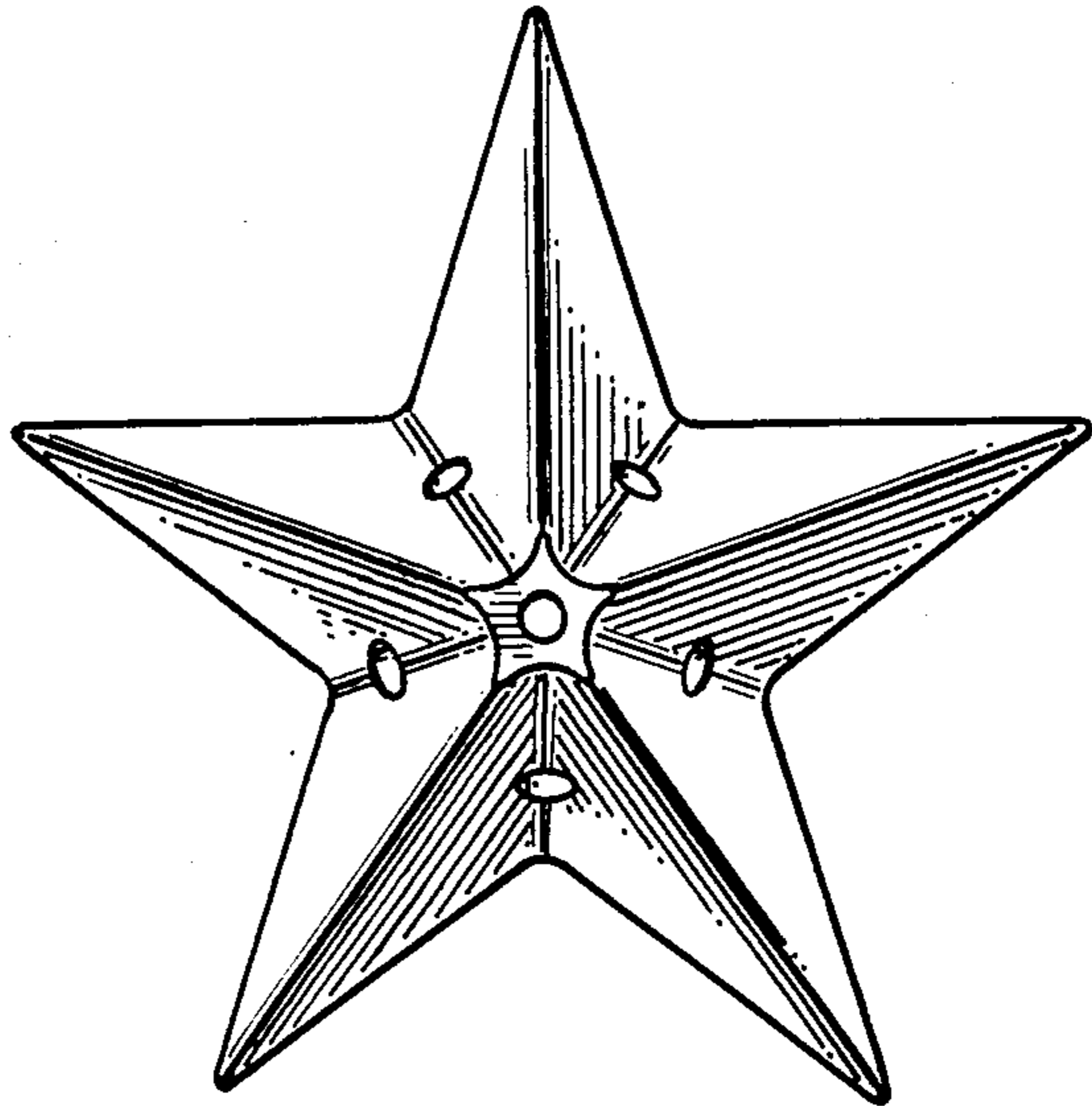


FIG. 4.

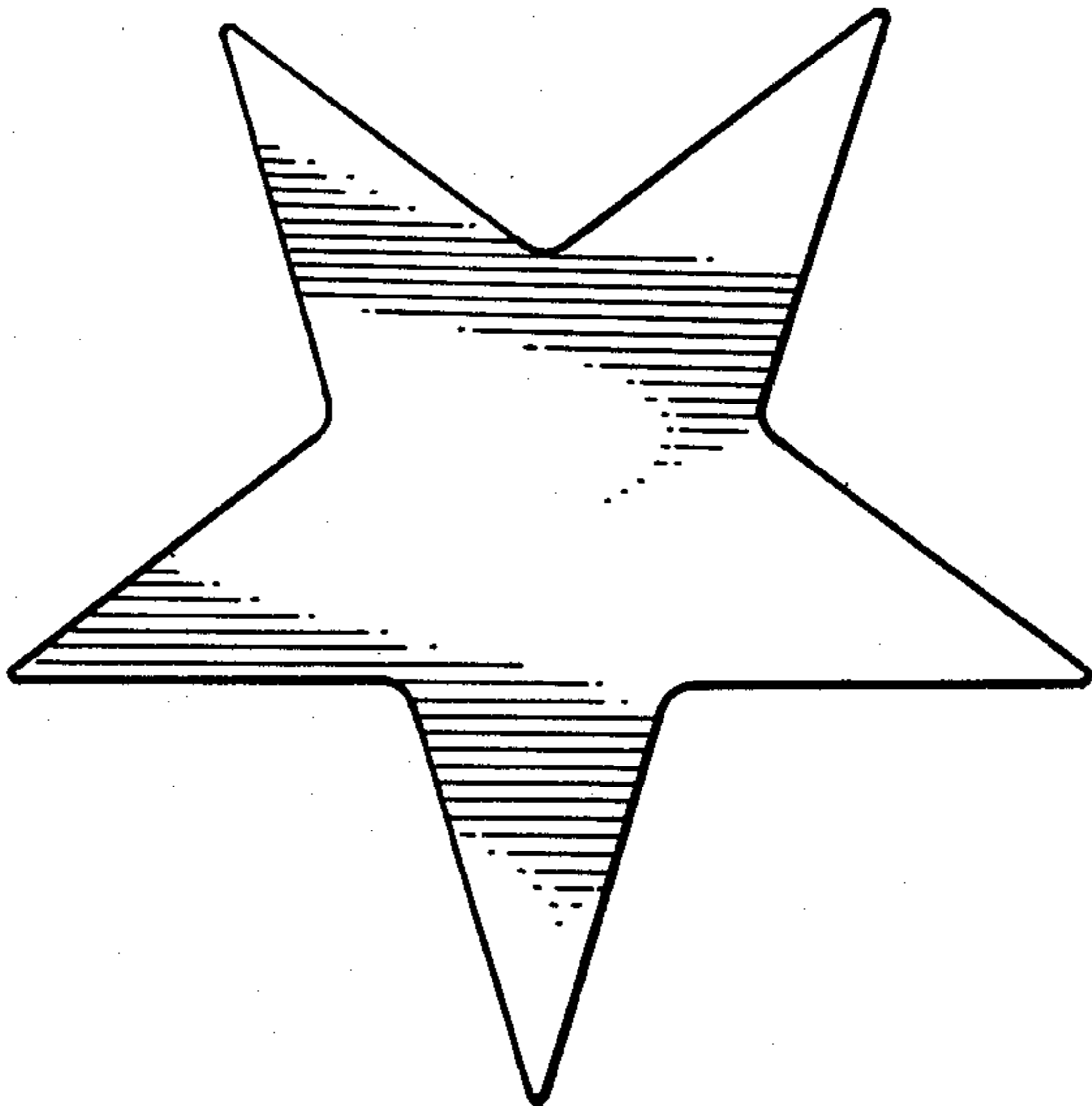


FIG. 3.

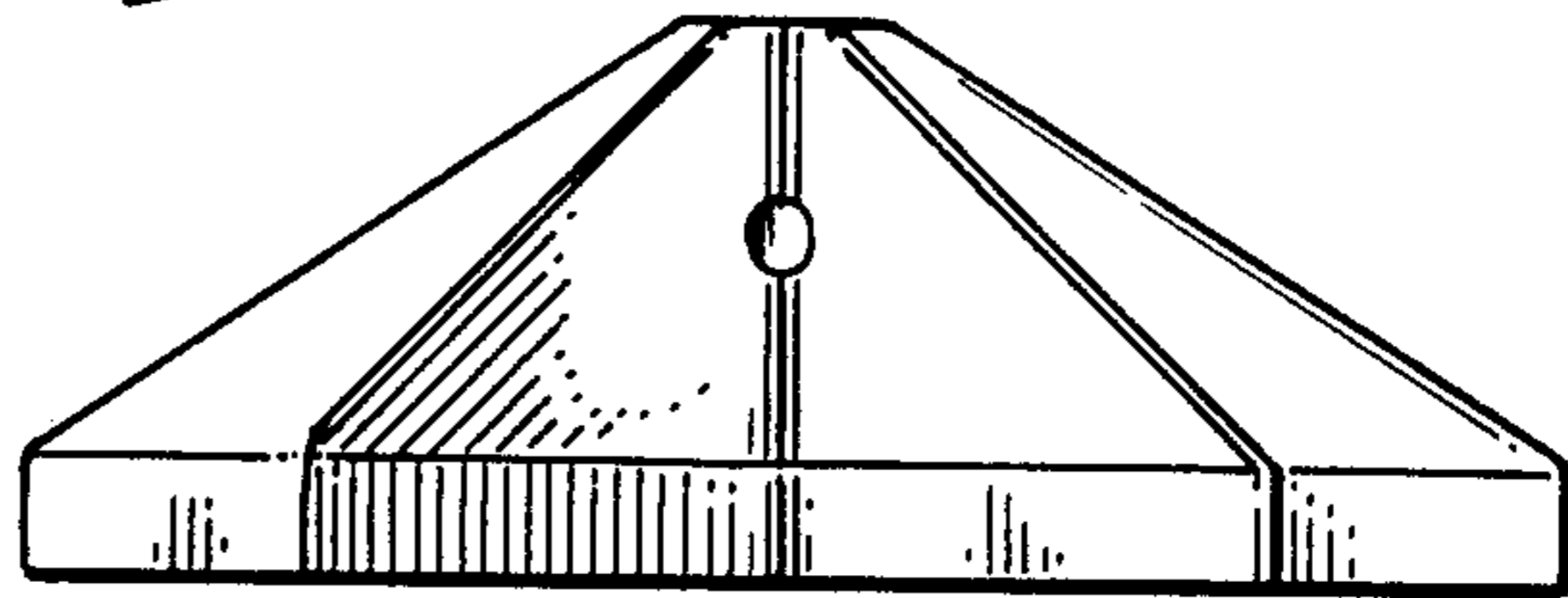


FIG. 5.

