

[54] PULL

[75] Inventor: James M. Palm, Jr., Rockford, Ill.

[73] Assignee: Amerock Corporation, Rockford, Ill.

[**] Term: 14 Years

[21] Appl. No.: 746,525

[22] Filed: Dec. 1, 1976

[51] Int. Cl. D8-06

[52] U.S. Cl. D8/316

[58] Field of Search D8/300-302,
D8/305-307, 310, 313-323, 349-353, 400, 401;
16/110 R

[56] References Cited

U.S. PATENT DOCUMENTS

D. 187,261	2/1960	Lubberts et al.	D8/318
D. 220,935	6/1971	Tegner et al.	D8/318
D. 232,517	8/1974	Zagaroli	D8/318

Primary Examiner—Wallace R. Burke
Assistant Examiner—B. J. Bullock
Attorney, Agent, or Firm—C. Frederick Leydig

[57] CLAIM

The ornamental design for a pull, as shown.

DESCRIPTION

FIG. 1 is a front elevational view of a pull incorporating my new design.

FIG. 2 is a bottom plan view, the top view being identical,

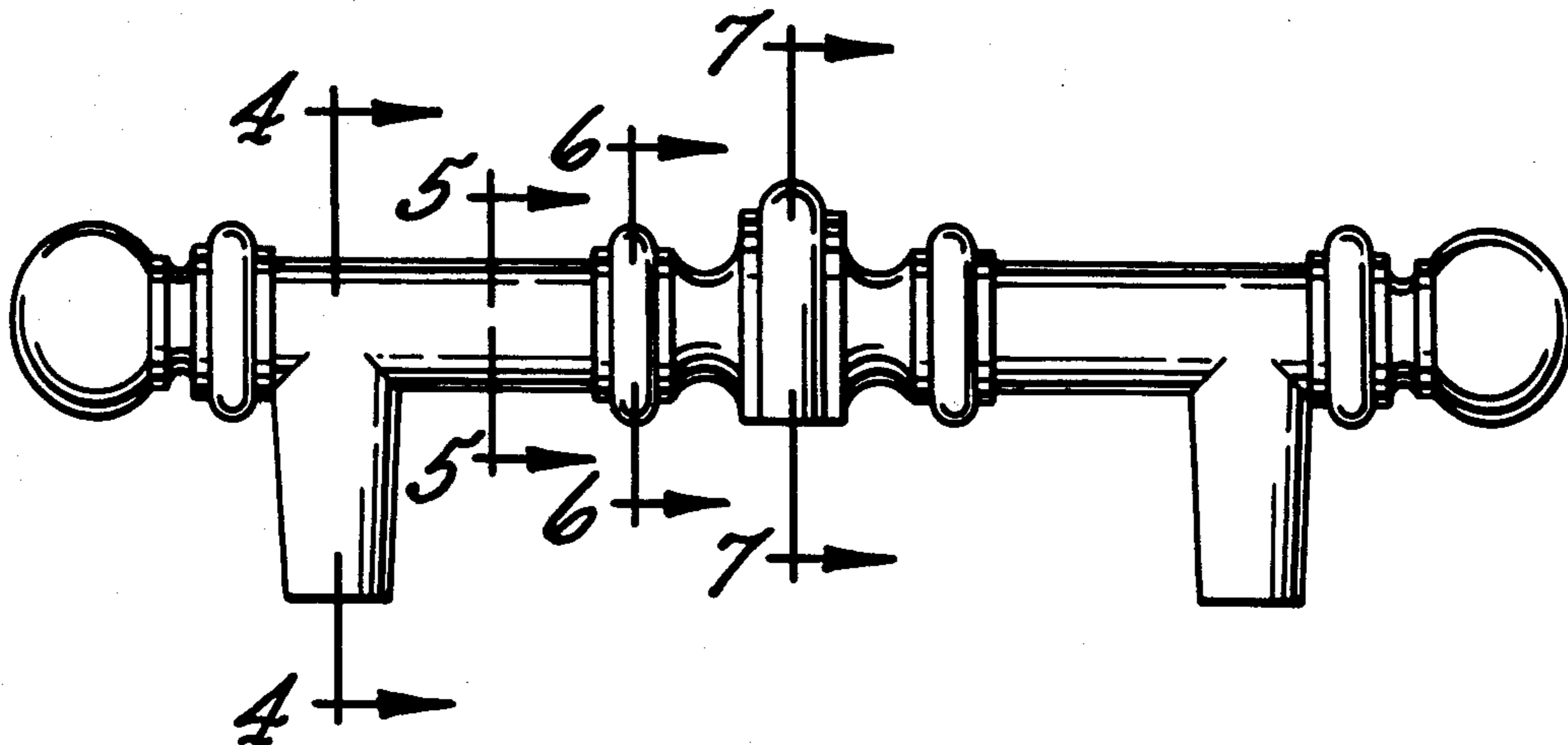
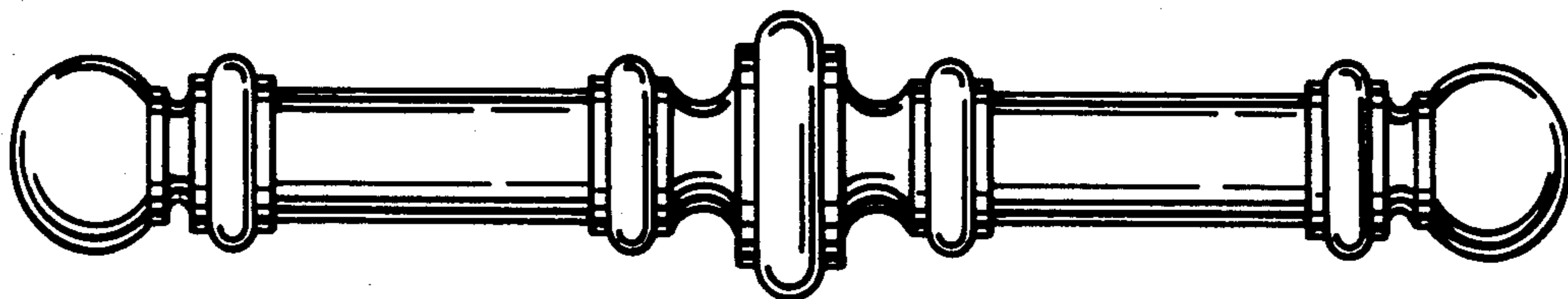
FIG. 3 is an end elevational view.

FIG. 4 is a sectional view taken along the line 4—4 in FIG. 2.

FIG. 5 is a sectional view taken along the line 5—5 in FIG. 2.

FIG. 6 is a sectional view taken along the line 6—6 in FIG. 2.

FIG. 7 is a sectional view taken along the line 7—7 in FIG. 2.



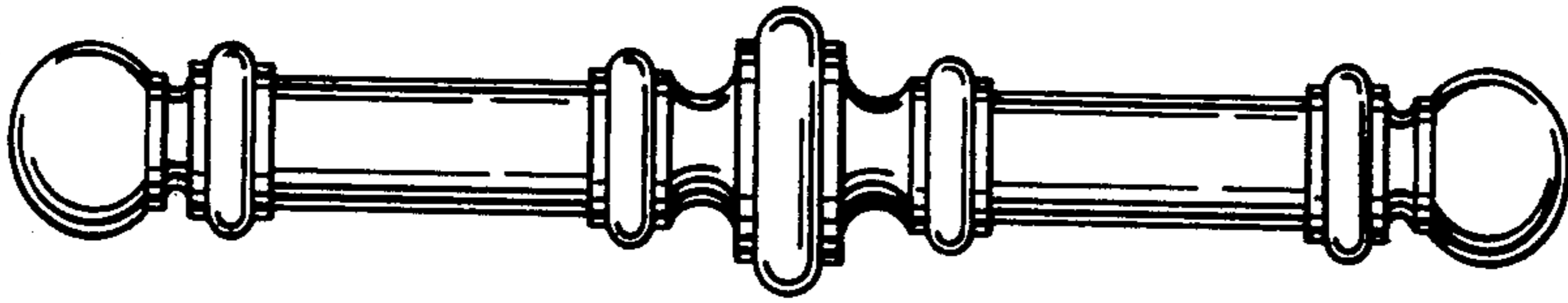


FIG. 1.

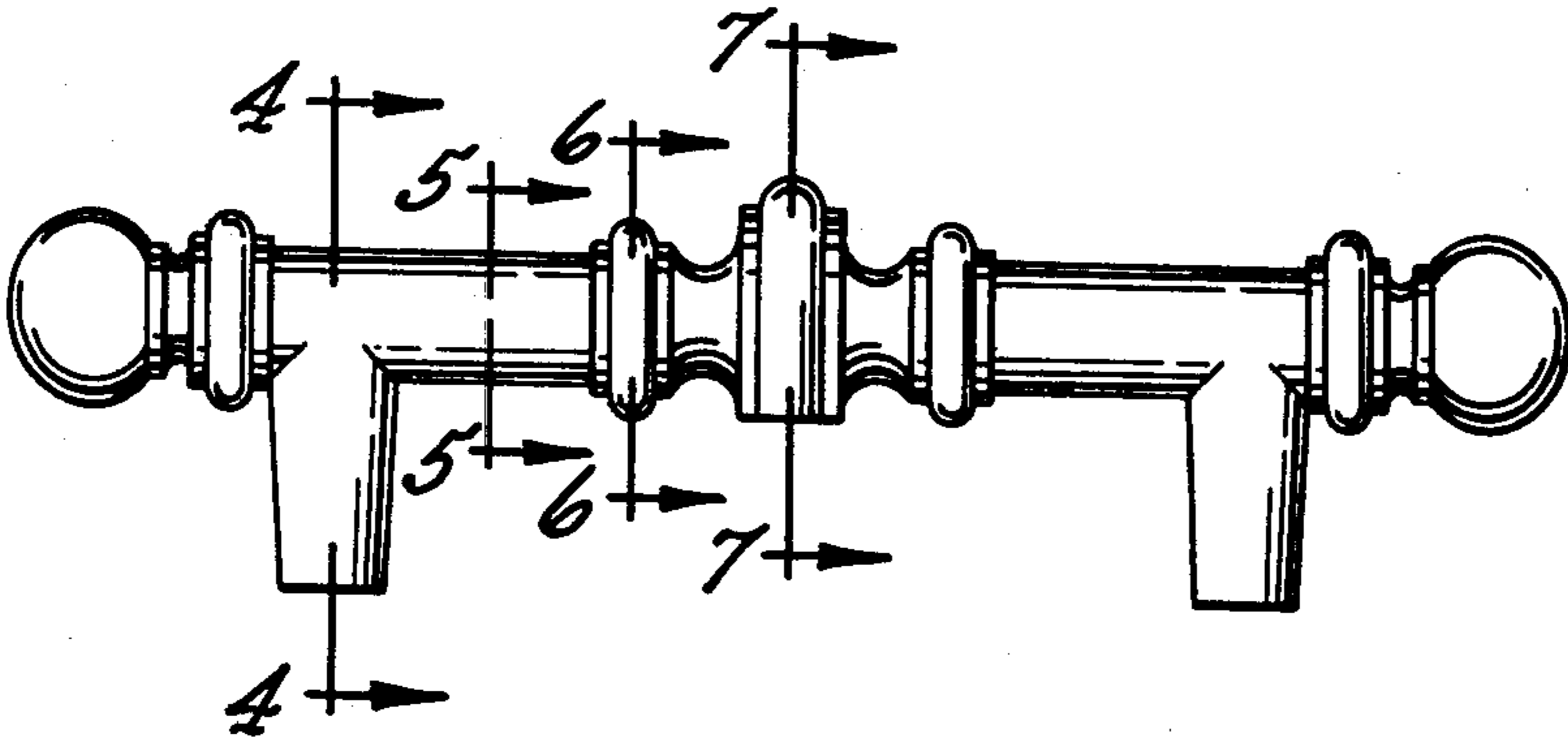


FIG. 2.

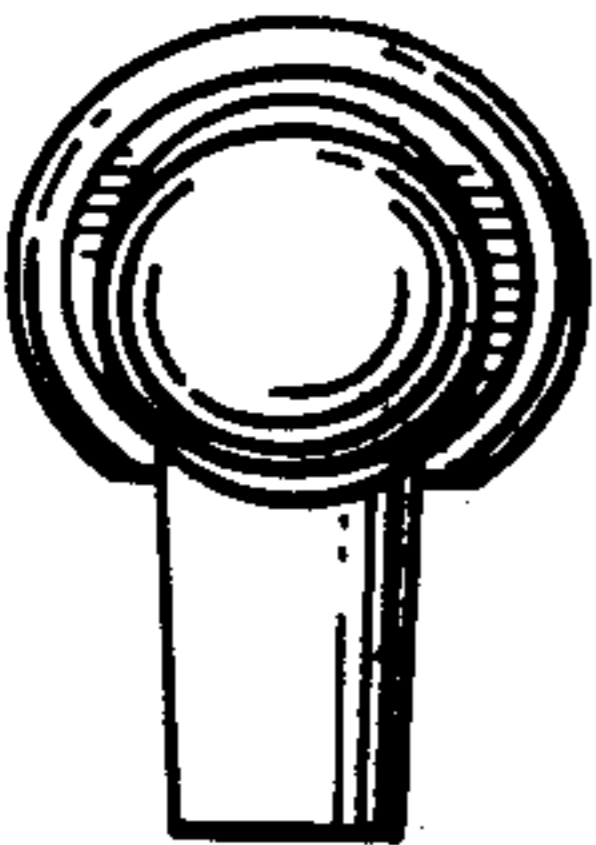


FIG. 3.

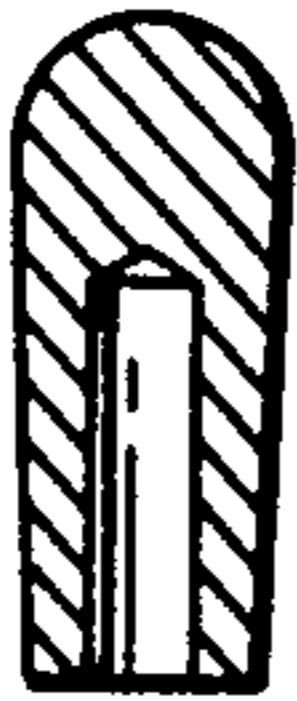


FIG. 4.



FIG. 5.

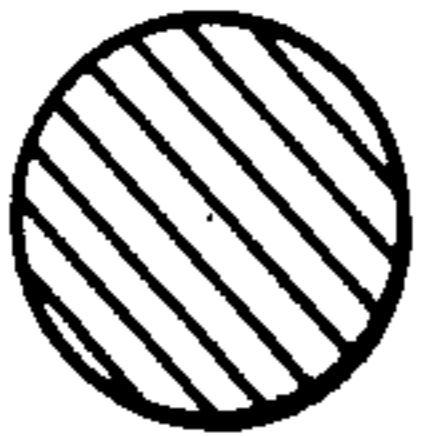


FIG. 6.

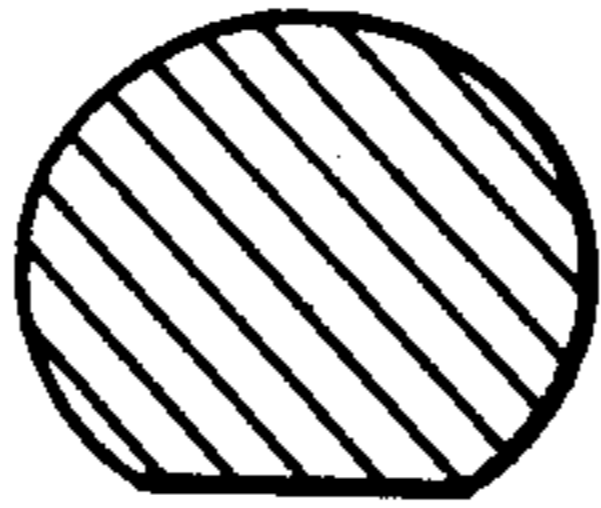


FIG. 7.