

[54] HANDLE FOR DRAWERS, DOORS, OR THE LIKE

[76] Inventor: Donald A. Davis, 50 Johnson Road, Winchester, Mass. 01890

[**] Term: 14 Years

[21] Appl. No.: 739,817

[22] Filed: Nov. 8, 1976

[51] Int. Cl. D8-06

[52] U.S. Cl. D8/300

[58] Field of Search D8/300, 302, 304, 306, D8/307, 310, 312, 313, 315-320, 350-353, 368, 378; D25/73, 74

[56] References Cited

U.S. PATENT DOCUMENTS

D. 202,492	10/1965	Riegelman	D8/319
606,532	6/1898	Furness	D25/73
3,950,915	4/1976	Cole	D25/74

OTHER PUBLICATIONS

Modern Plastics Encyclopedia, p. 1515, channel No. 55.
Sweet's Arch. Cat. File 1973, sec. 8.34/En, p. 1, handle DP-414.

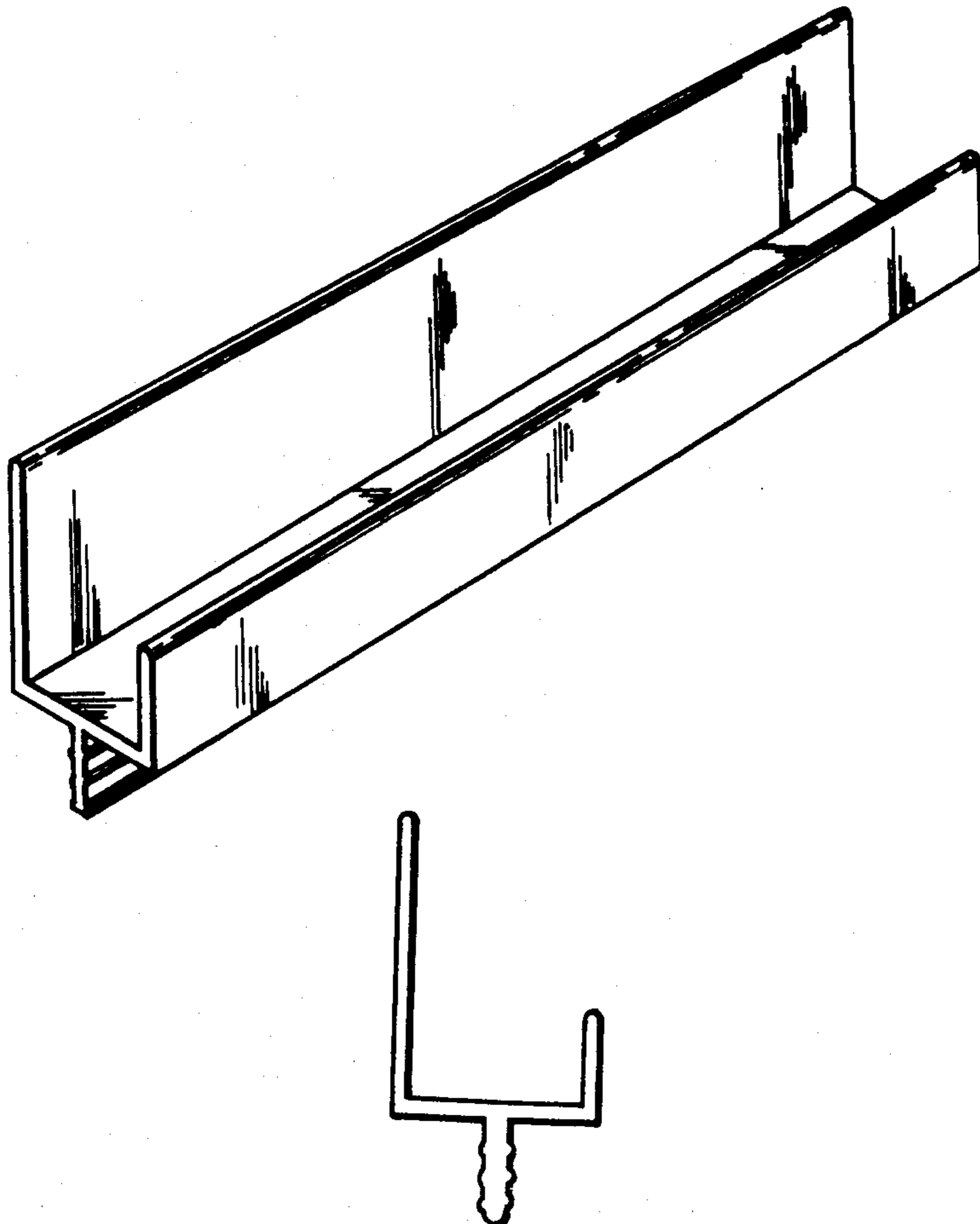
Primary Examiner—Wallace R. Burke
Assistant Examiner—B. J. Bullock
Attorney, Agent, or Firm—Donald D. Jeffery

[57] CLAIM

The ornamental design for handle for drawers, doors, or the like, as shown and described.

DESCRIPTION

FIG. 1 is a perspective view of a handle for drawers, doors, or the like showing my new design;
FIG. 2 is a front elevational view of FIG. 1;
FIG. 3 is a top plan view of FIG. 1;
FIG. 4 is a bottom plan view of FIG. 1;
FIG. 5 is a rear elevational view of FIG. 1;
FIG. 6 is a side elevational view of FIG. 1;
FIG. 7 is a reduced perspective view of FIG. 1, the drawer being shown in broken lines for illustrative purposes only;
FIG. 8 is a perspective view of a second embodiment of the design of FIG. 1;
FIG. 9 is a front elevational view of FIG. 8;
FIG. 10 is a top plan view of FIG. 8;
FIG. 11 is a bottom plan view of FIG. 8;
FIG. 12 is a rear elevational view of FIG. 8;
FIG. 13 is a side elevational view of FIG. 8;
FIG. 14 is a perspective view of FIG. 8, the door being shown in broken lines for illustrative purposes only.



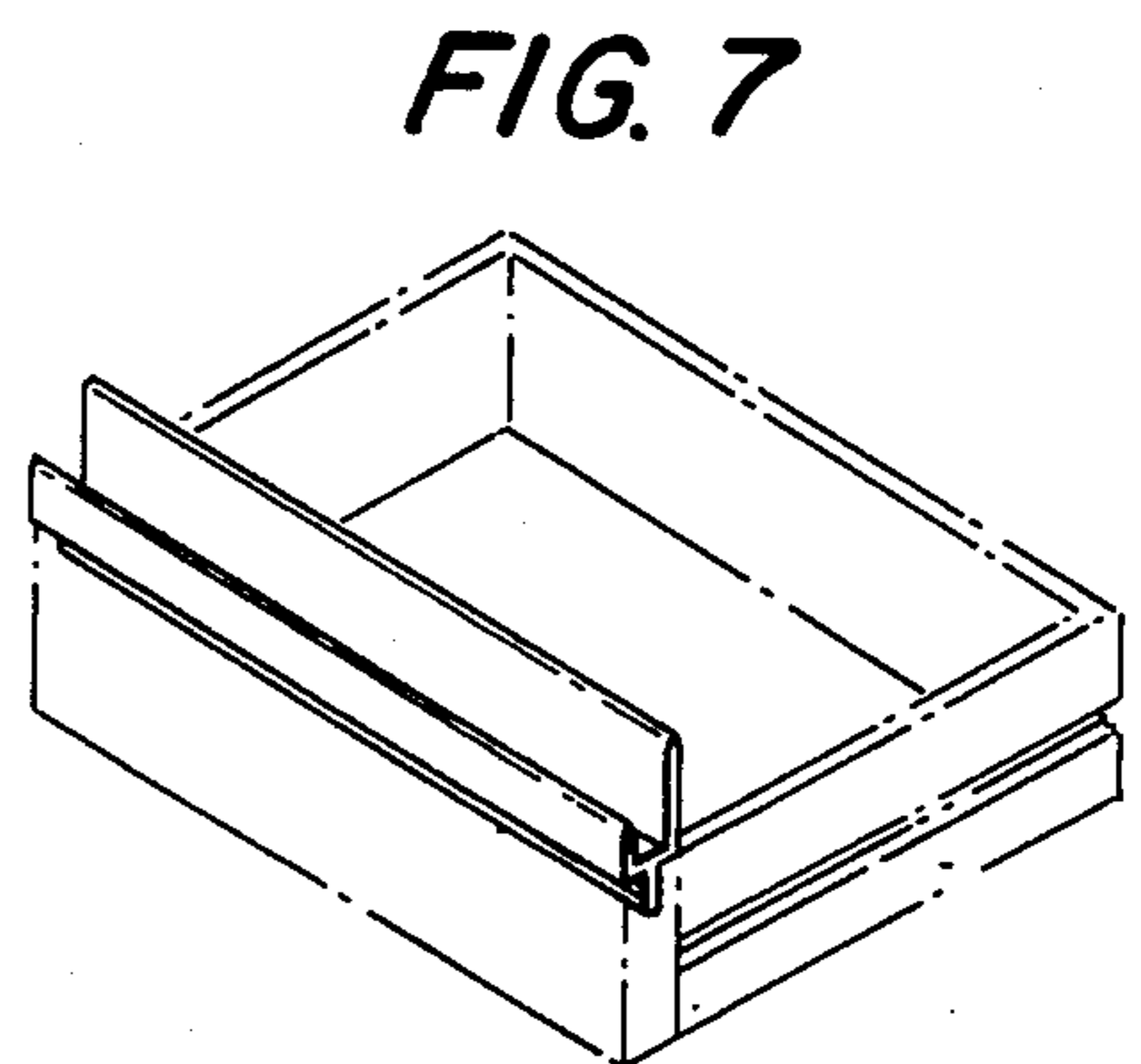
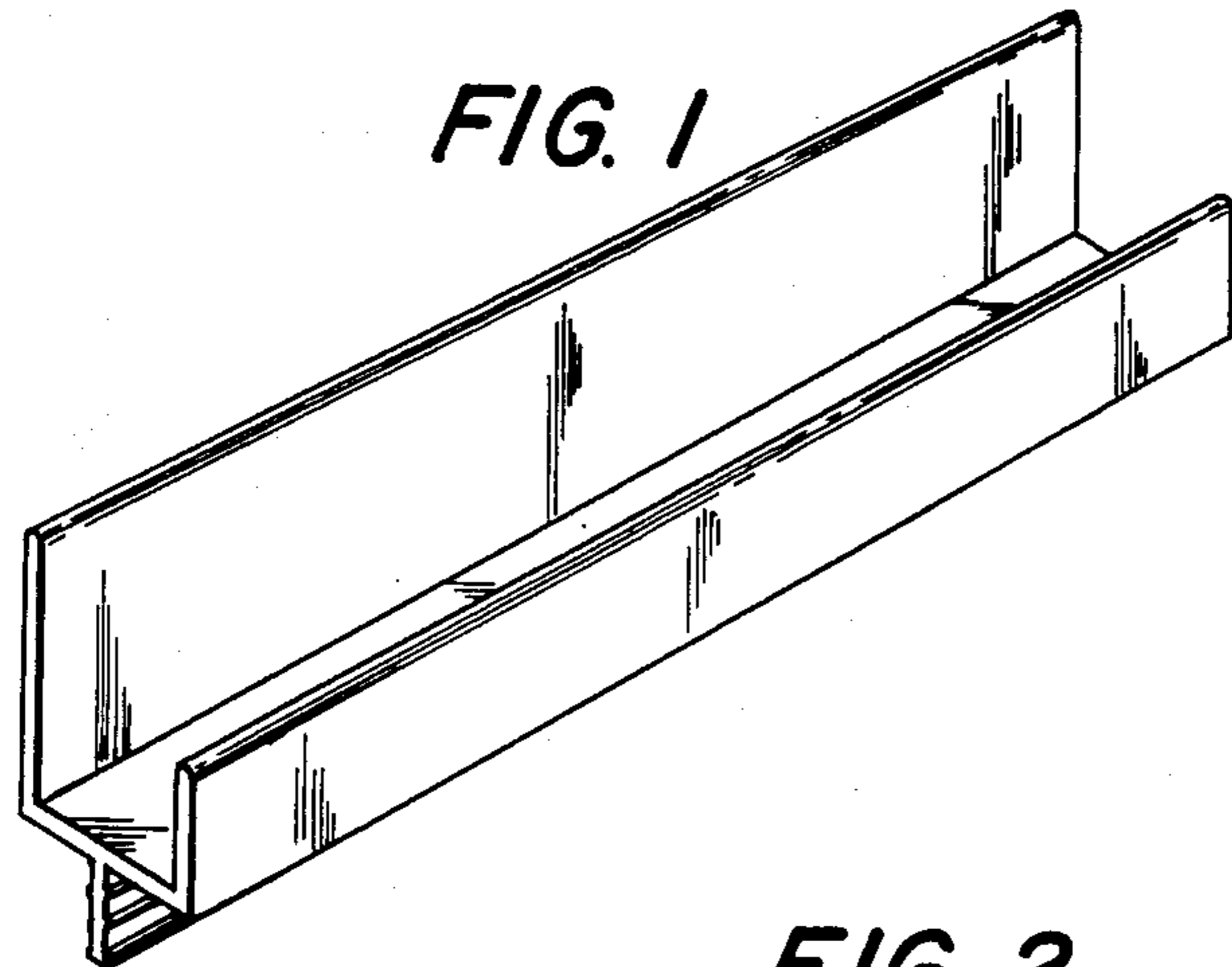


FIG. 2

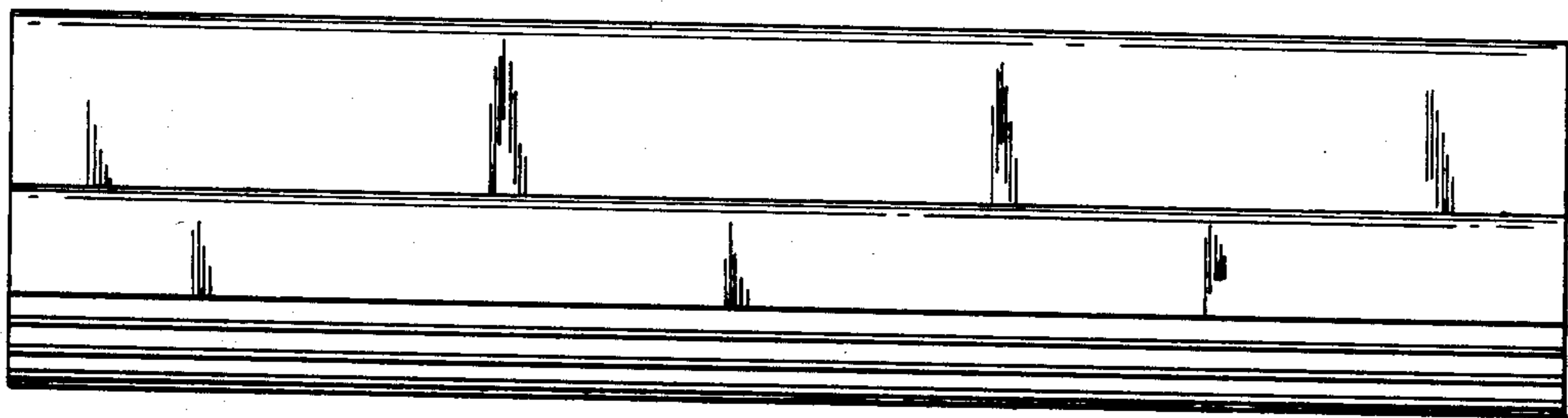


FIG. 3

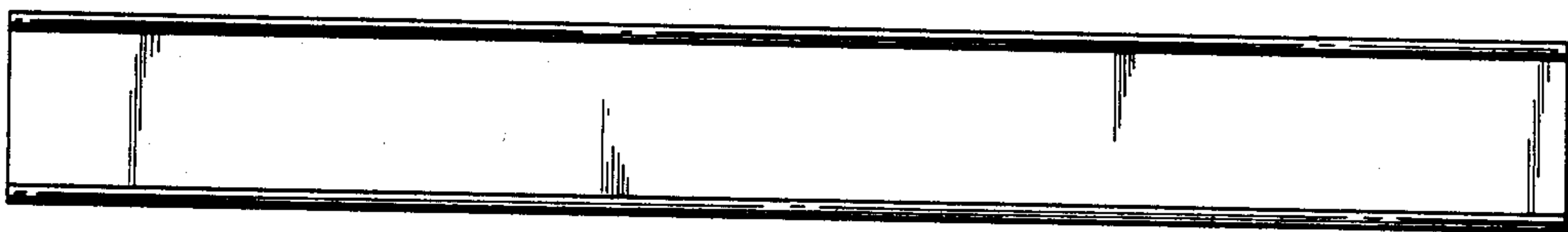


FIG. 4

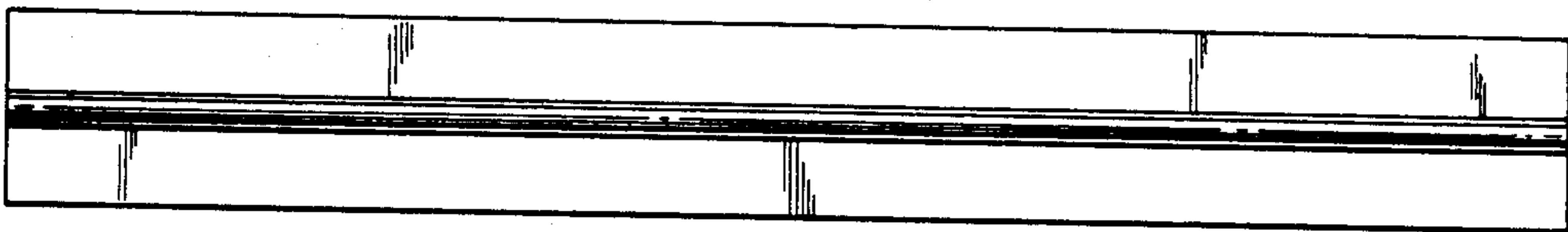


FIG. 5

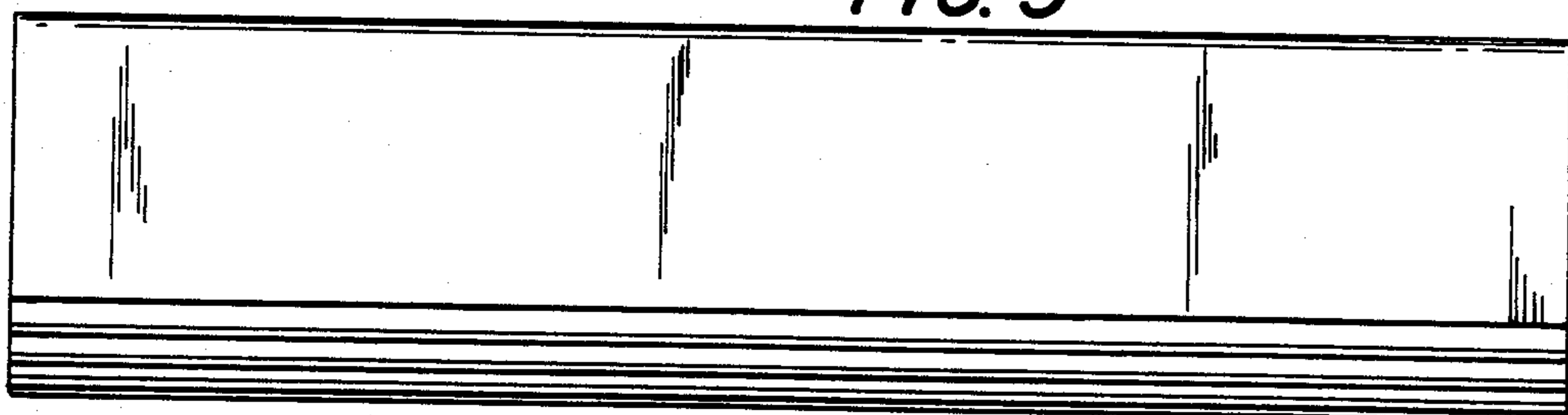
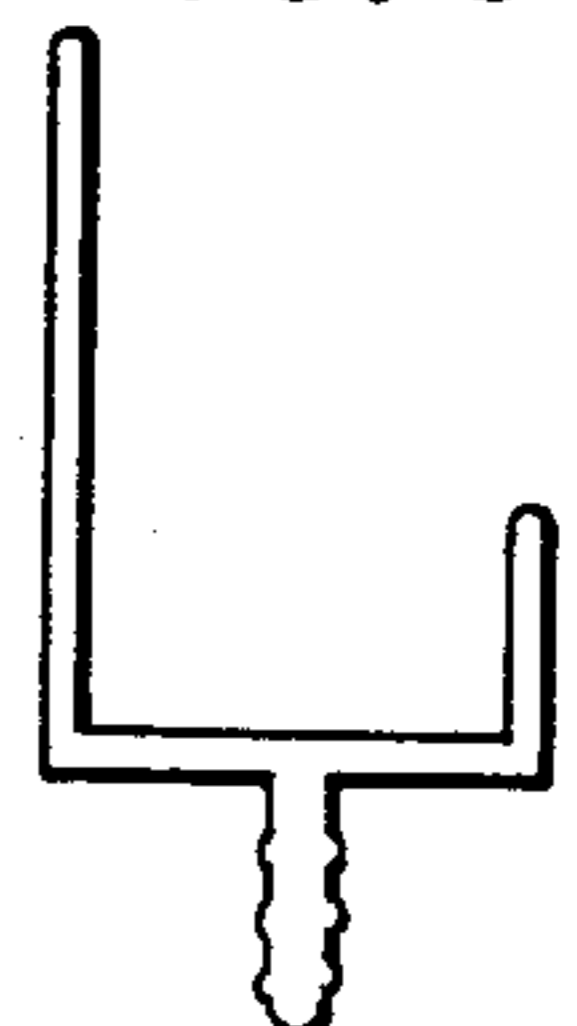


FIG. 6



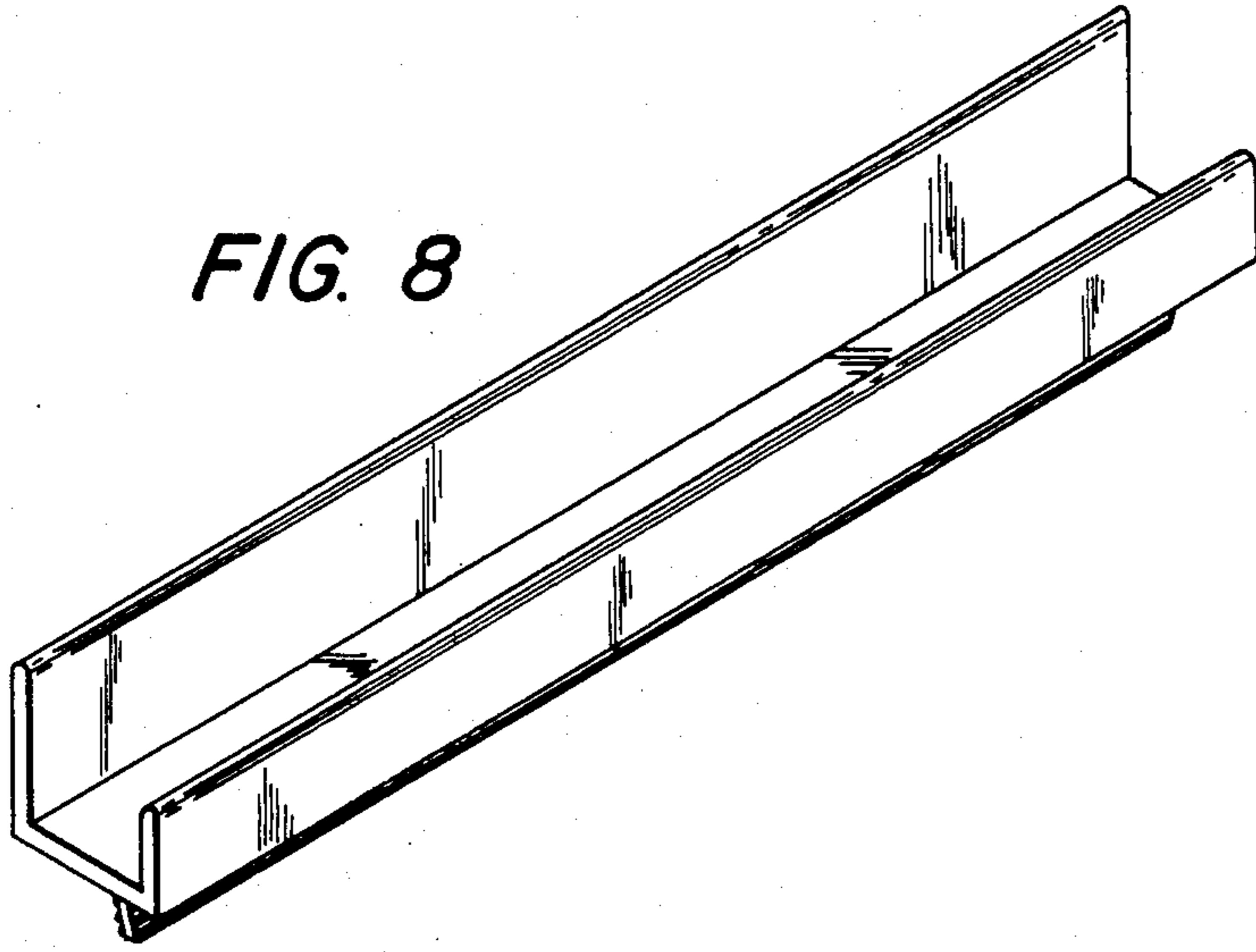


FIG. 8

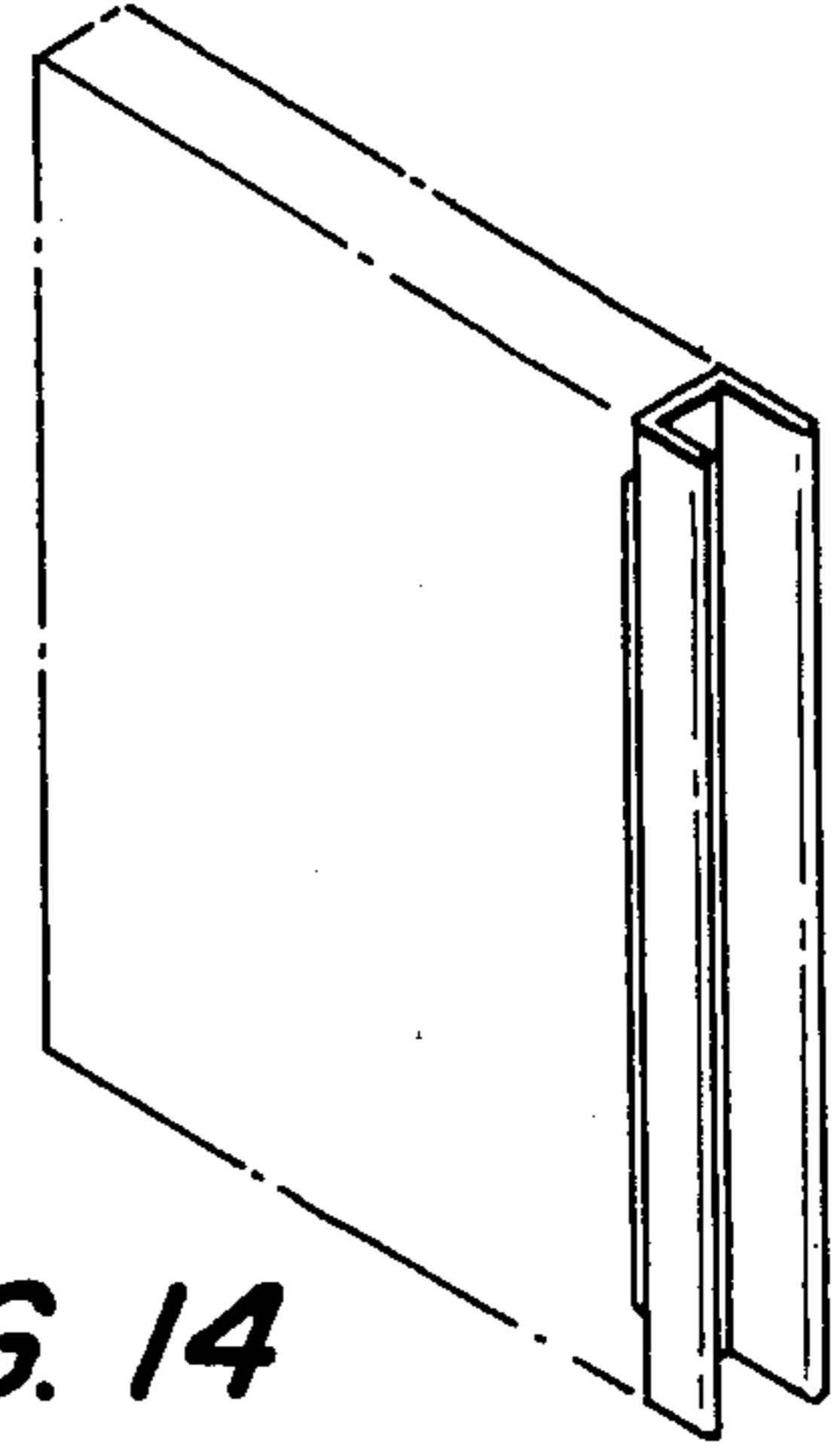


FIG. 14

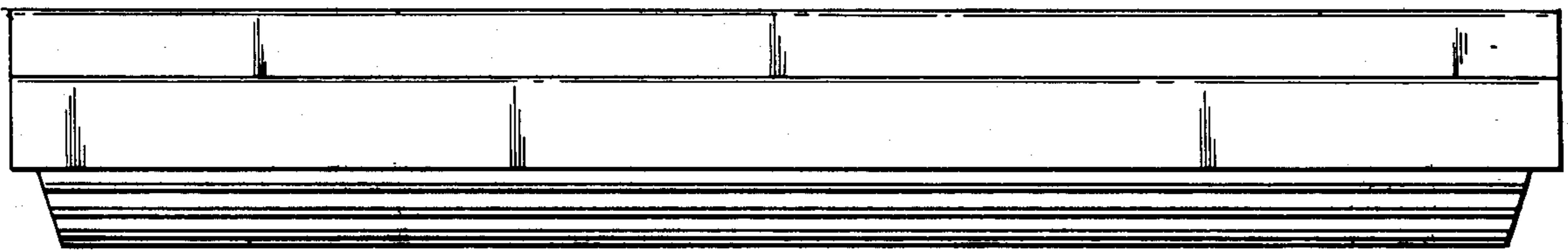


FIG. 9

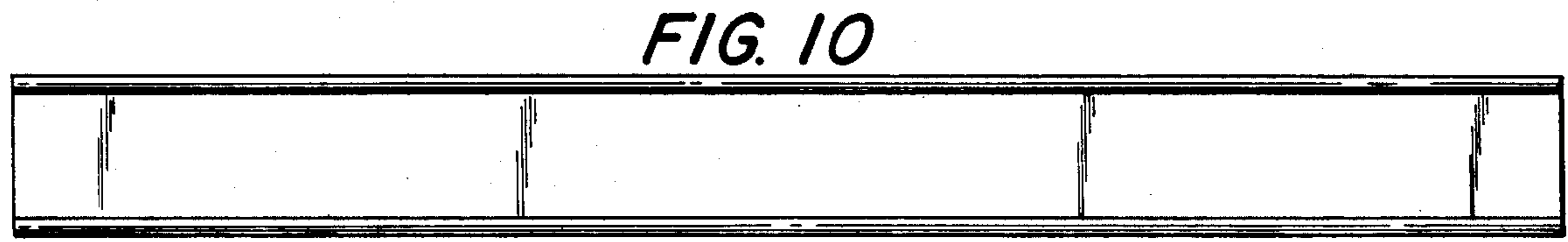


FIG. 10

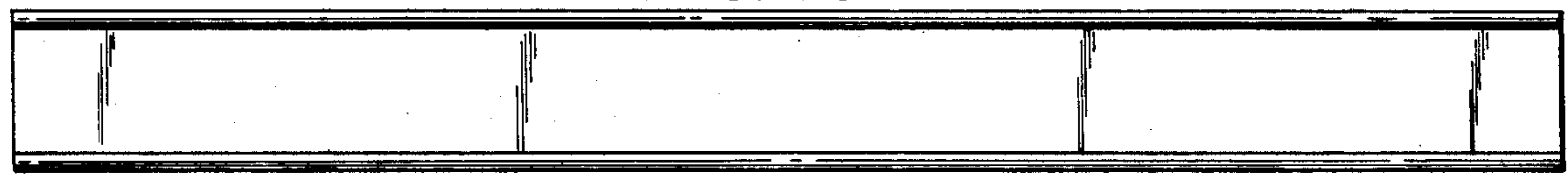


FIG. 11

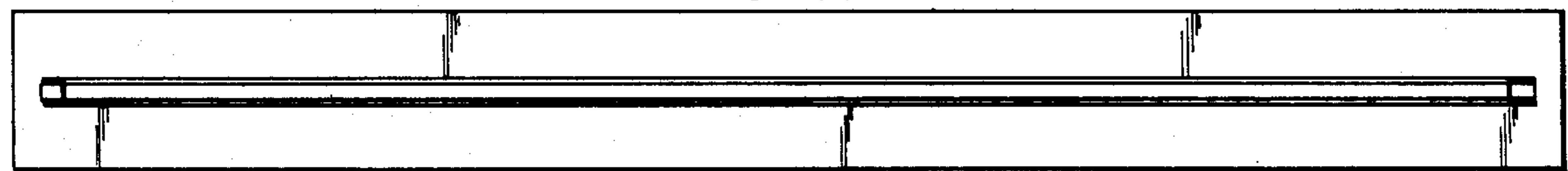


FIG. 12

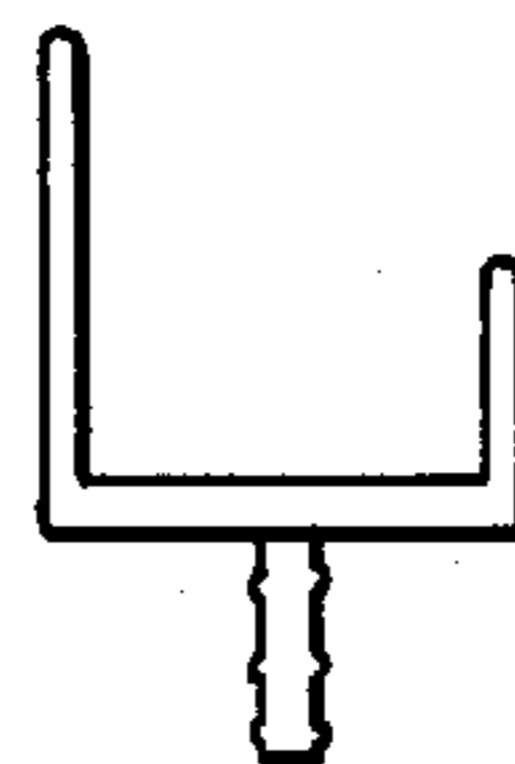
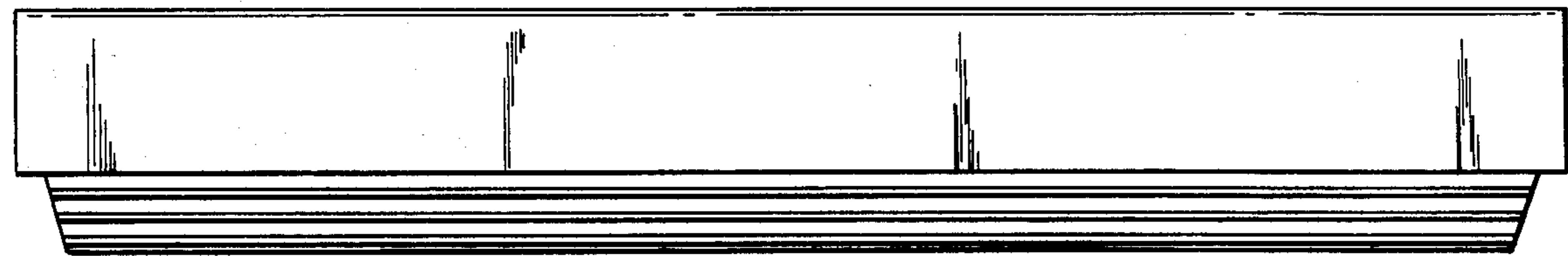


FIG. 13