

[54] DRILL ALIGNMENT ATTACHMENT

[76] Inventor: Robert Lowe Glover, P.O. Box 335, Ash Fork, Ariz. 86320

[**] Term: 14 Years

[21] Appl. No.: 735,447

[22] Filed: Oct. 26, 1976

[51] Int. Cl. D8-05

[52] U.S. Cl. D8/71

[58] Field of Search D8/70, 71; 408/112, 408/79, 84

[56] References Cited

U.S. PATENT DOCUMENTS

D. 240,703	7/1976	Russell	D8/71
2,883,891	4/1959	Shulters et al.	408/112
2,997,900	8/1961	Pugsley	408/112 X

Primary Examiner—Alan P. Douglas
Attorney, Agent, or Firm—Raymond N. Baker

[57] CLAIM

The ornamental design for a drill alignment attachment, substantially as shown and described.

DESCRIPTION

FIG. 1 is a perspective view of a drill alignment attachment embodying the new design of the present invention;

FIG. 2 is a side view in elevation of the drill alignment attachment of FIG. 1;

FIG. 3 is a top plan view of the drill alignment attachment of FIG. 1;

FIG. 4 is a frontal view in elevation of the drill alignment attachment of FIG. 1; and

FIG. 5 is a rear view in elevation of the drill alignment attachment of FIG. 1.

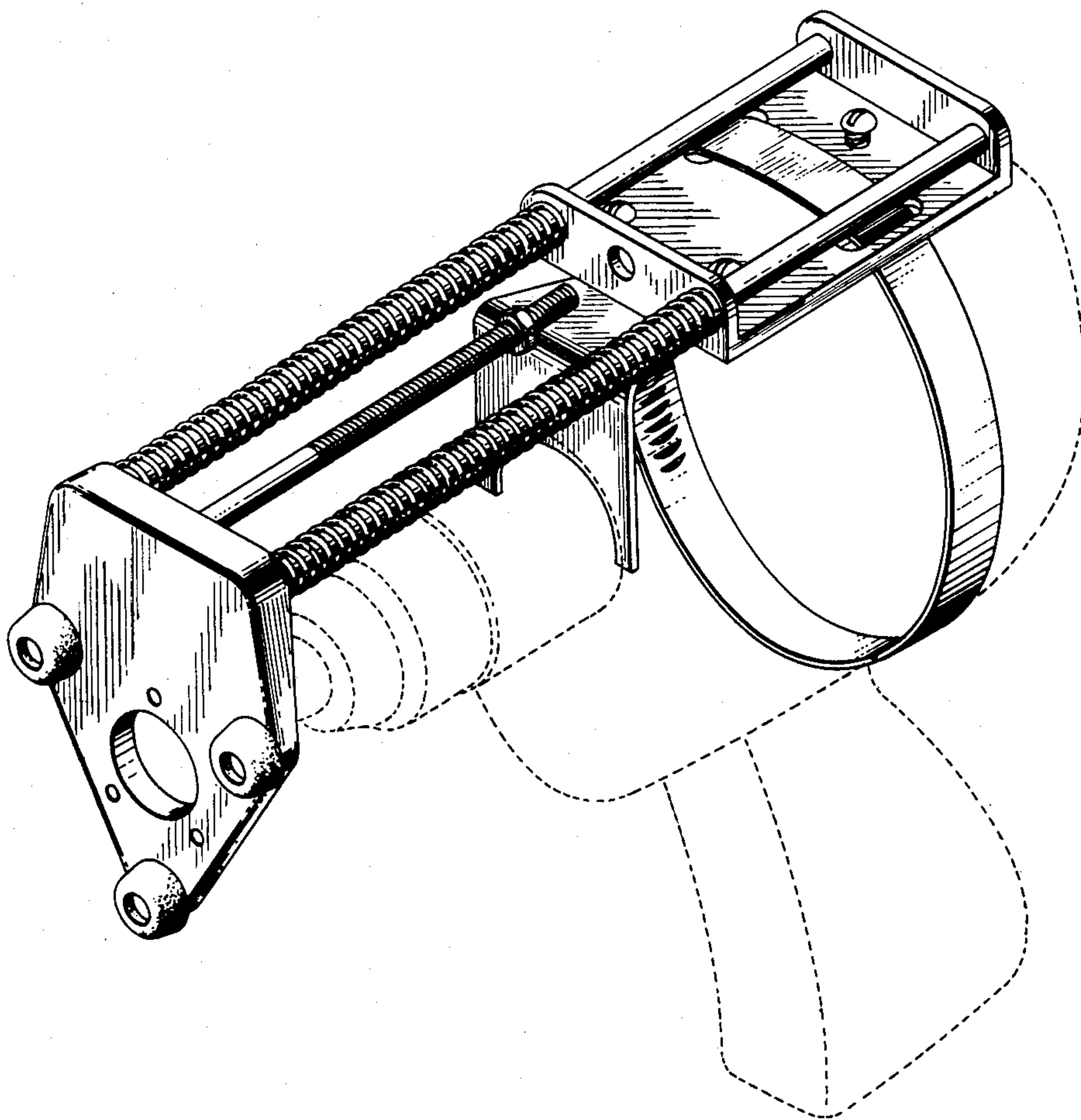


FIG. 1

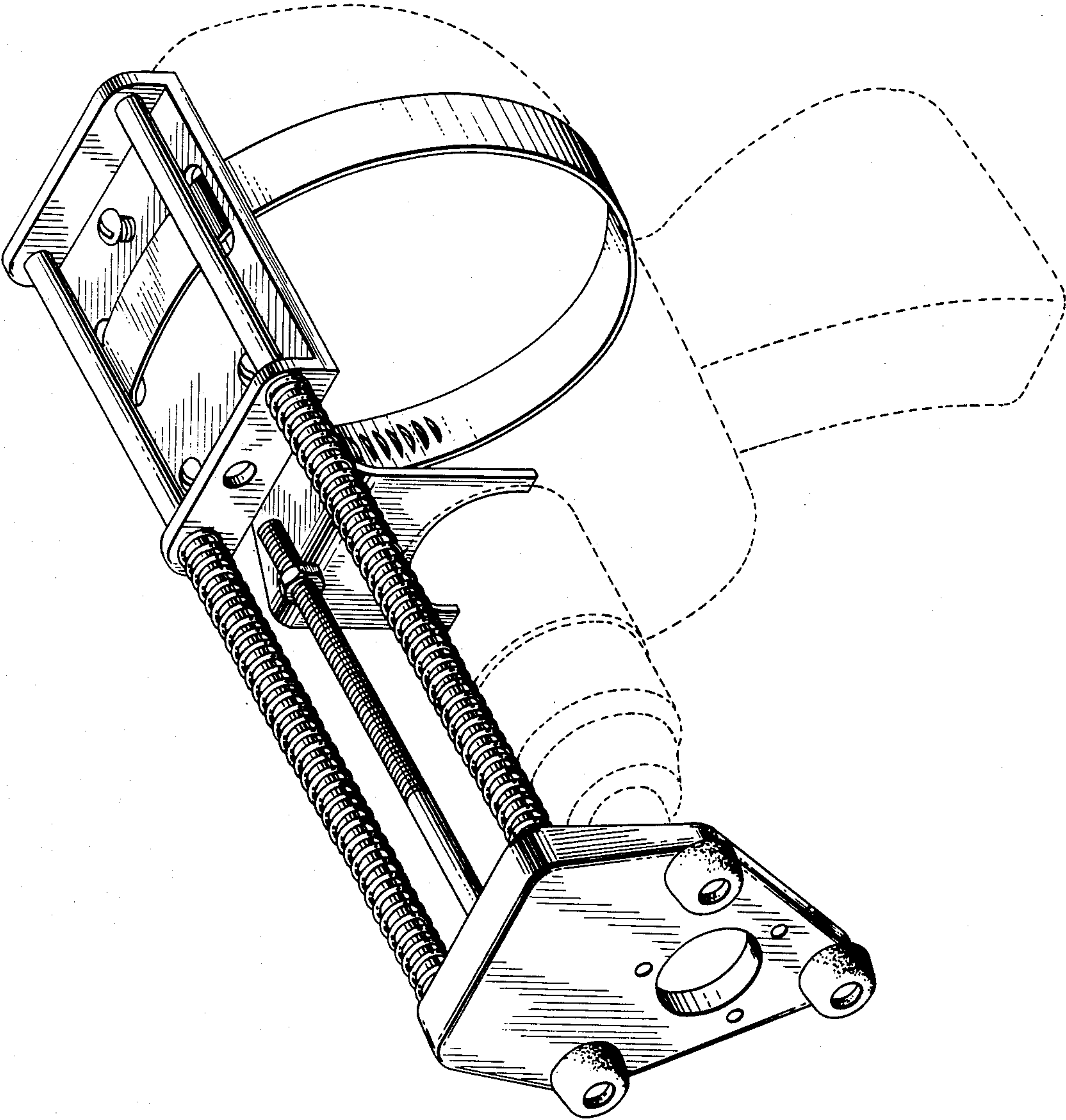


FIG. 2

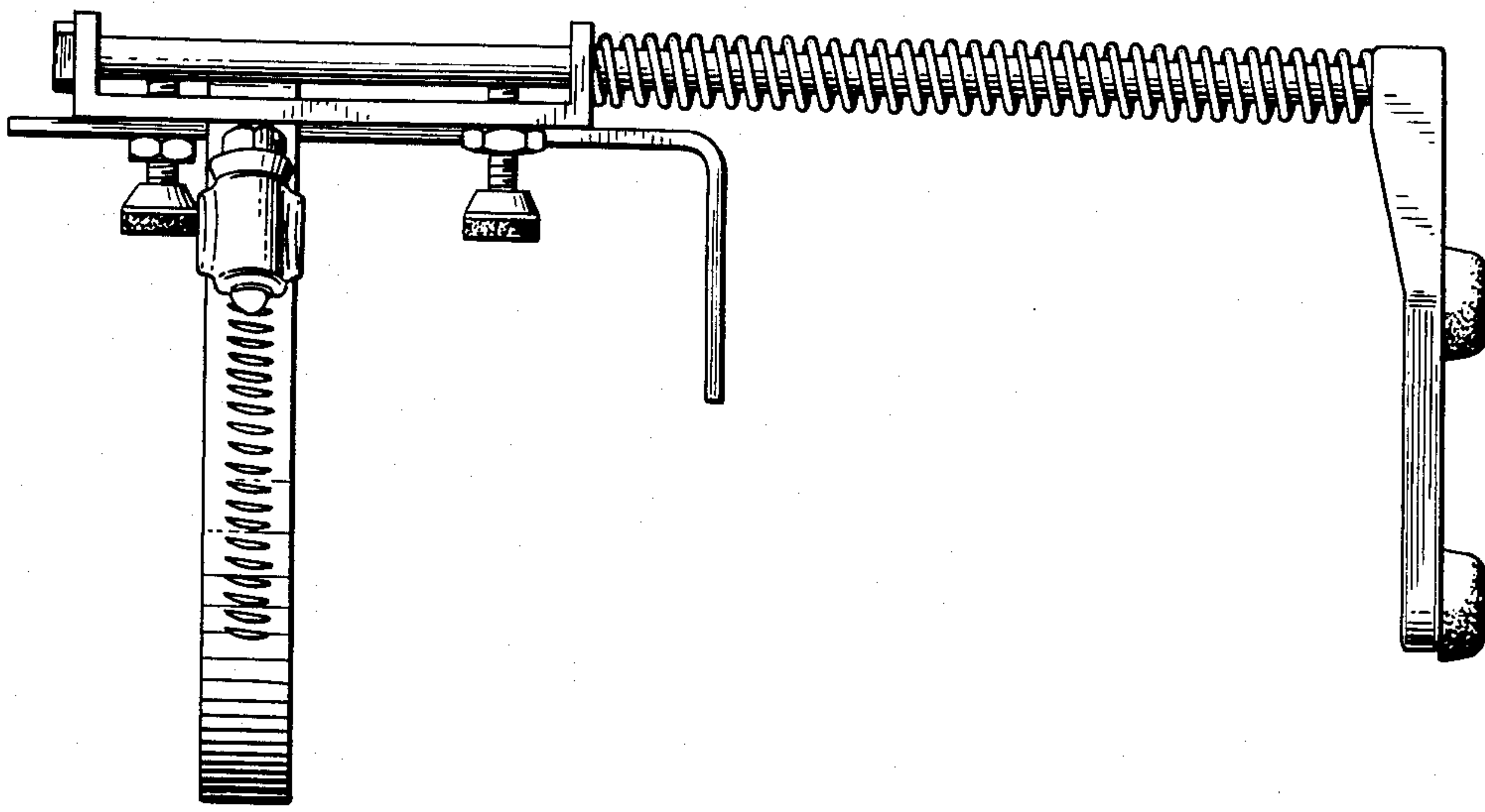


FIG. 3

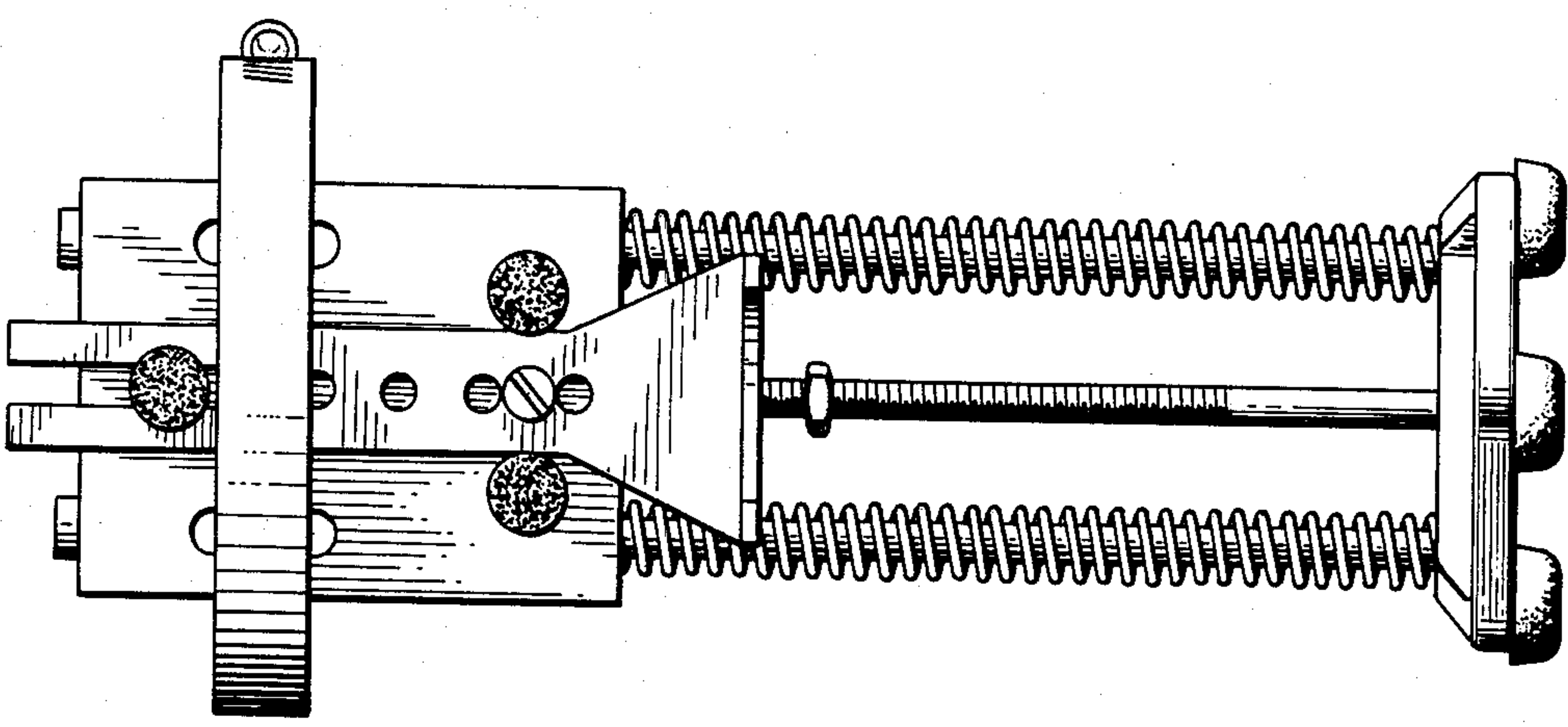


FIG. 4 FIG. 5

