

- [54] POWERED HAND-HELD DRILL
- [75] Inventor: William H. Schultz, Northbrook, Ill.
- [73] Assignee: Skil Corporation, Chicago, Ill.
- [**] Term: 14 Years
- [21] Appl. No.: 657,852
- [22] Filed: Feb. 13, 1976
- [51] Int. Cl. D8-01
- [52] U.S. Cl. D8/68
- [58] Field of Search D8/68; 310/50

References Cited

U.S. PATENT DOCUMENTS

D. 222,029	9/1971	McElroy	D8/68
D. 225,300	12/1972	Boldt	D8/68
3,818,255	6/1974	Wagner	310/50

OTHER PUBLICATIONS

Hardware Age, Aug. 1975, p. 6, Skil Cordless drills on page.
 Design, Oct. 1968, p. 60, hand drill at lower left of page.

Primary Examiner—Alan P. Douglas

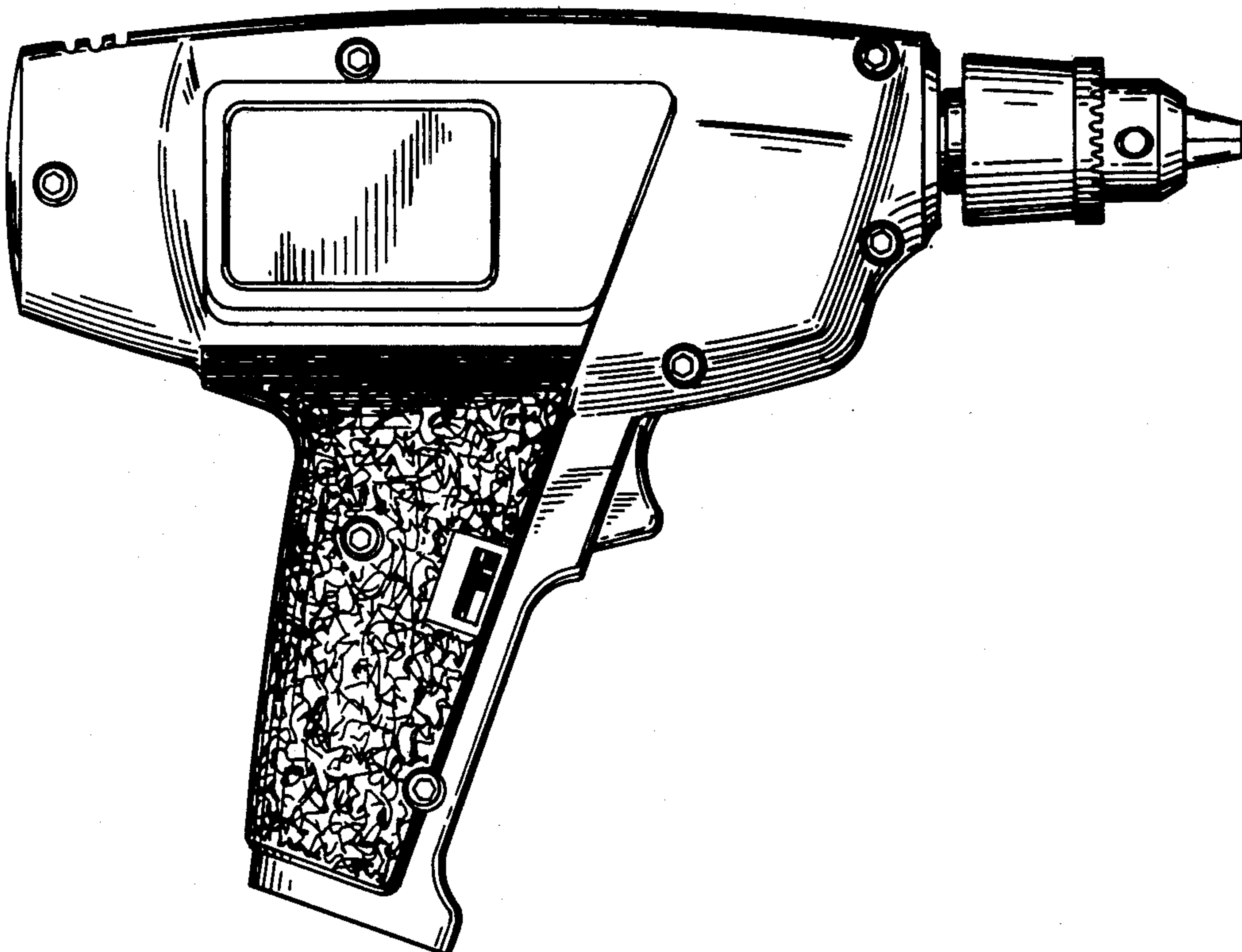
Attorney, Agent, or Firm—Dugald S. McDougall

[57] CLAIM

The ornamental design for a powered hand-held drill, as shown.

DESCRIPTION

FIG. 1 is an elevational view showing one side of a first embodiment of a powered hand-held drill embodying my new design;
 FIG. 2 is an elevational view showing the other side thereof;
 FIG. 3 is a front elevational view thereof;
 FIG. 4 is a rear elevational view thereof;
 FIG. 5 is a top plan view thereof;
 FIG. 6 is a bottom plan view thereof;
 FIG. 7 is an elevational view showing one side of a second embodiment of a powered hand-held drill embodying my new design;
 FIG. 8 is an elevational view showing the other side thereof;
 FIG. 9 is a front elevational view thereof;
 FIG. 10 is a rear elevational view thereof;
 FIG. 11 is a top plan view thereof;
 FIG. 12 is a bottom plan view thereof.



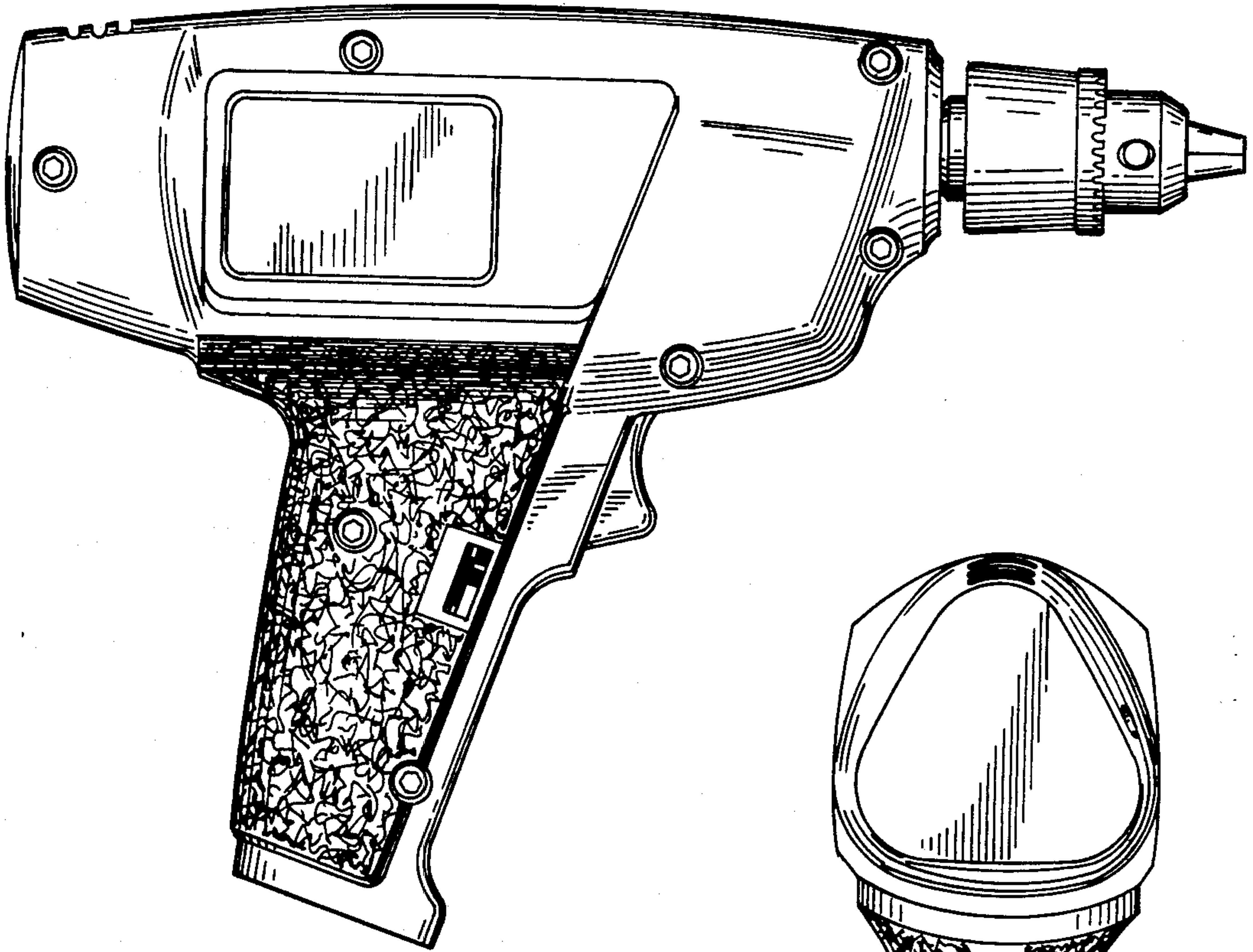


FIG. 1.

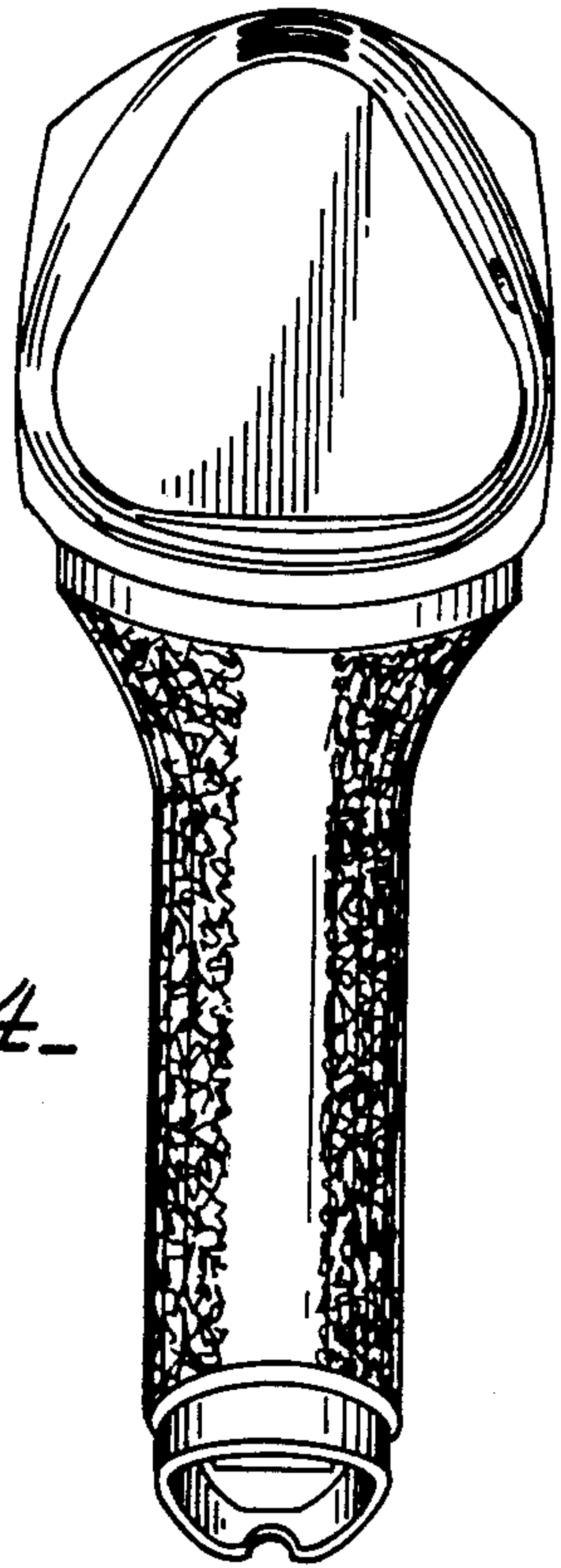
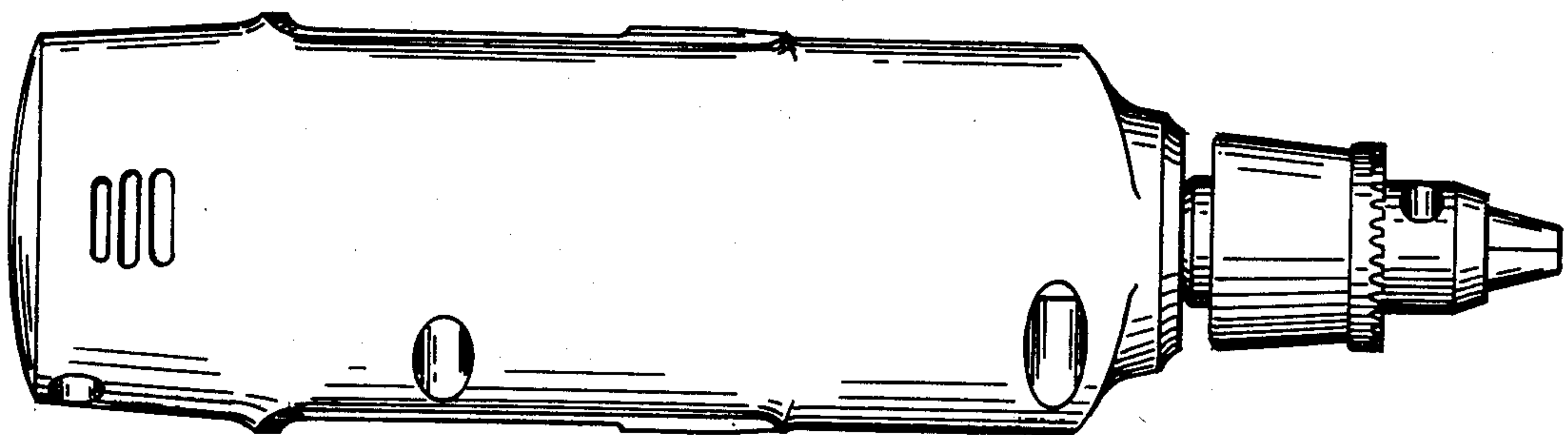


FIG. 4.

FIG. 5.



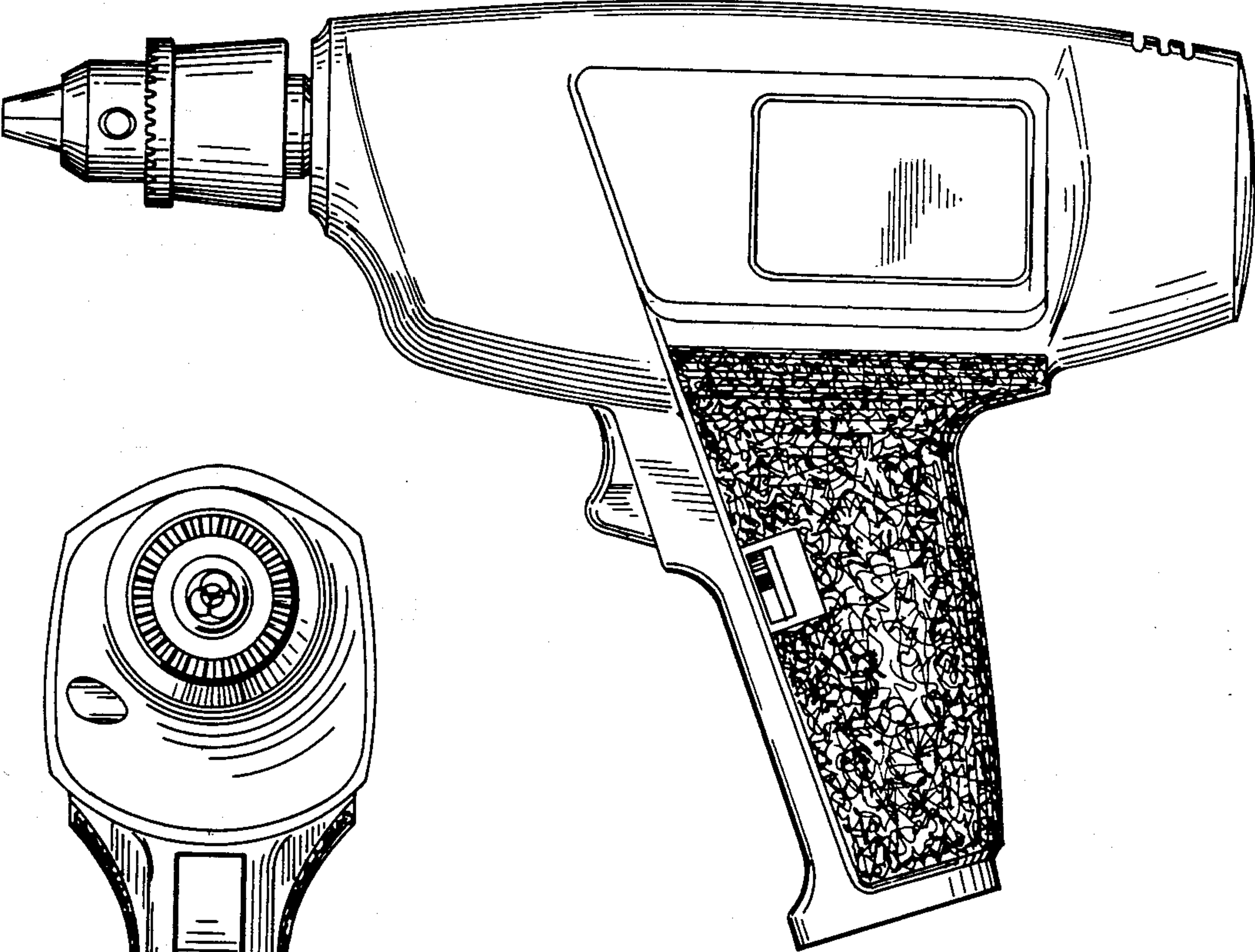


FIG. 2.

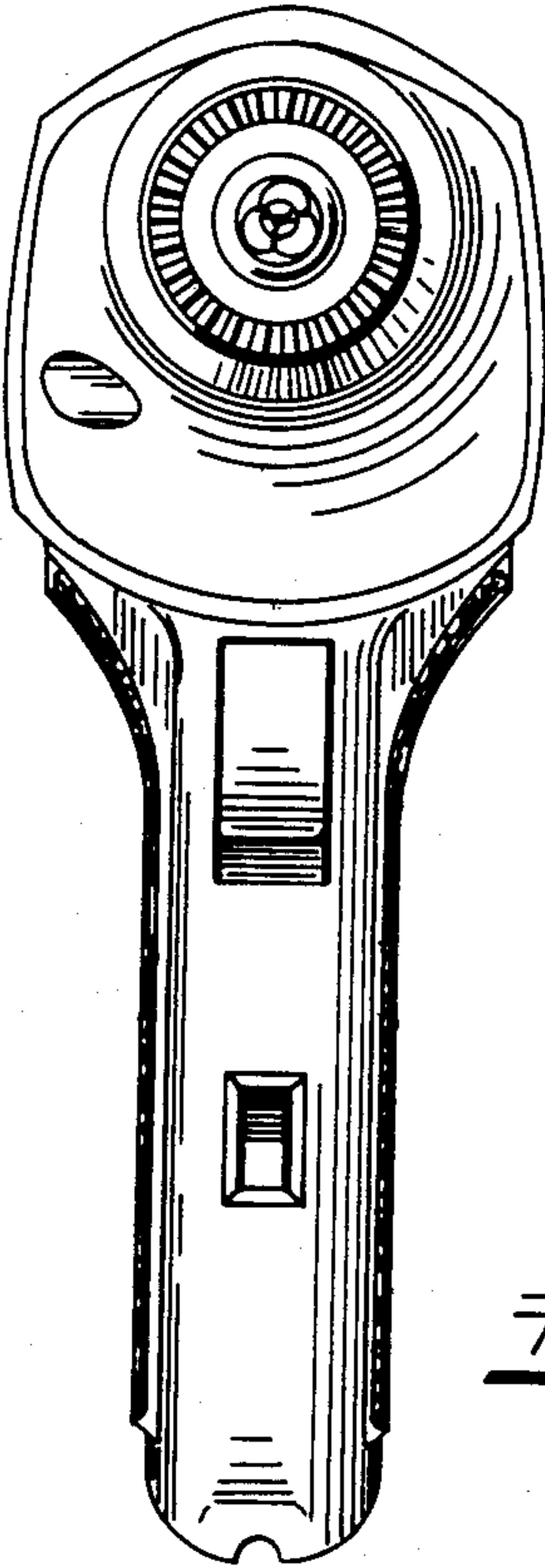
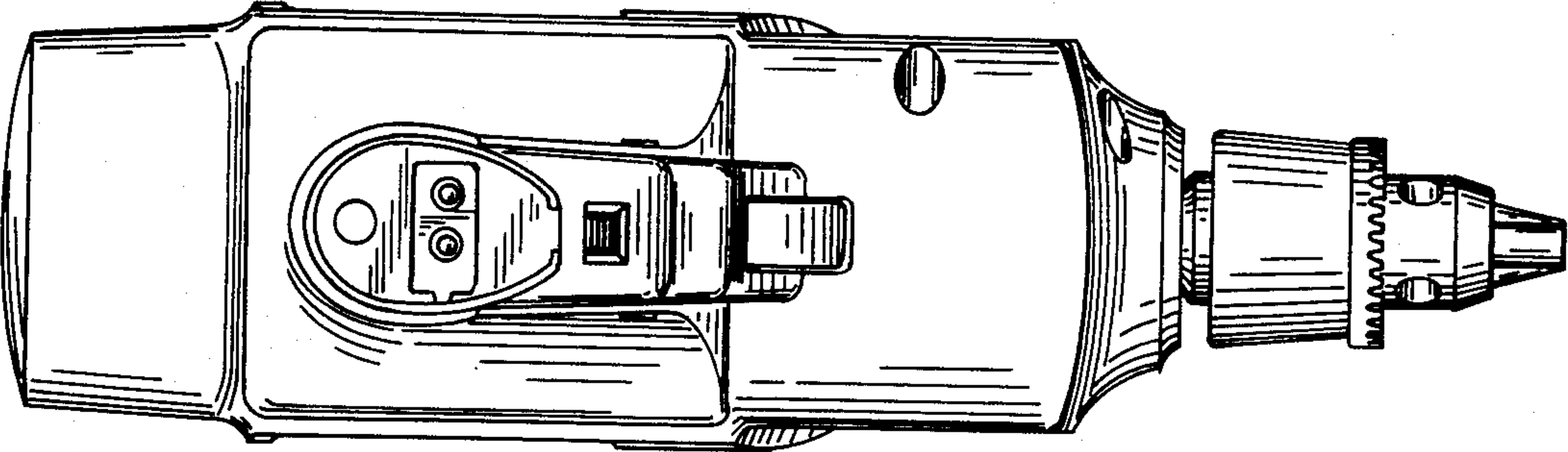


FIG. 3.

FIG. 6.



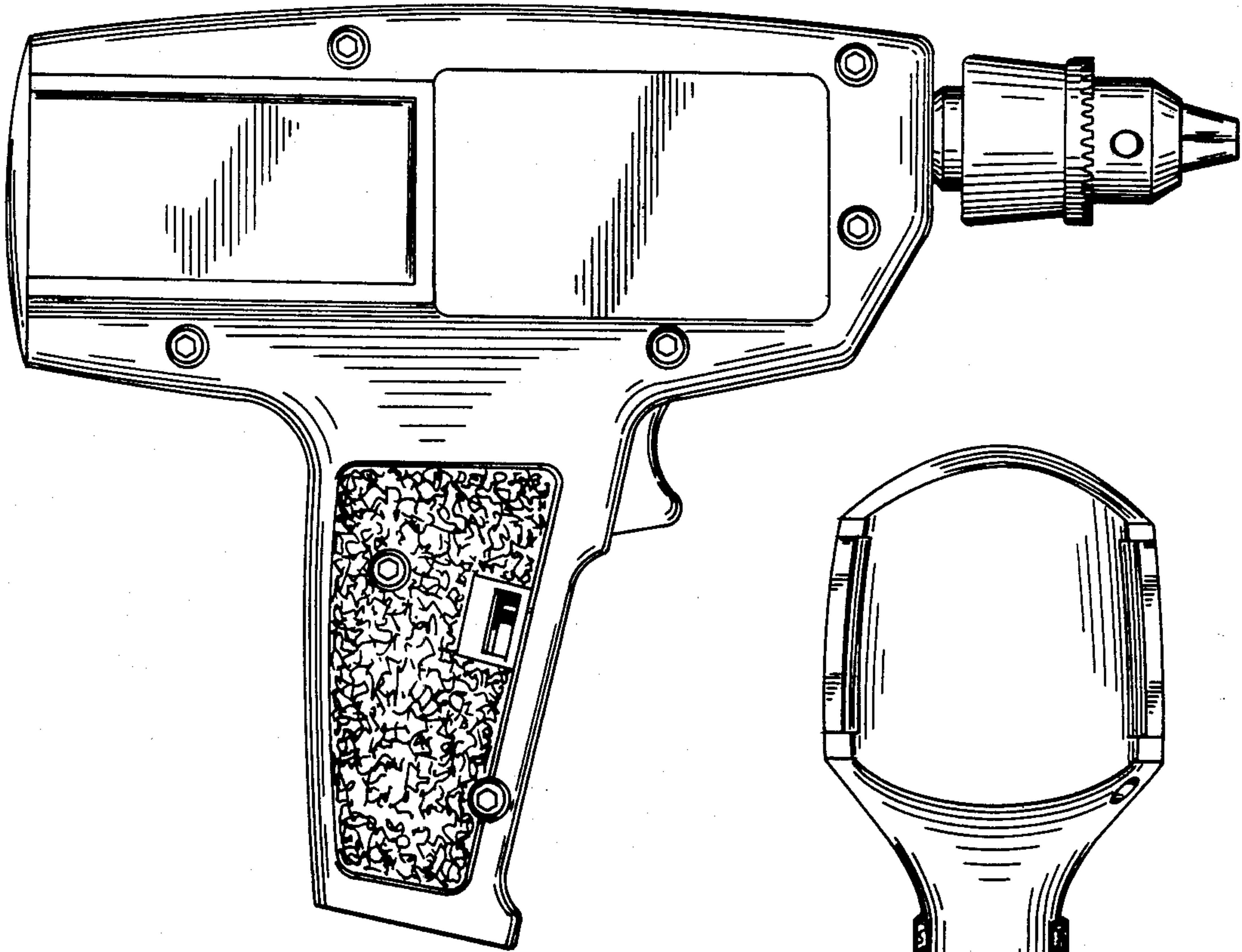


FIG. 7.

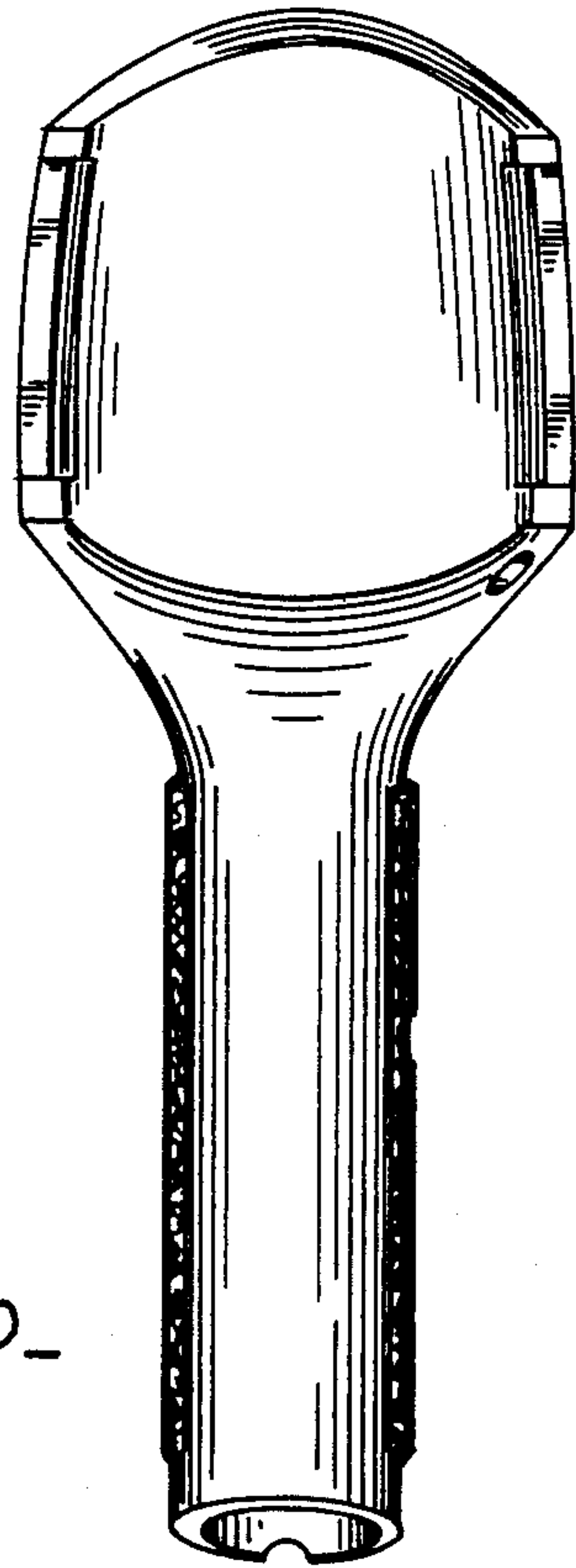


FIG. 10.

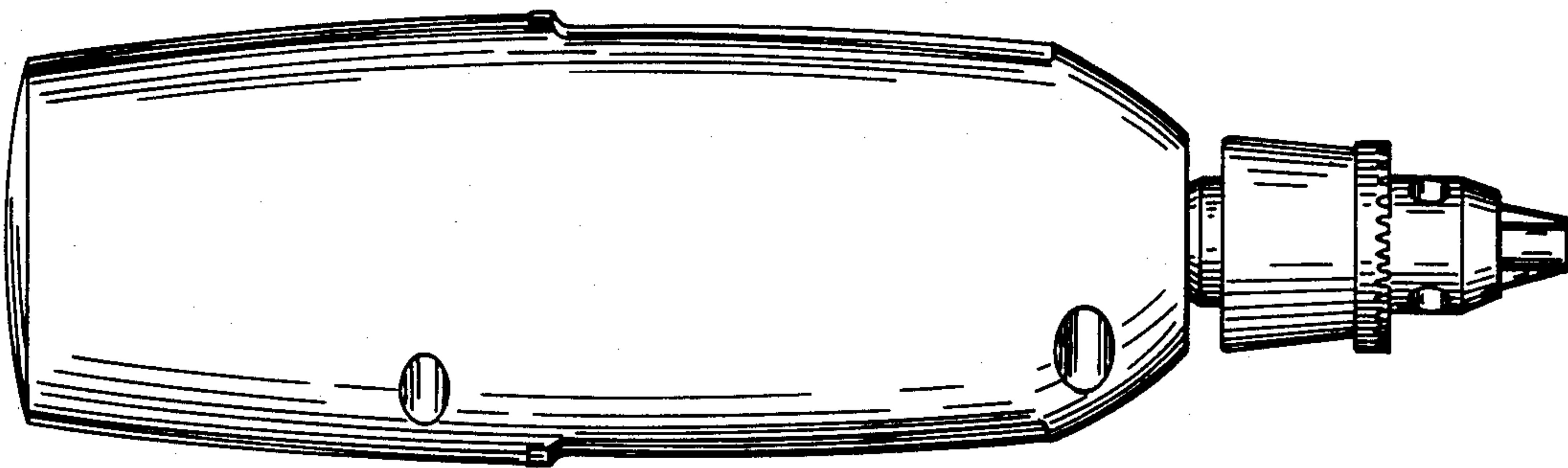


FIG. 11.

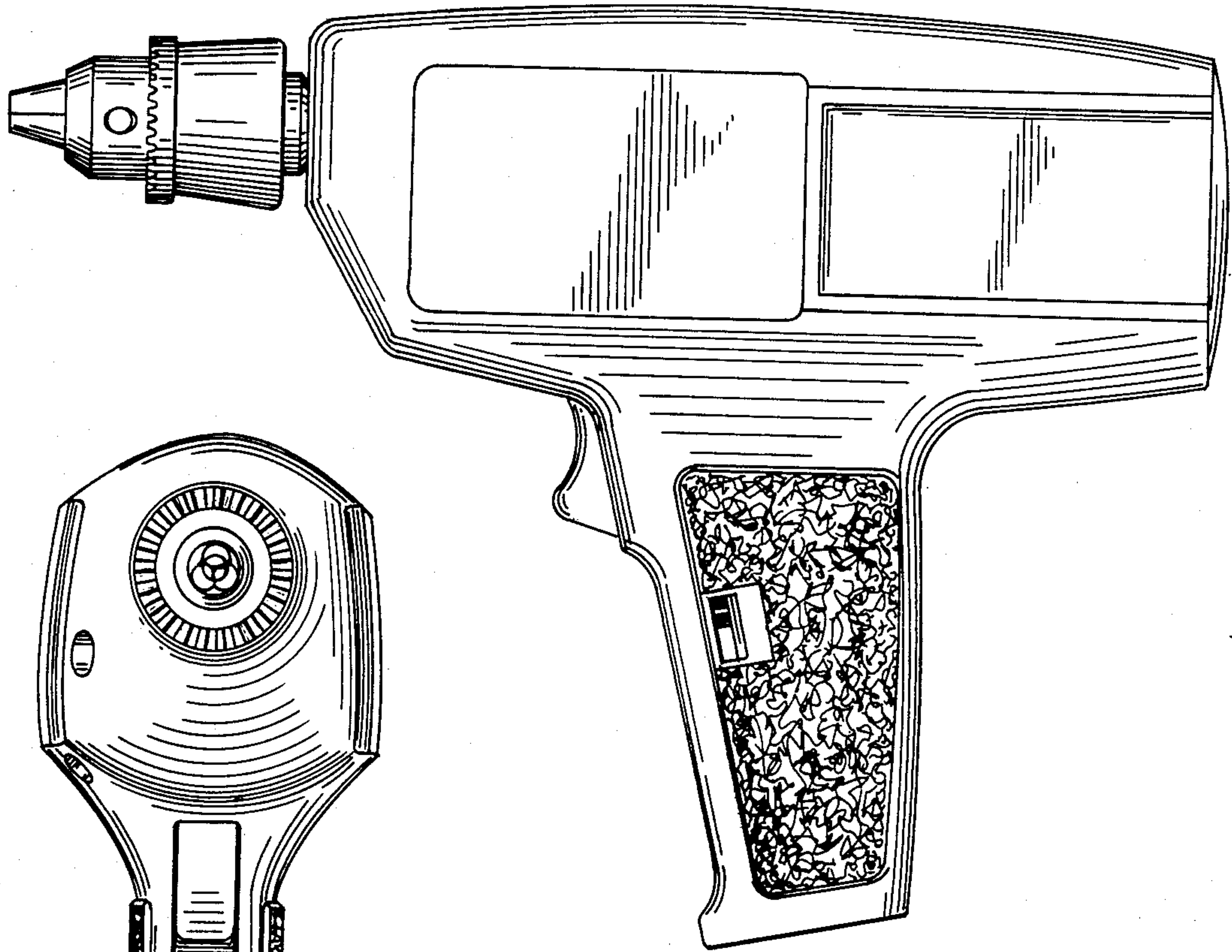


FIG. 8.

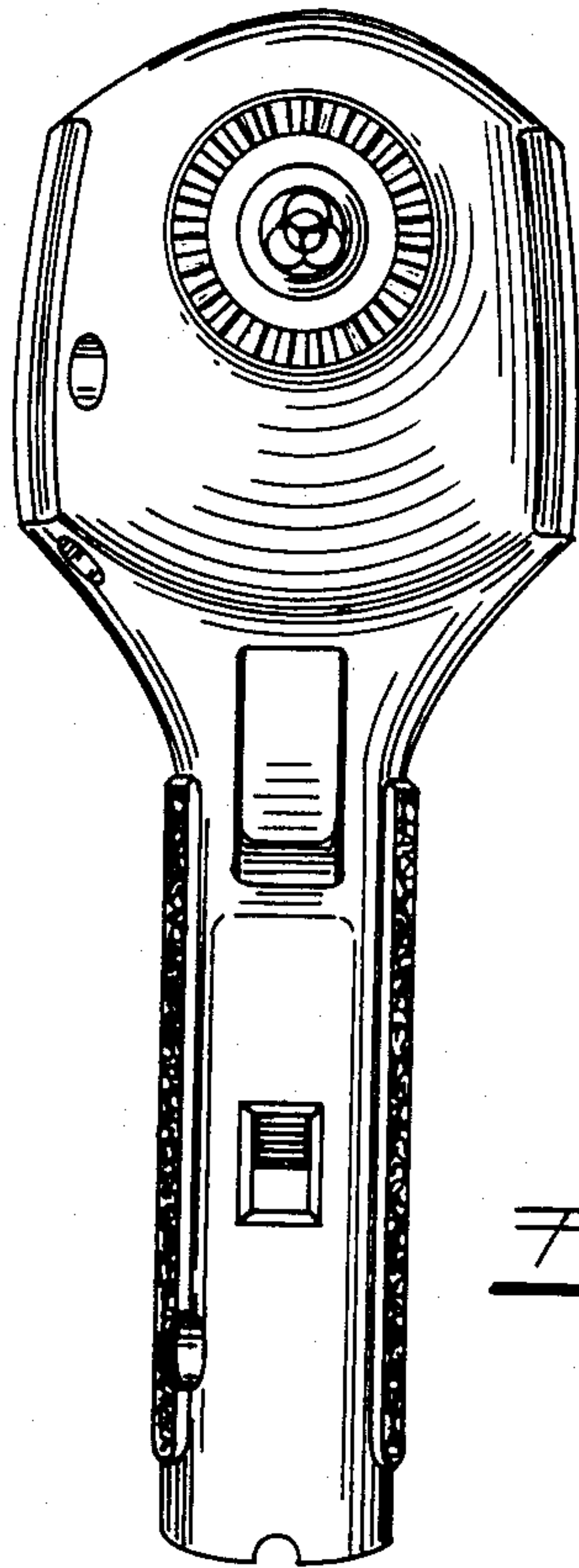


FIG. 9.

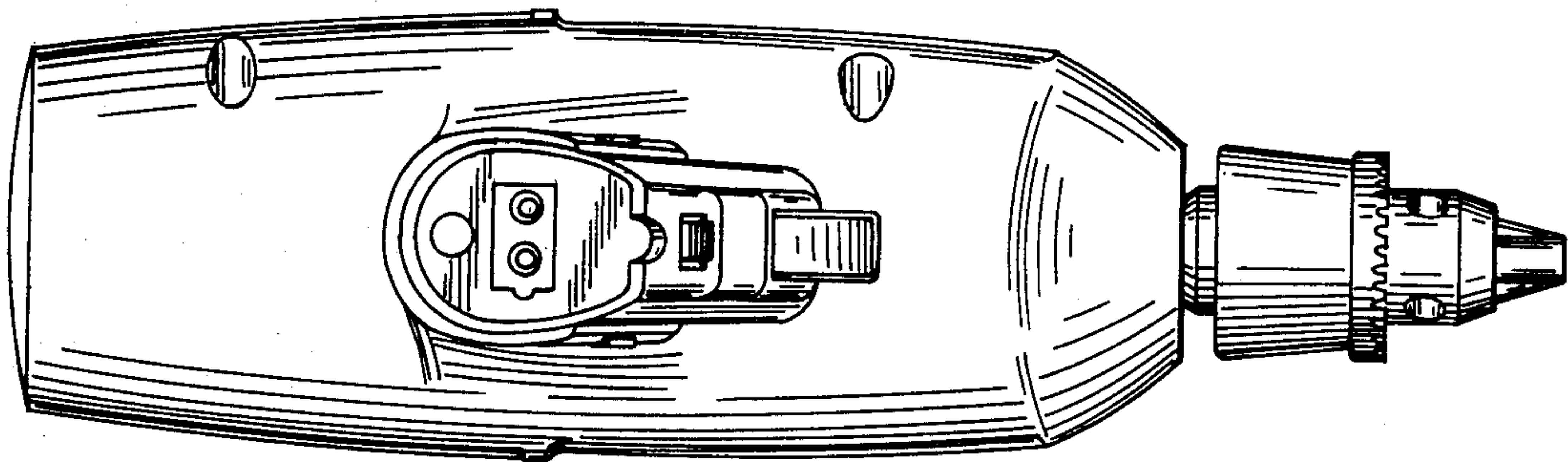


FIG. 12.