

[54] FREE STANDING LIGHT FIXTURE

[75] Inventor: William C. Fabbri, Billerica, Mass.

[73] Assignee: Keene Corporation

[**] Term: 14 Years

[21] Appl. No.: 722,020

[22] Filed: Sept. 10, 1976

[51] Int. Cl. D26-05

[52] U.S. Cl. D48/20 A

[58] Field of Search D48/20 R, 20 F, 20 E,
D48/20 A; 240/25 L, 10 R, 81 BS, 81 R

[56] References Cited

U.S. PATENT DOCUMENTS

D. 204,793	5/1966	Rodriguez	D48/20 A
D. 223,504	4/1972	Ishikawa	D48/20 F
3,341,702	9/1967	Neumann	240/81 R

OTHER PUBLICATIONS

Merchandising Week, Jan. 1976, p. 25 - Heating lamp.

Primary Examiner—Susan J. Lucas
Attorney, Agent, or Firm—David S. Kane

[57] CLAIM

The ornamental design for a free standing light fixture, as shown and described.

DESCRIPTION

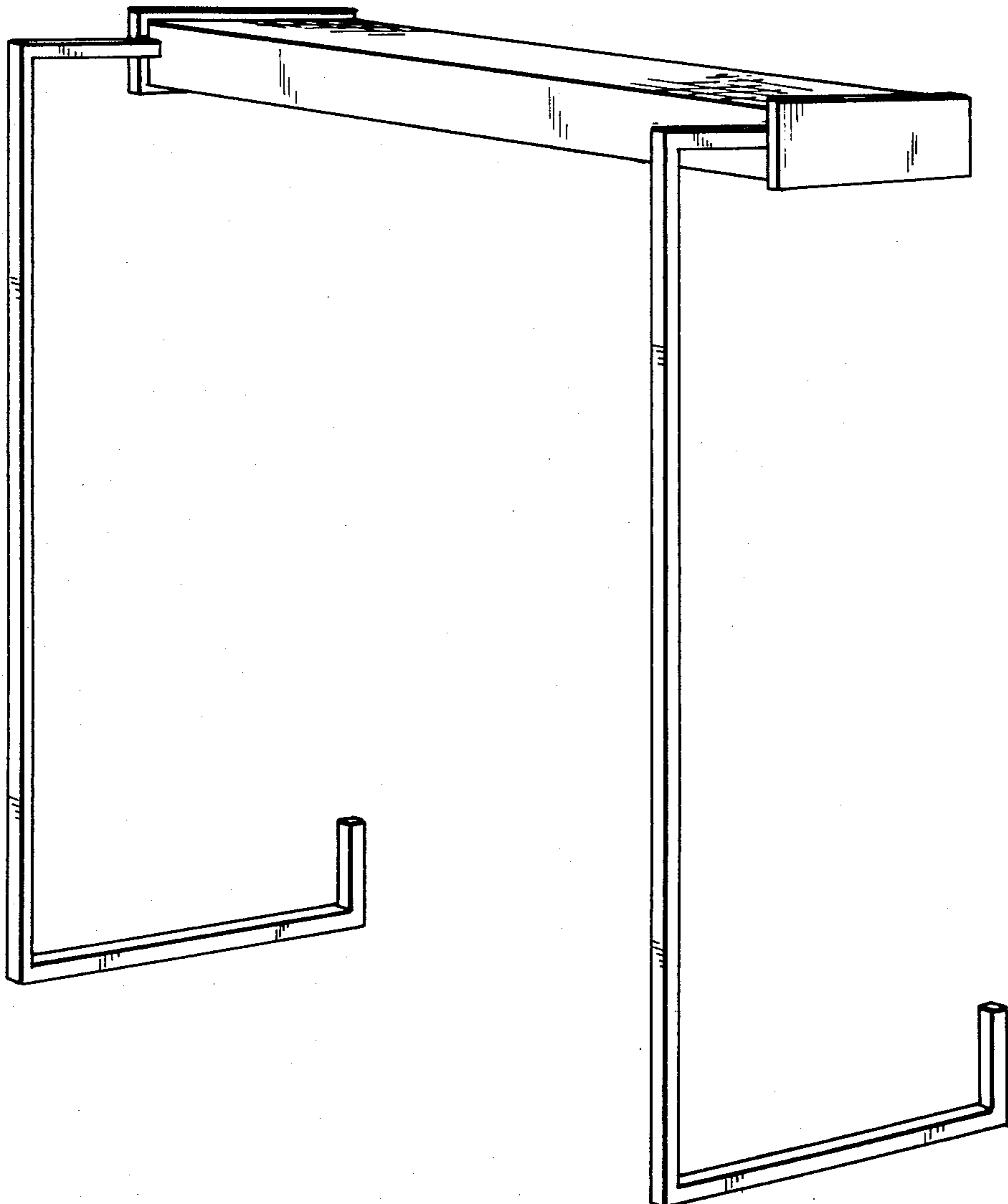
FIG. 1 is a perspective view as seen from the top, front and one side of the free standing light fixture showing my new design;

FIG. 2 is a top plan view of the fixture;

FIG. 3 is a front elevational view of the fixture; and,

FIG. 4 is a bottom plan view of the fixture.

The cross-hatching is partially shown on the top and bottom surfaces of the light emitting portion of the fixture for convenience of illustration, it being understood that the cross-hatching is continuous over the surfaces indicated.



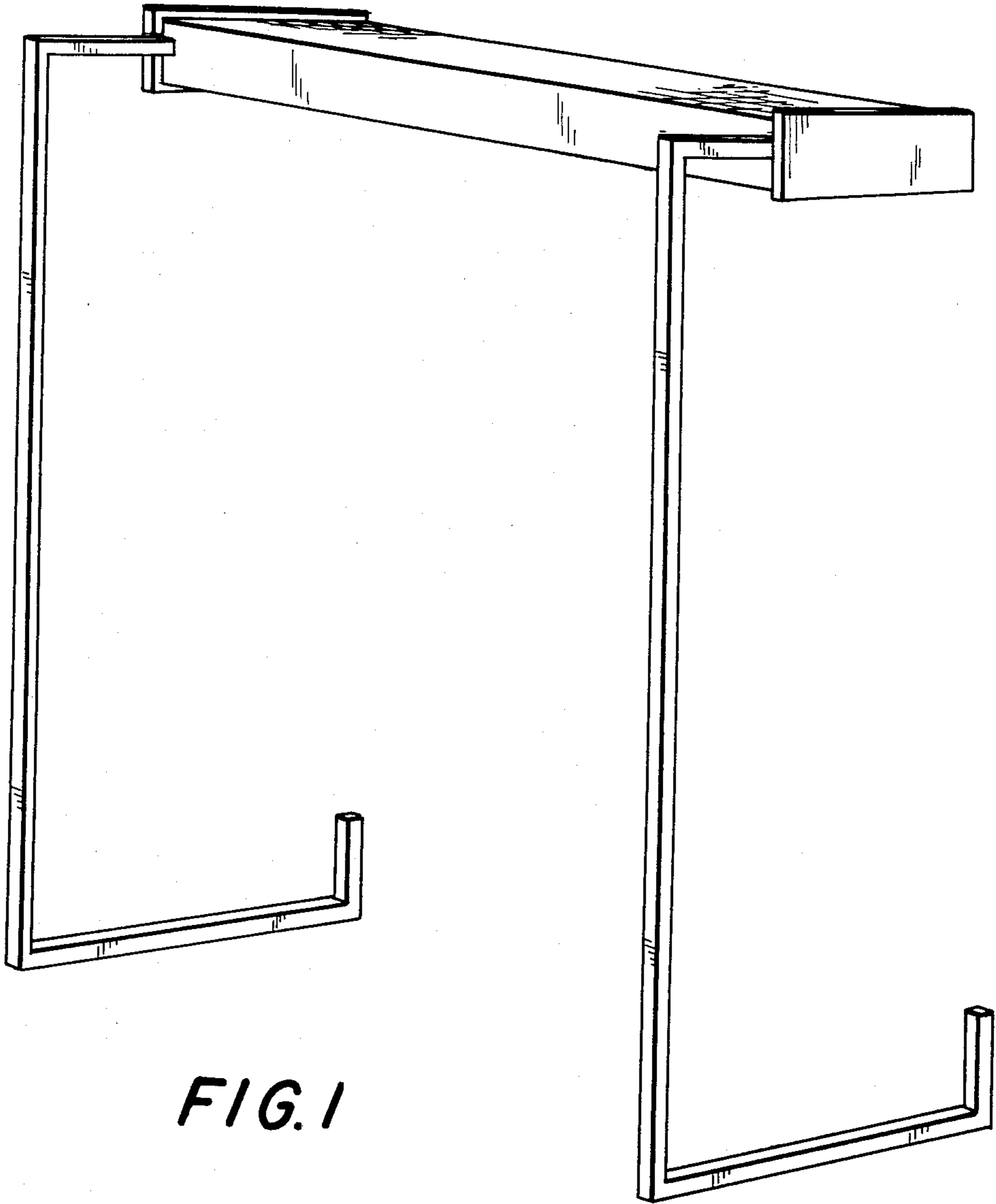
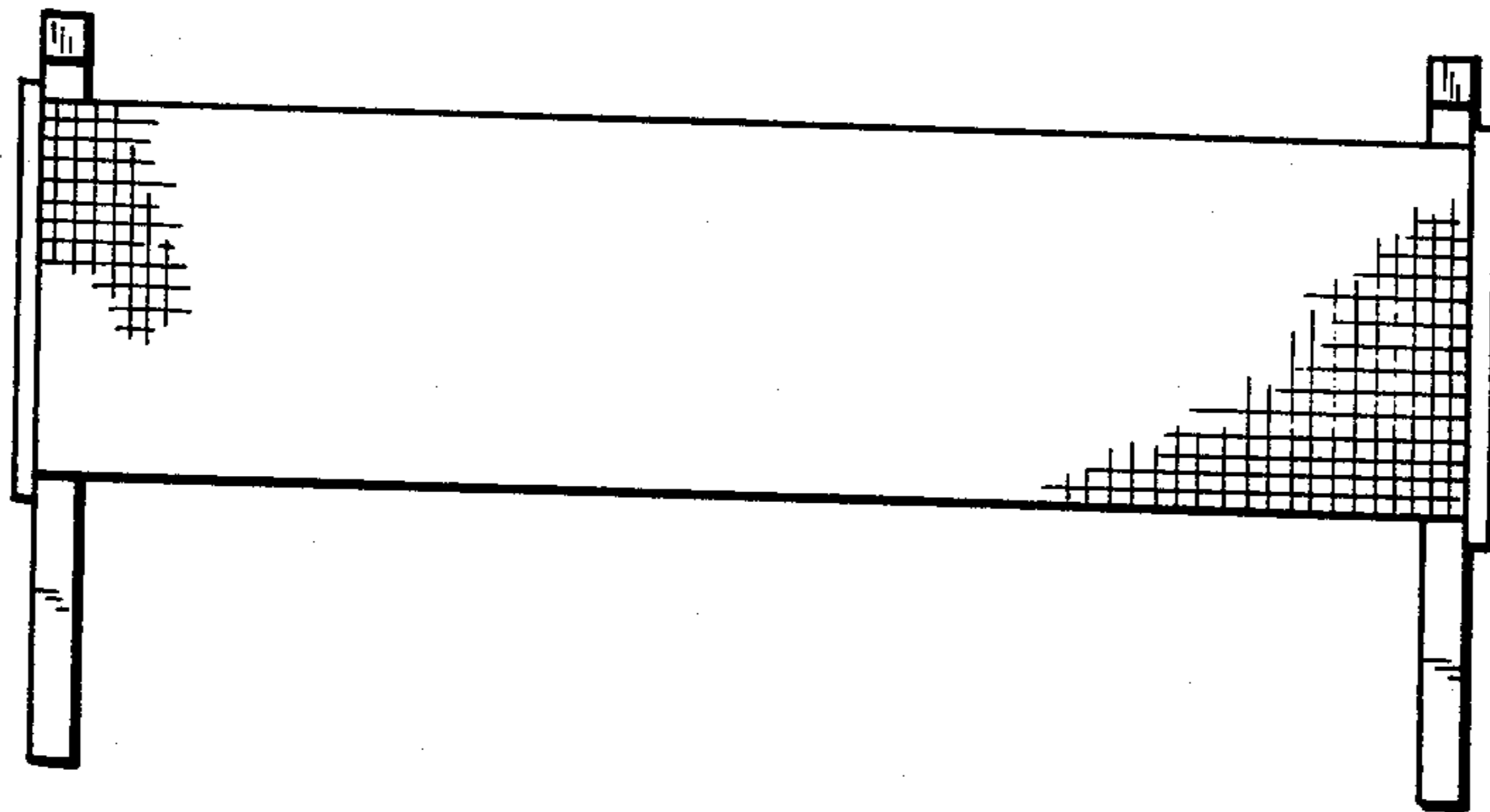


FIG. 1

FIG. 2



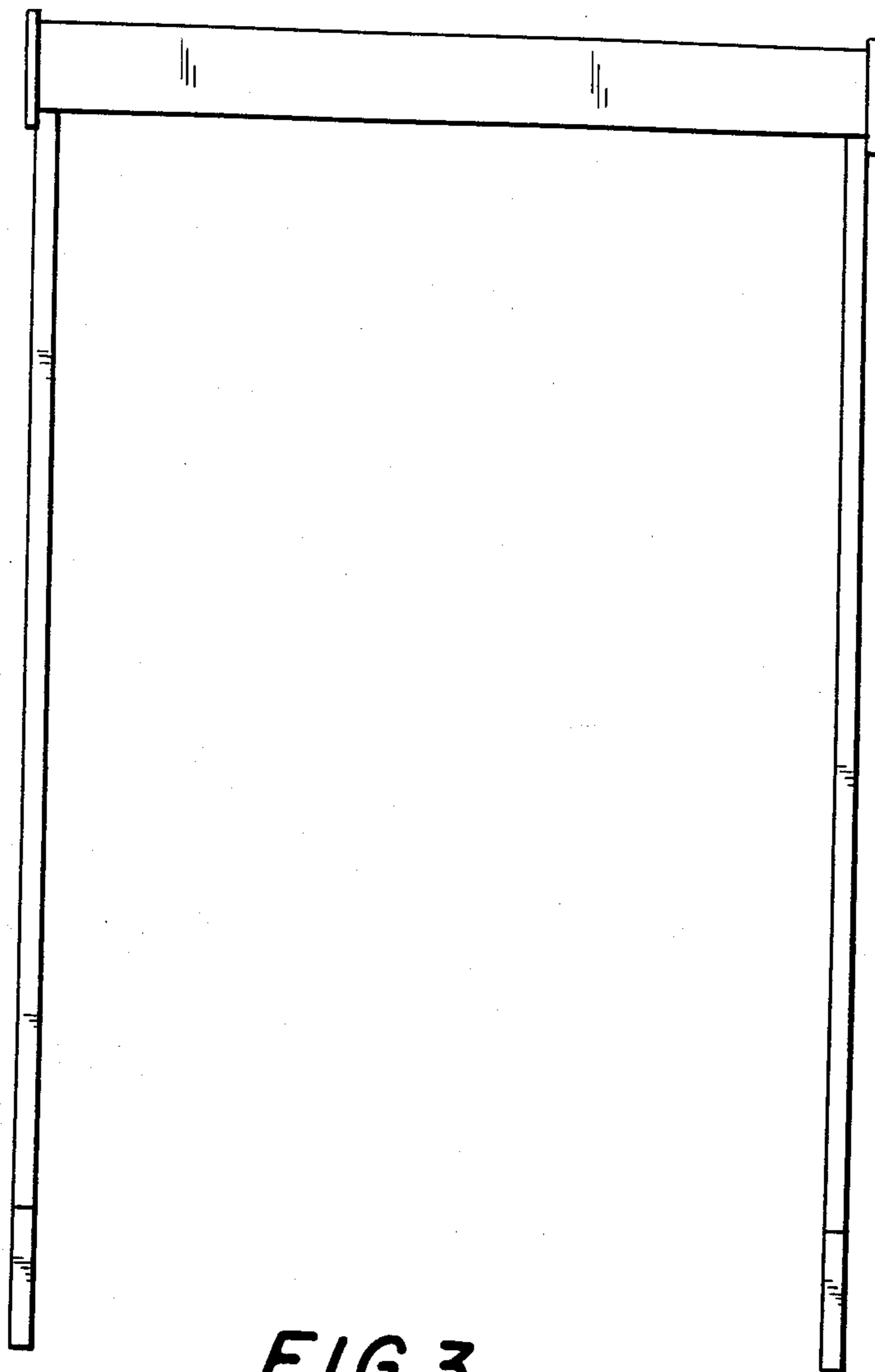


FIG. 3

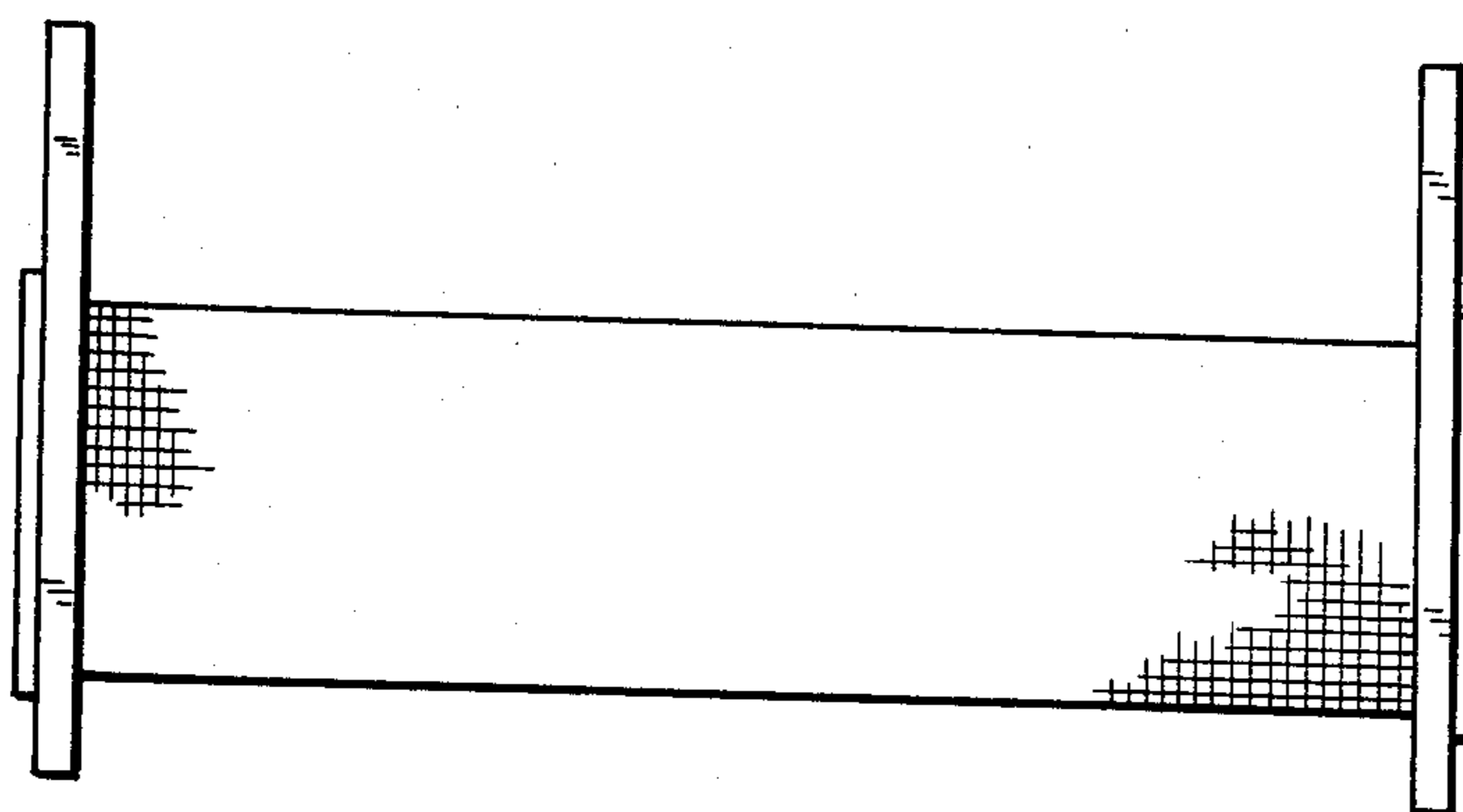


FIG. 4