

[54] TOY CONSTRUCTION PIECE

[75] Inventor: Godtfred Christiansen, Billund, Denmark

[73] Assignee: Interlego A.G., Switzerland

[**] Term: 14 Years

[21] Appl. No.: 743,391

[22] Filed: Nov. 19, 1976

Related U.S. Application Data

[62] Division of Ser. No. 613,743, Sept. 16, 1975.

Foreign Application Priority Data

Mar. 25, 1975 Denmark 253

[51] Int. Cl. D21-01

[52] U.S. Cl. D34/15 GG

[58] Field of Search D34/15 GG; 46/16-23, 46/30, 31

[56] References Cited

U.S. PATENT DOCUMENTS

D. 226,114	1/1973	Nutting	D34/15 GG
D. 233,935	12/1974	Schroeder	D34/15 GG
1,779,826	10/1930	Potter	D34/15 GG
3,640,017	2/1972	Christiansen	46/23

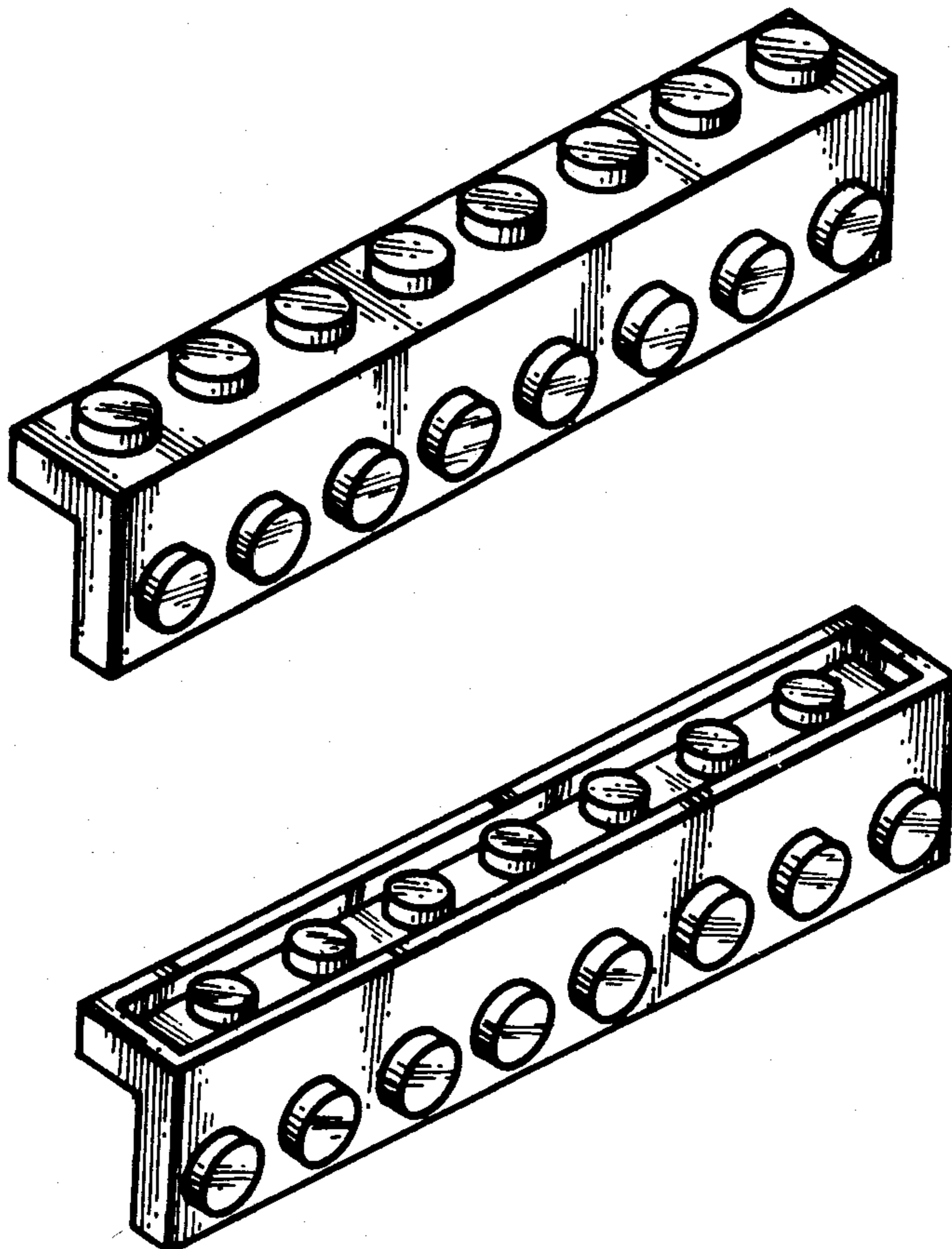
Primary Examiner—Joel Stearman
Assistant Examiner—C. A. Rademaker
Attorney, Agent, or Firm—Davidson C. Miller

[57] CLAIM

The design for toy construction piece, as shown and described.

DESCRIPTION

FIG. 1 is a front and top perspective view of a toy construction piece showing my new design; FIG. 2 is a rear and bottom perspective view thereof; FIG. 3 is a front and top perspective view of a modification of the piece of FIG. 1; FIG. 4 is a rear and bottom perspective view of the piece of FIG. 3; FIG. 5 is a front and top perspective view of a second modification of the piece of FIG. 1; and FIG. 6 is a rear and bottom perspective view of the piece of FIG. 5.



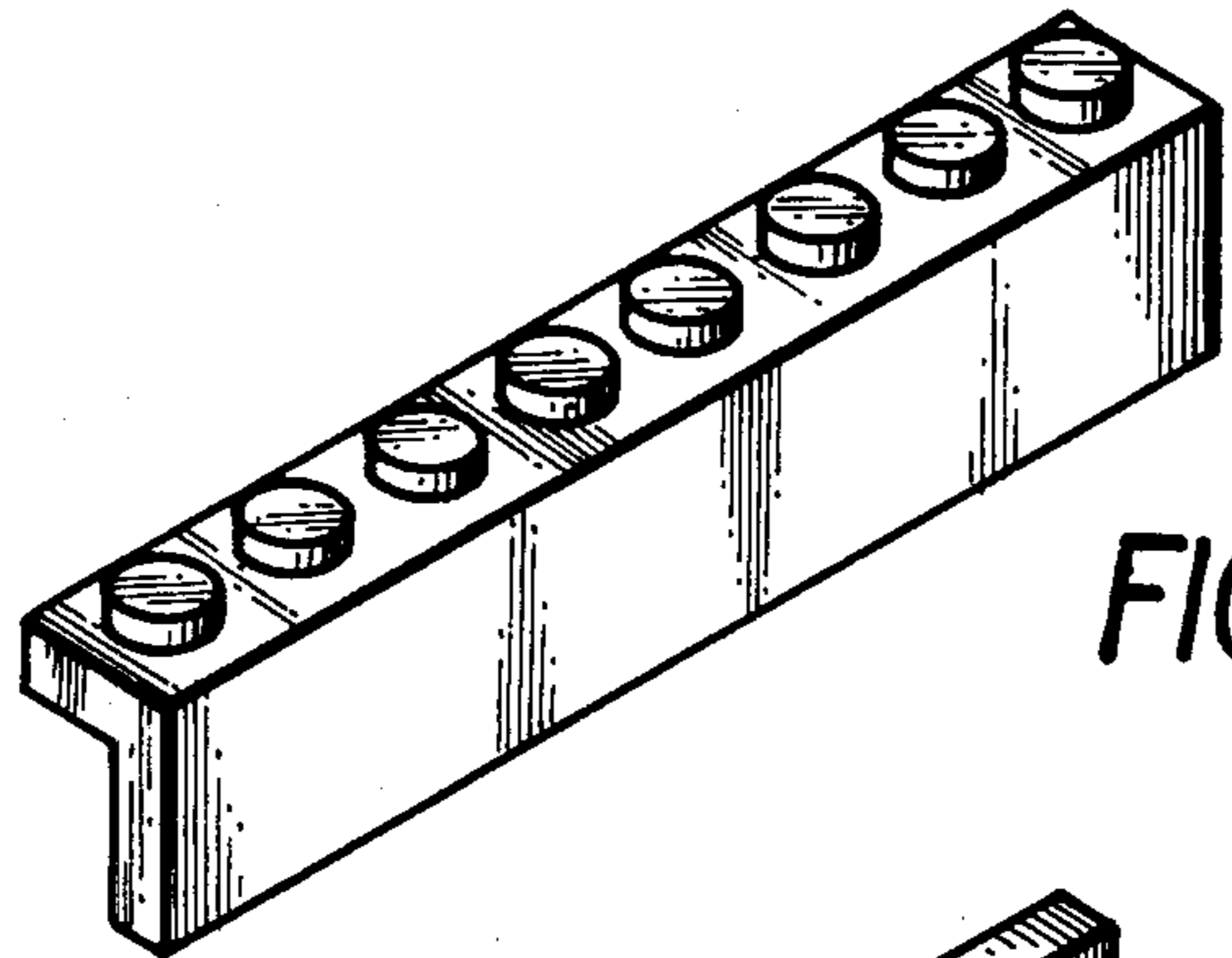


FIG. 1

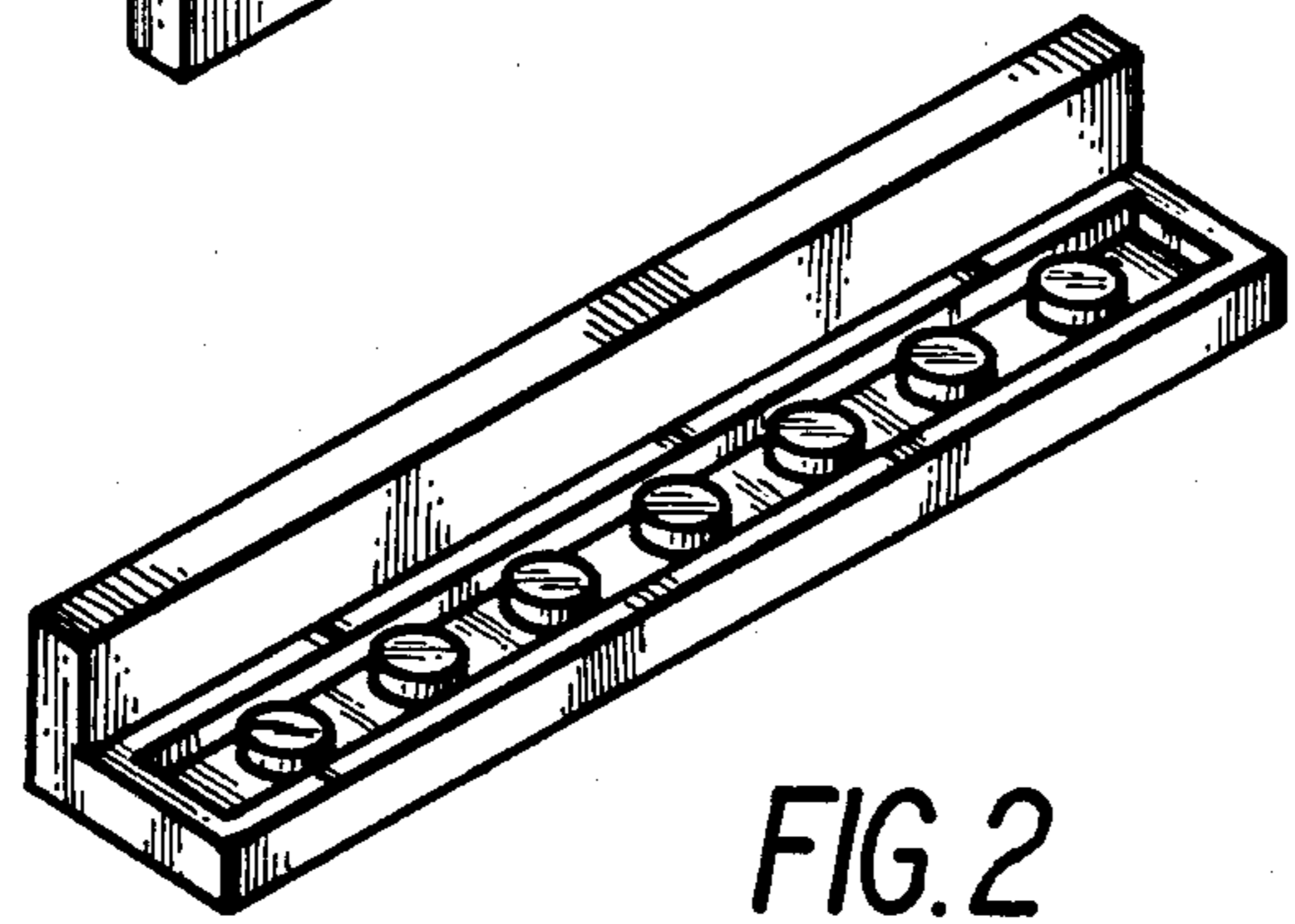


FIG. 2

