

[54] **WIRE PUZZLE**

[76] **Inventor:** Robert Wellington Heign, Rte. No. 3,  
Howe, Ind. 46746

[\*\*] **Term:** 14 Years

[21] **Appl. No.:** 633,664

[22] **Filed:** Nov. 20, 1975

[51] **Int. Cl.** ..... D21-01

[52] **U.S. Cl.** ..... D34/15 M

[58] **Field of Search** ..... D34/15 M; 273/153 R,  
273/153 P, 153 S, 155, 156, 157 R, 158, 159,  
160

[56] **References Cited**

**U.S. PATENT DOCUMENTS**

1,187,602	6/1916	Blalock .....	273/158
1,207,996	12/1916	Perricone .....	273/158
3,441,282	4/1969	Lewis .....	273/158

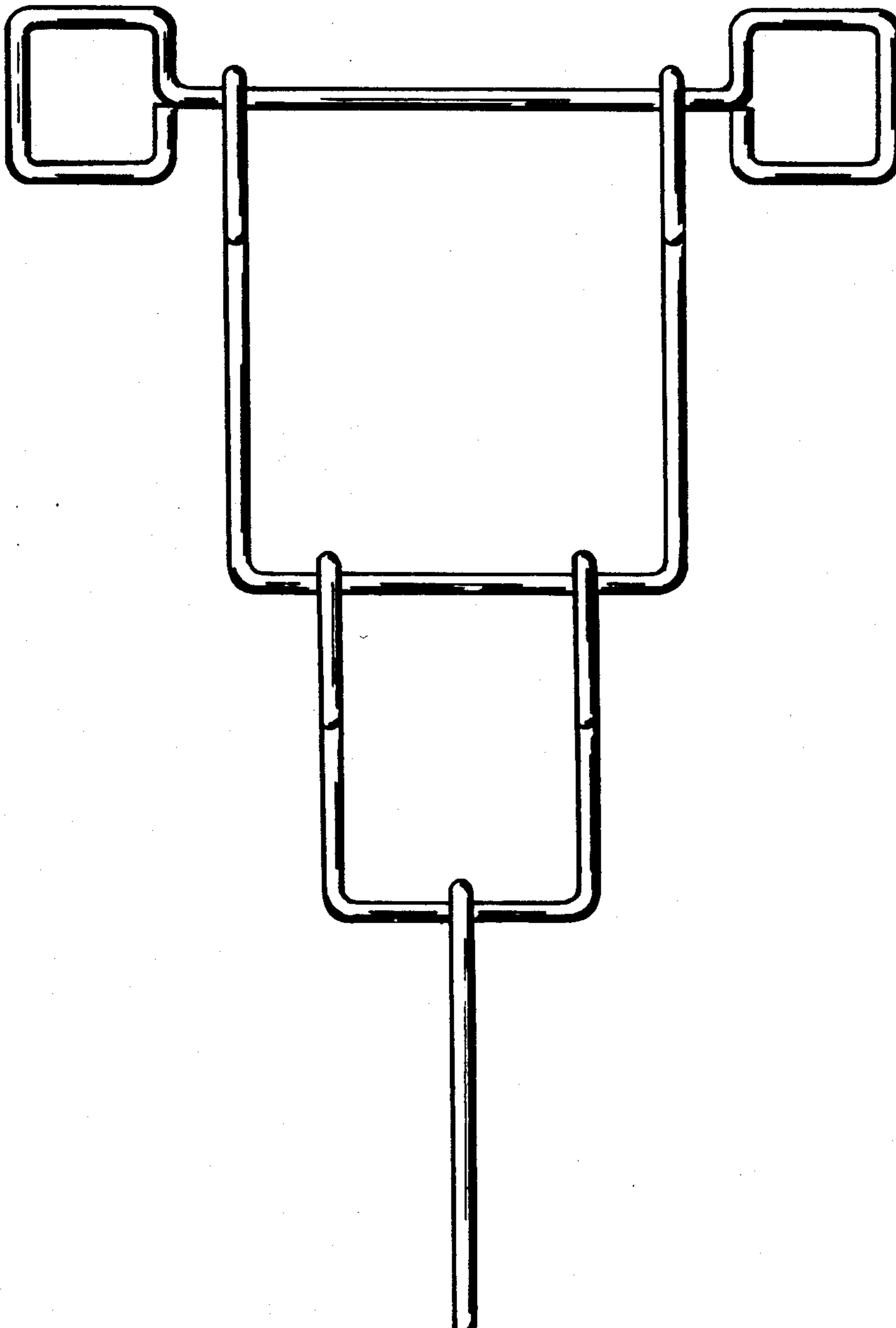
*Primary Examiner*—Joel Stearman  
*Assistant Examiner*—C. A. Rademaker  
*Attorney, Agent, or Firm*—Leo H. McCormick, Jr.

[57] **CLAIM**

The ornamental design for a wire puzzle, as shown and described.

**DESCRIPTION**

FIG. 1 is a front elevational view of a wire puzzle showing my new design; and  
FIG. 2 is a side elevational view thereof.



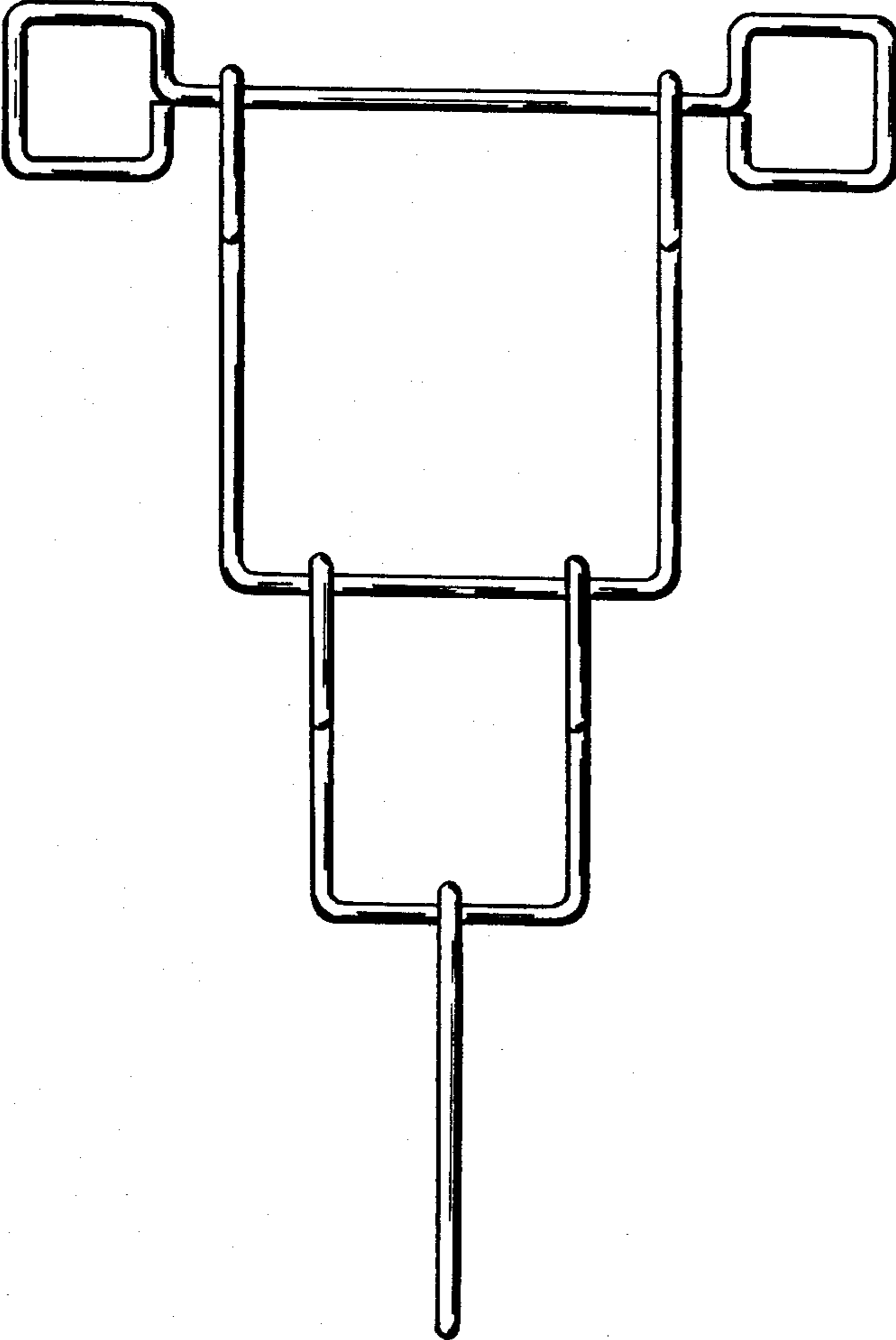


FIG. 1

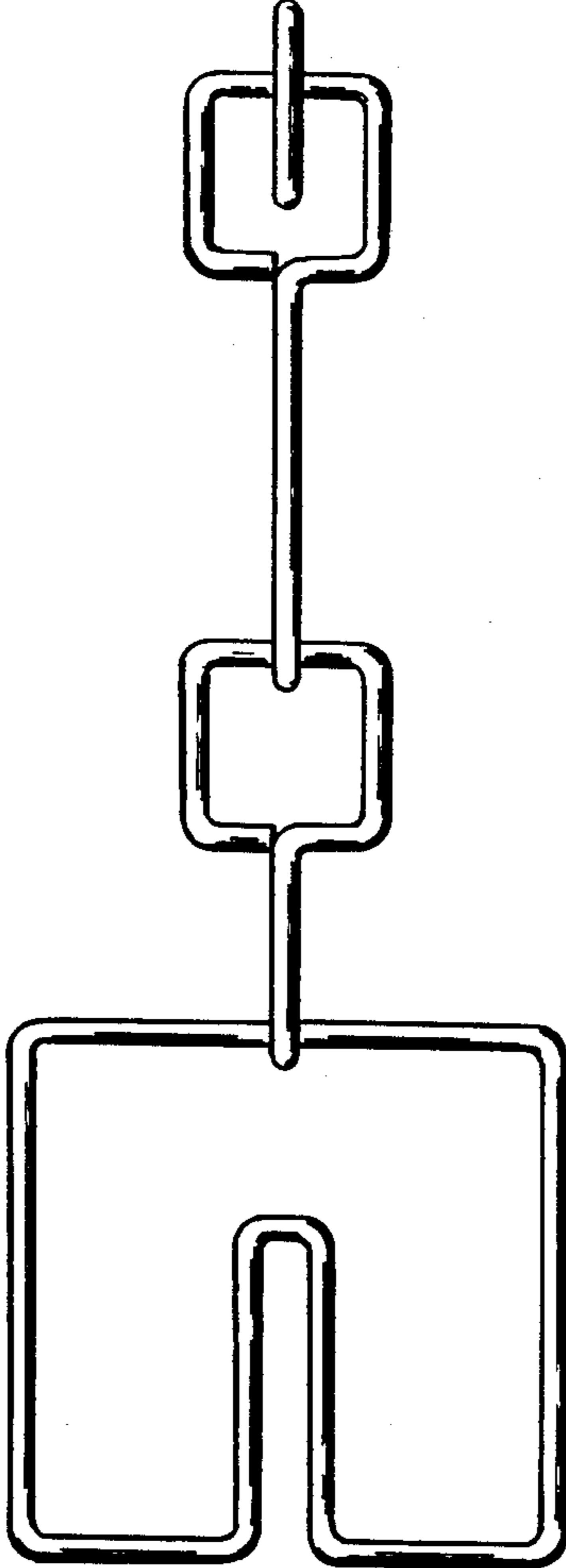


FIG. 2