

[54] HAIR DRYER AND HOLDER

[75] Inventors: Evan R. Kahn; Eugene B. Berman, both of N. Miami Beach, Fla.

[73] Assignee: Ming Dynasty, Inc., N. Miami Beach, Fla.

[\*\*] Term: 3½ Years

[21] Appl. No.: 667,152

[22] Filed: Mar. 15, 1976

[51] Int. Cl. .... D28-03

[52] U.S. Cl. .... D28/13

[58] Field of Search ..... D86/10 A, 10 F; 34/96-98, 101; 219/242; 132/7, 9; D26/14 A; D28/10, 12-18

[56] References Cited

U.S. PATENT DOCUMENTS

D. 238,213	12/1975	Kahn .....	D86/10 F
2,713,627	7/1955	Kamataris .....	34/97
3,599,345	8/1971	Tolmie .....	34/97

OTHER PUBLICATIONS

*Merchandising Week*, 7/15/1974, p. 69 - Turbo Dryer c-1300 top right.

*Industrial Design*, 12/1963, p. 57 - Wall Telephone Set at bottom left.

Primary Examiner—Joel Stearman

Assistant Examiner—Louis S. Zarfes

[57] CLAIM

The ornamental design for a combined hair dryer and holder, as shown and described.

DESCRIPTION

FIG. 1 is a top right perspective view of a combined hair dryer and holder, the cords being depicted discontinuously for ease of illustration; and

FIG. 2 is a top left perspective view with the dryer disengaged; and

FIG. 3 is a right side elevational view with the dryer disengaged; and

FIG. 4 is a bottom plan view thereof.

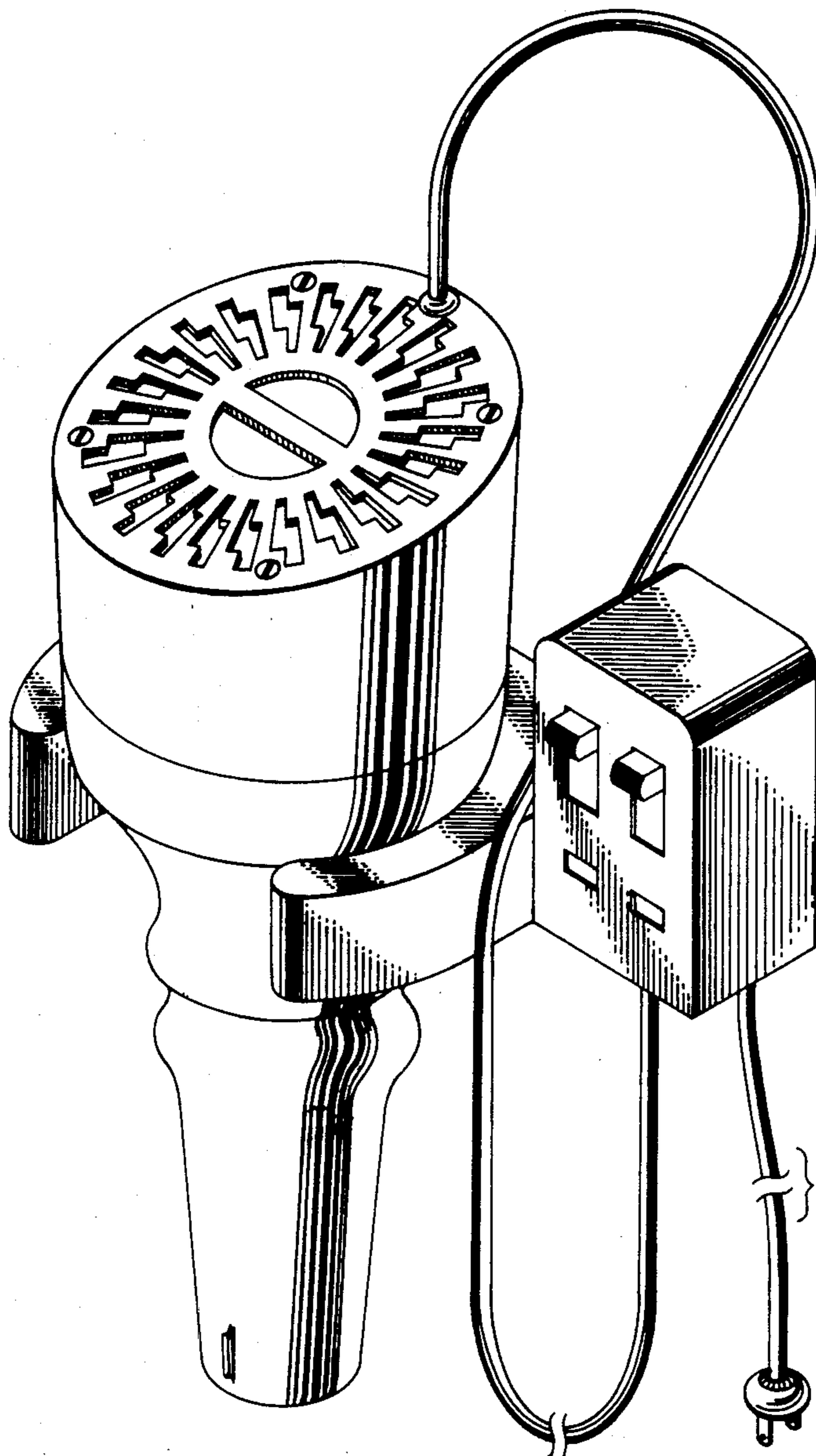


FIG. 1

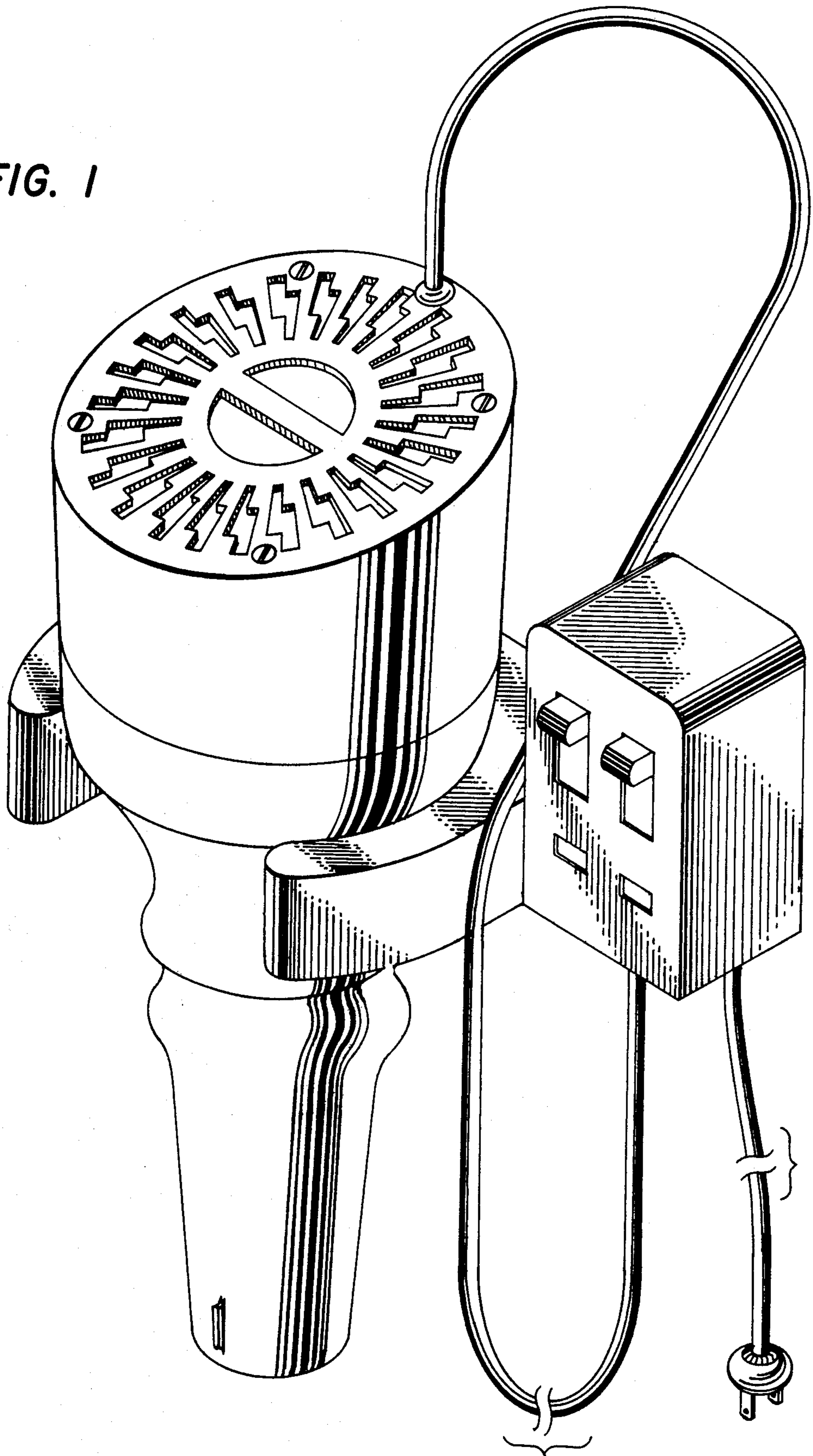
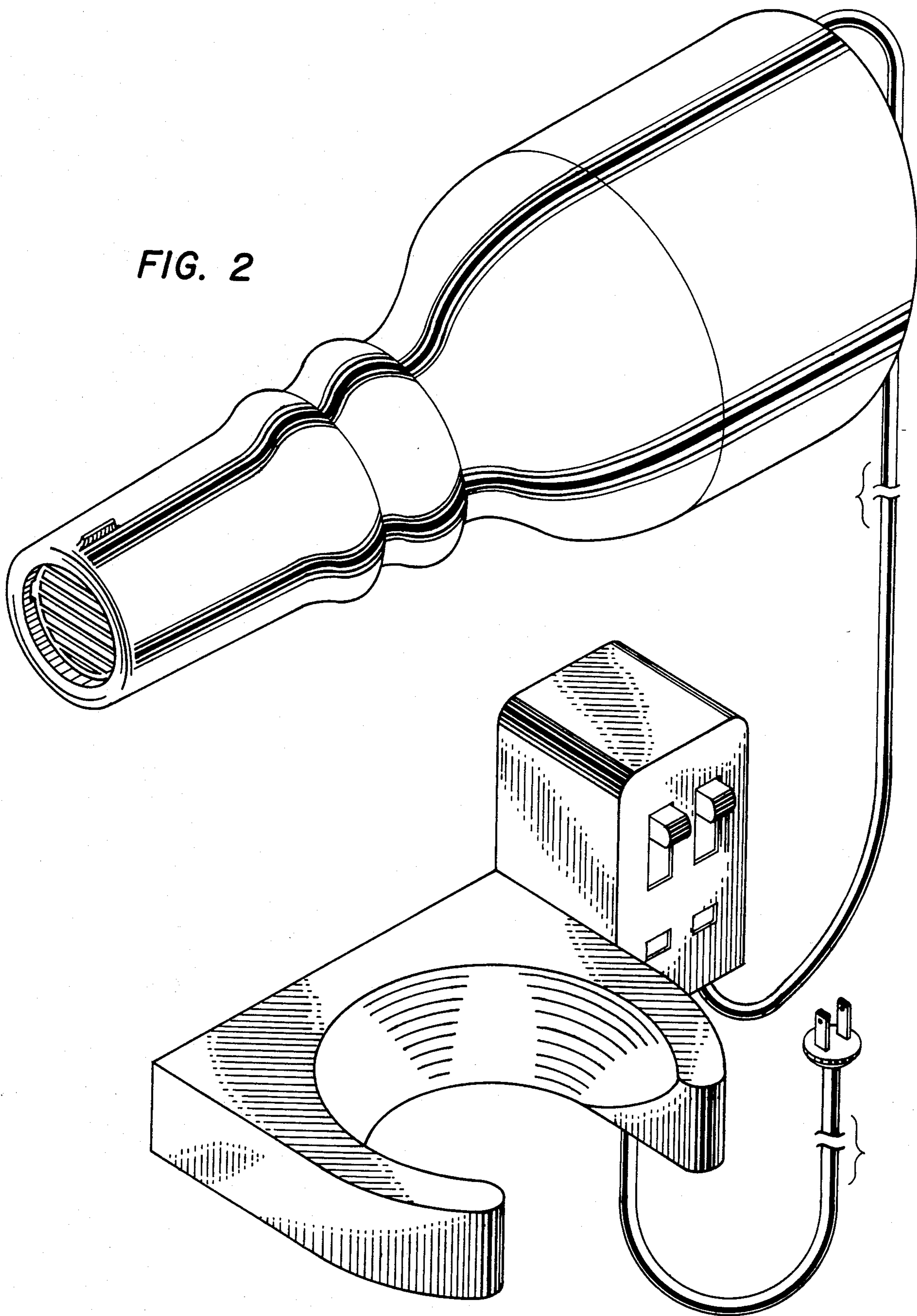


FIG. 2



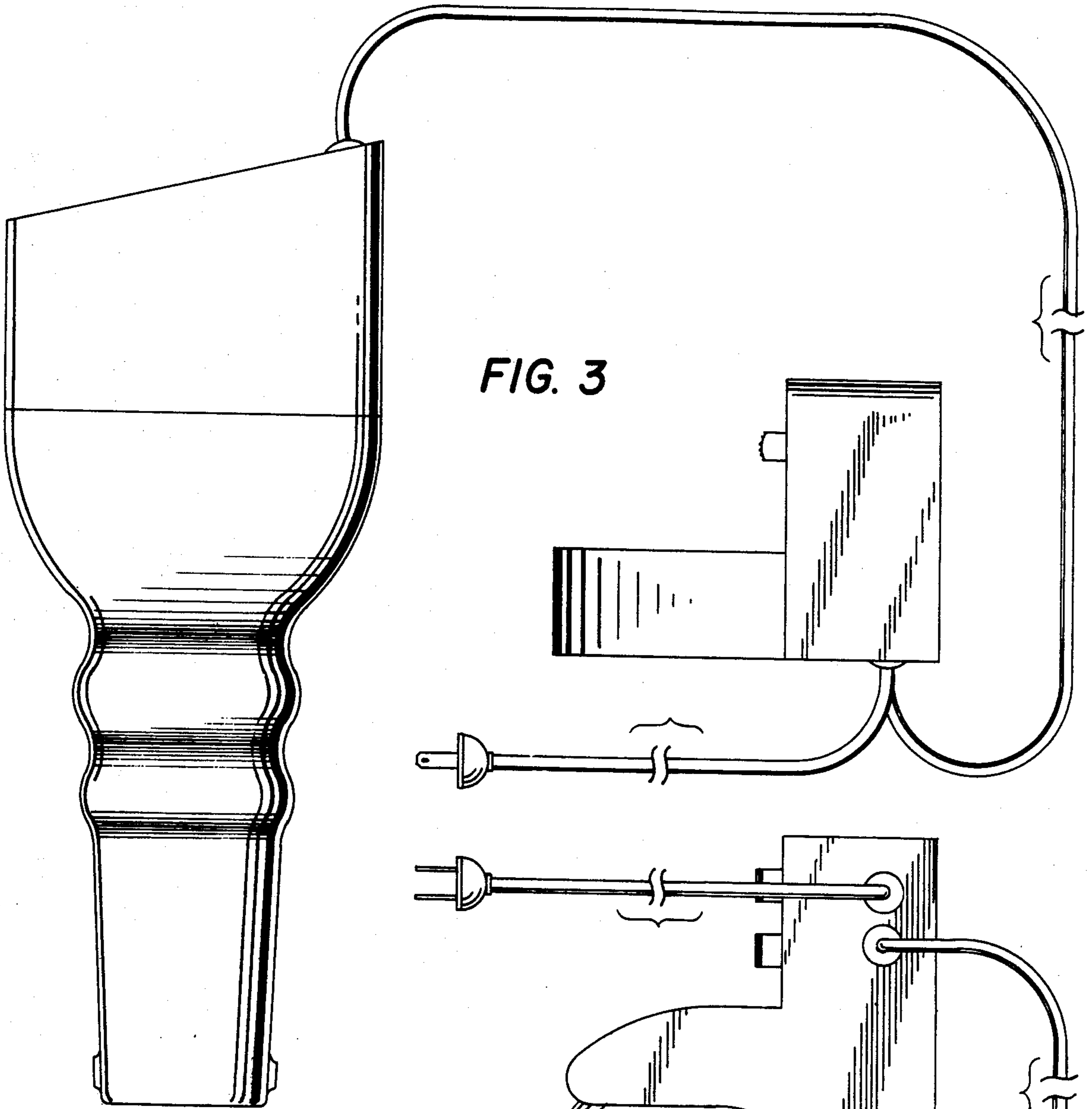


FIG. 3

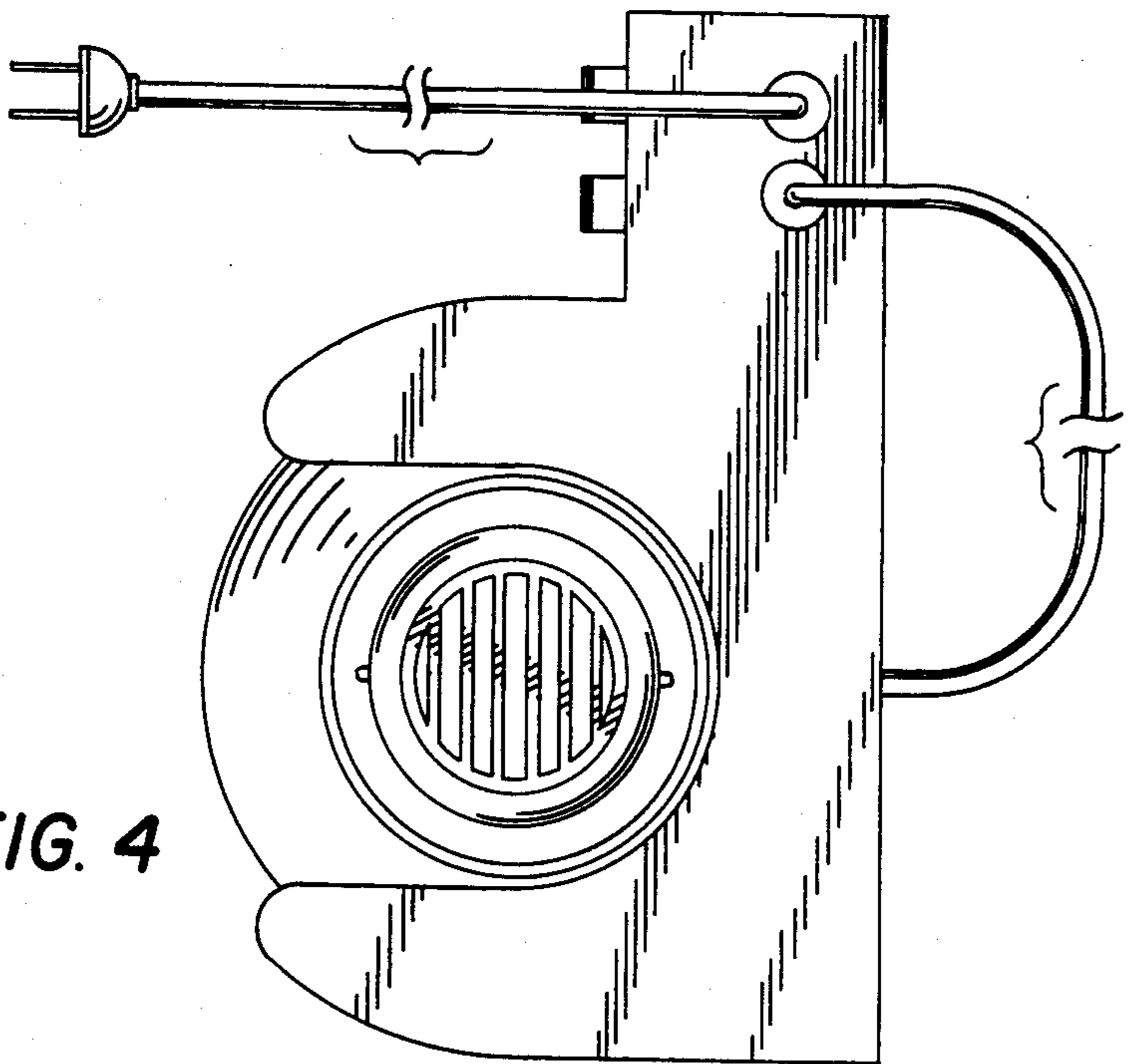


FIG. 4