

[54] CONSTANT FLOW SELECTOR VALVE

[75] Inventor: Dean R. Dennis, Cypress, Calif.

[73] Assignee: Robertshaw Controls Co.

[**] Term: 14 Years

[21] Appl. No.: 655,605

[22] Filed: Feb. 5, 1976

[51] Int. Cl. D23-01

[52] U.S. Cl. D23/21

[58] Field of Search D23/19-39;
251/206, 207, 208; 137/625.3, 625.31

[56] References Cited

U.S. PATENT DOCUMENTS

D. 136,369	9/1943	Kuppersmith	D23/21
D. 154,427	7/1949	Peterson	D23/19
D. 172,372	6/1954	Wagner	D23/20
D. 177,198	3/1956	Terrg et al.	D23/19

D. 207,766	5/1967	Keane	D23/19
D. 218,306	8/1970	Kreis et al.	D23/19
2,361,655	10/1944	Robinson	137/625.3
2,968,474	1/1961	Eichelman et al.	251/208 X
3,949,966	4/1976	Fabish	251/206

Primary Examiner—James R. Largen
Attorney, Agent, or Firm—Auzville Jackson, Jr.

[57] CLAIM

The ornamental design of a constant flow selector valve, substantially as shown and described.

DESCRIPTION

FIG. 1 is a top plan view of a constant flow selector valve embodying my new design;
FIG. 2 is a bottom plan view thereof;
FIG. 3 is a front elevational view thereof;
FIG. 4 is a left side elevational view thereof;
FIG. 5 is a front perspective view thereof;
FIG. 6 is a rear elevational view thereof; and
FIG. 7 is a right side elevational view thereof.

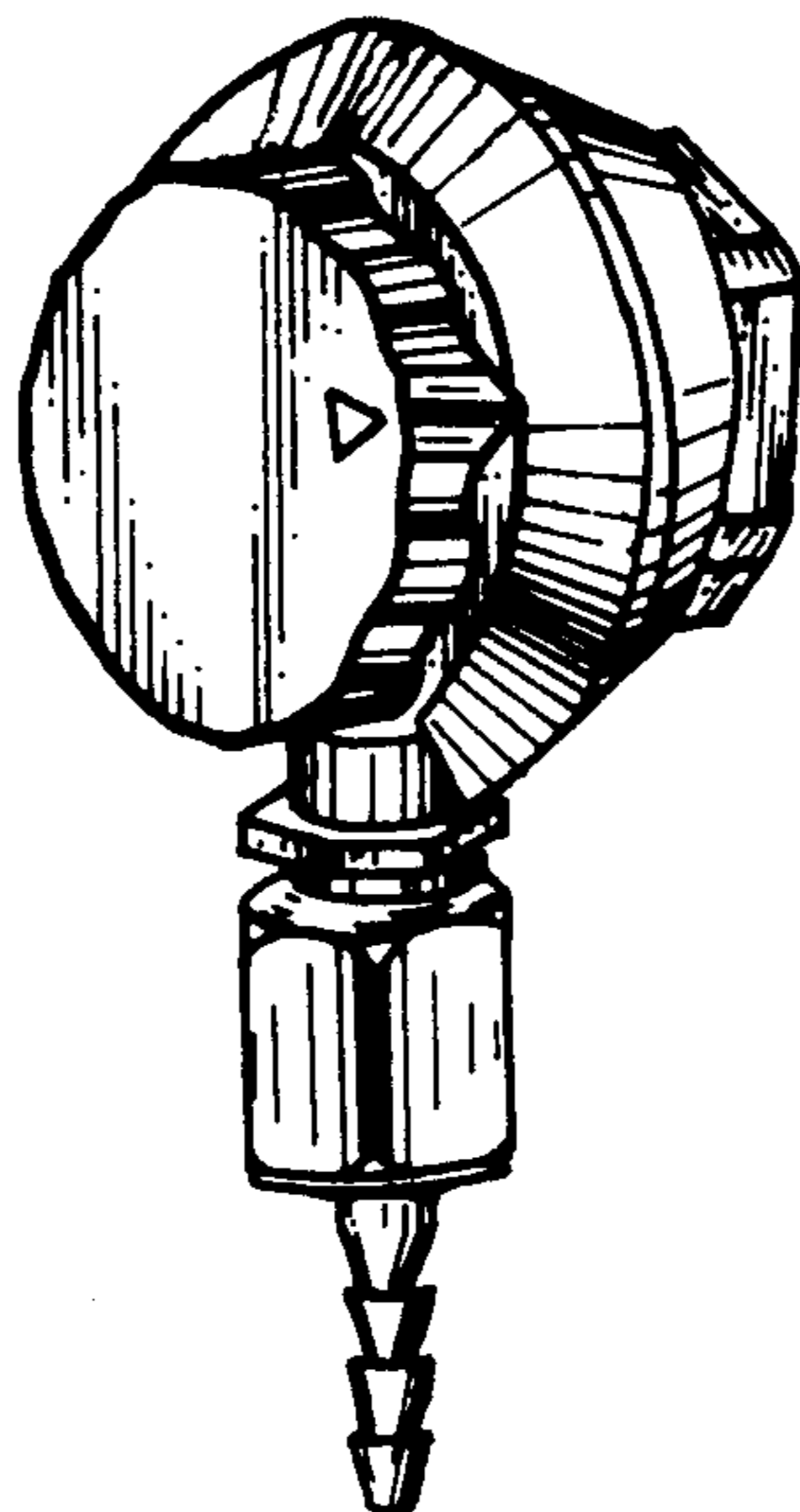


FIG. 1

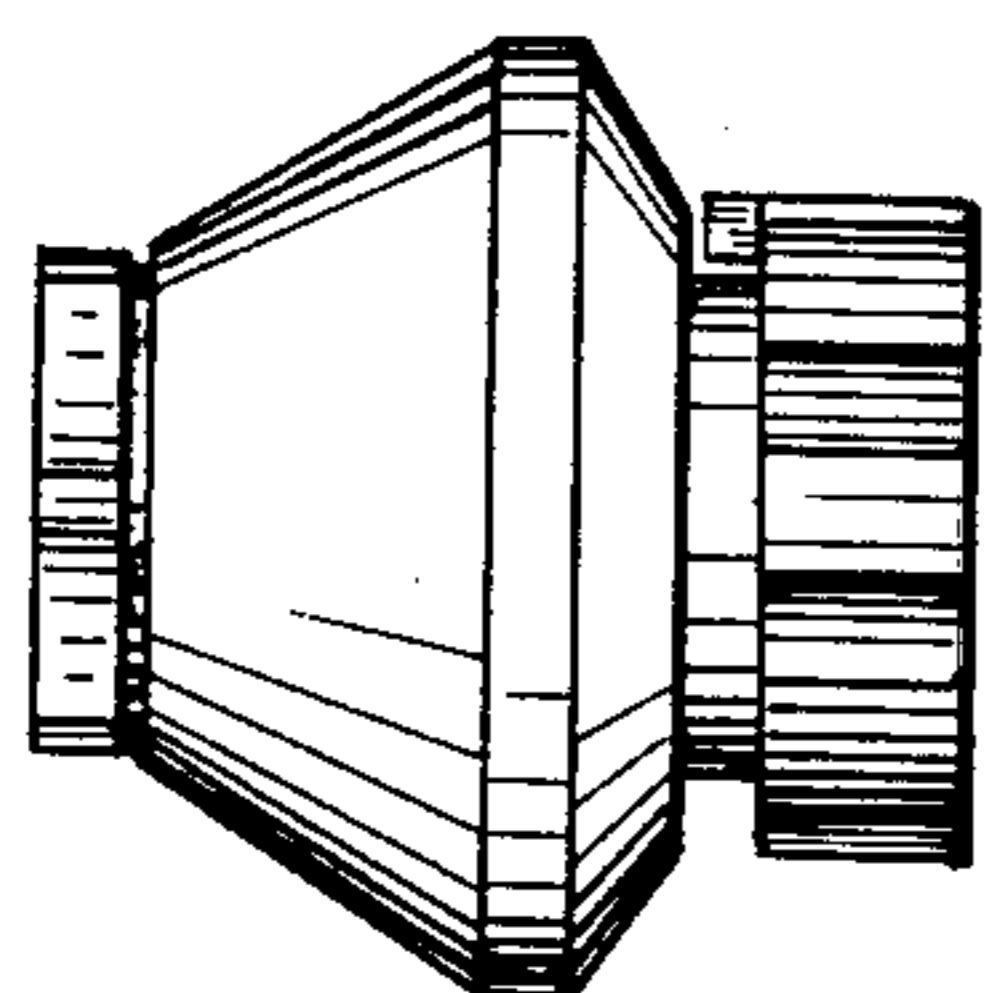


FIG. 2

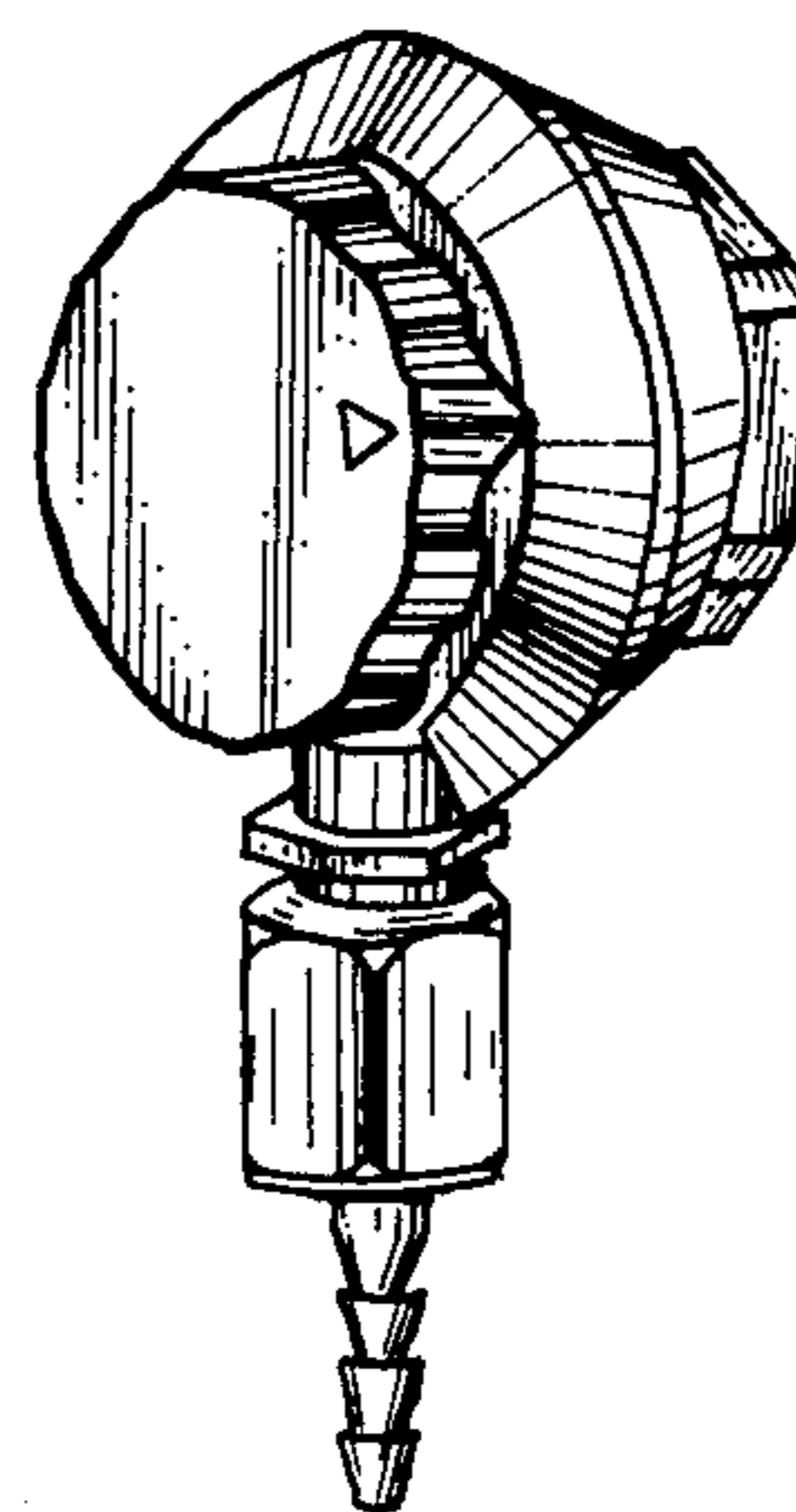
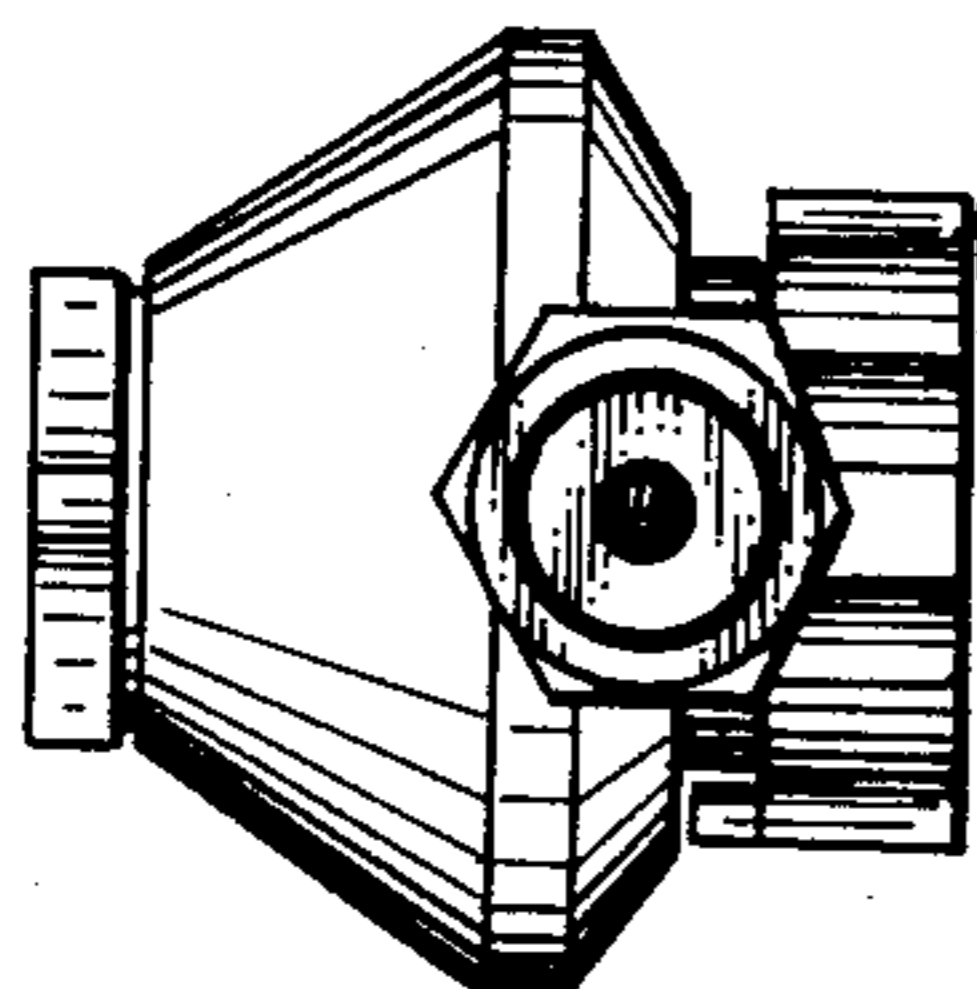


FIG. 5

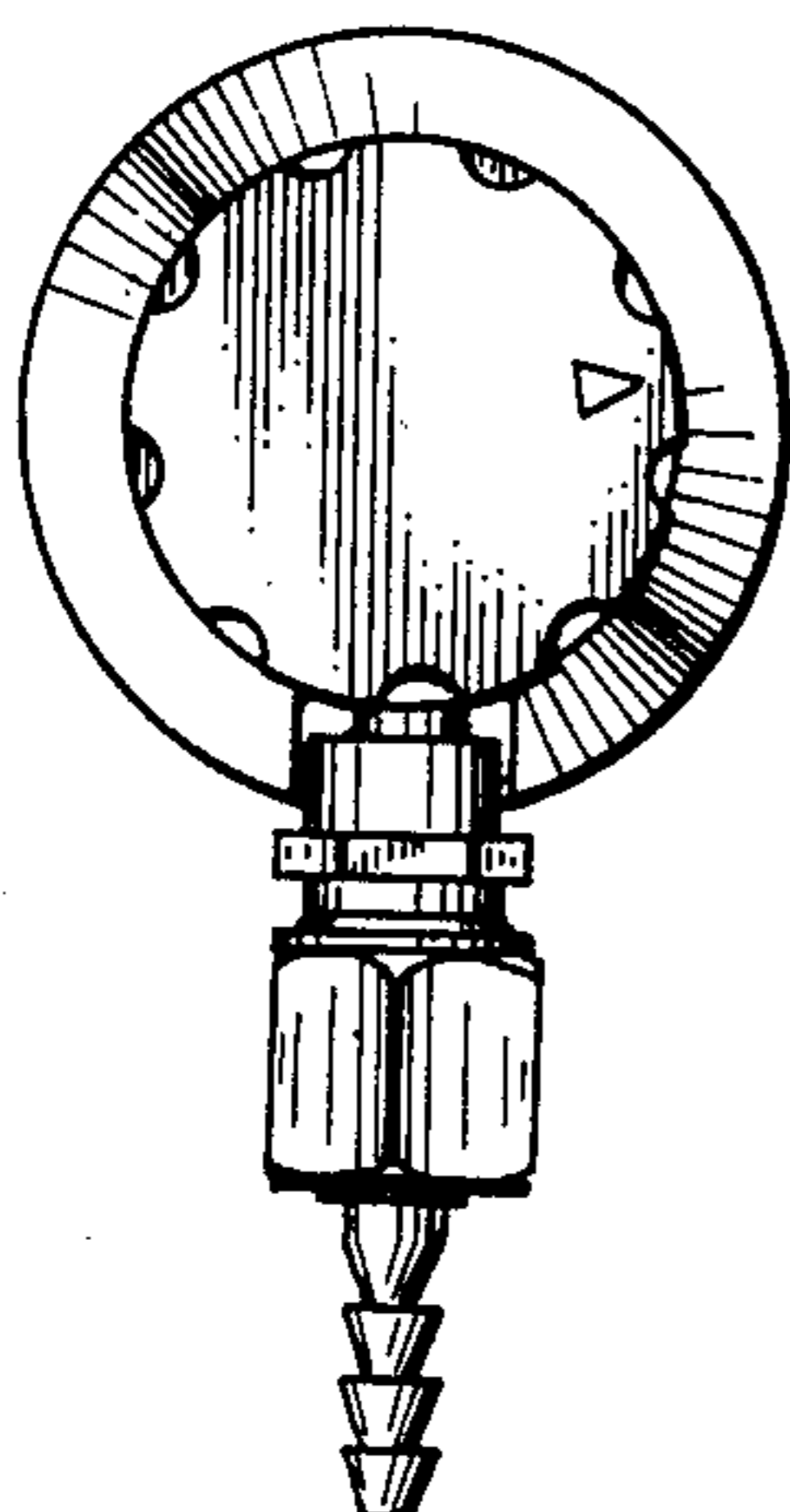


FIG. 3

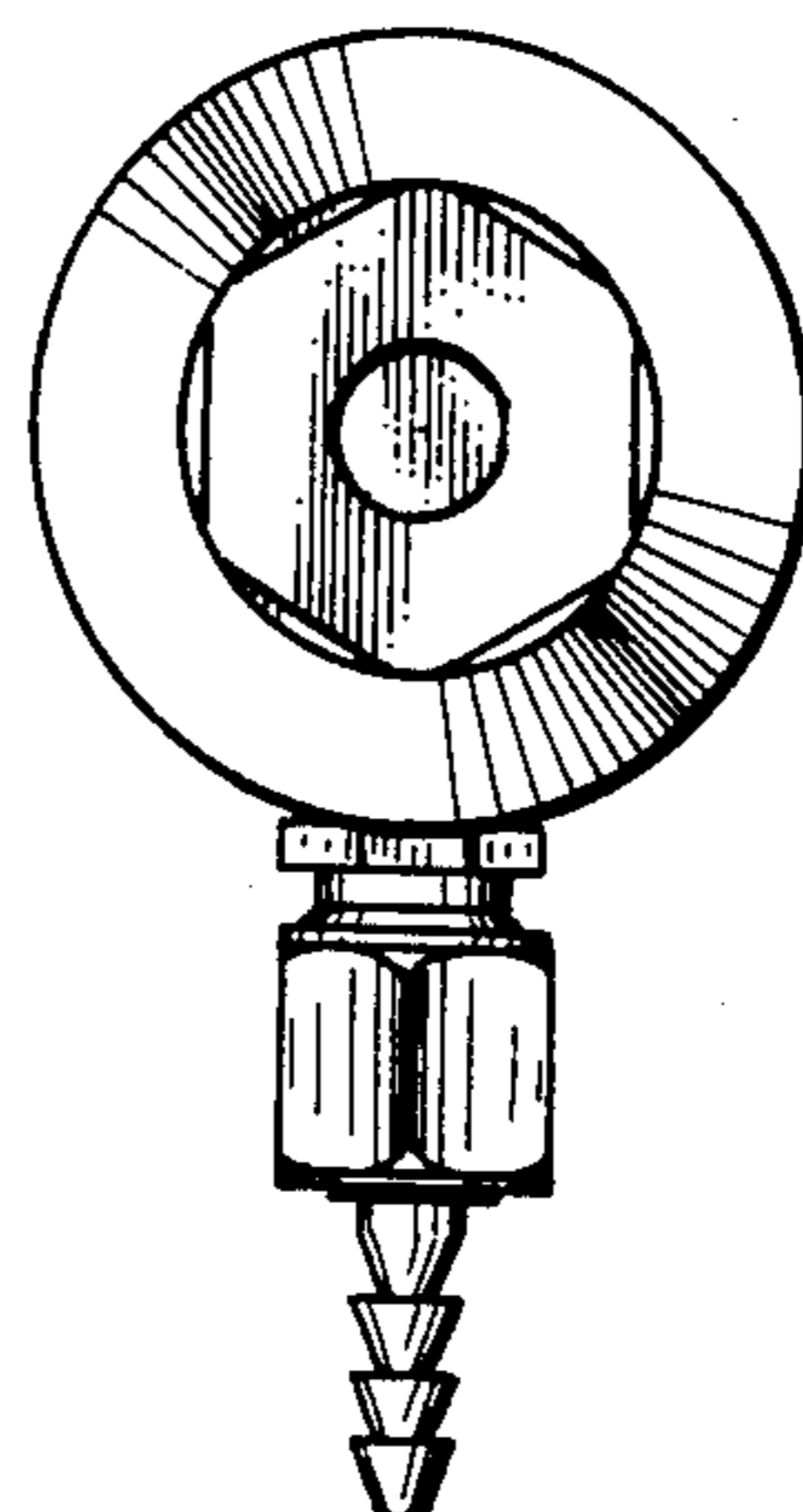


FIG. 6

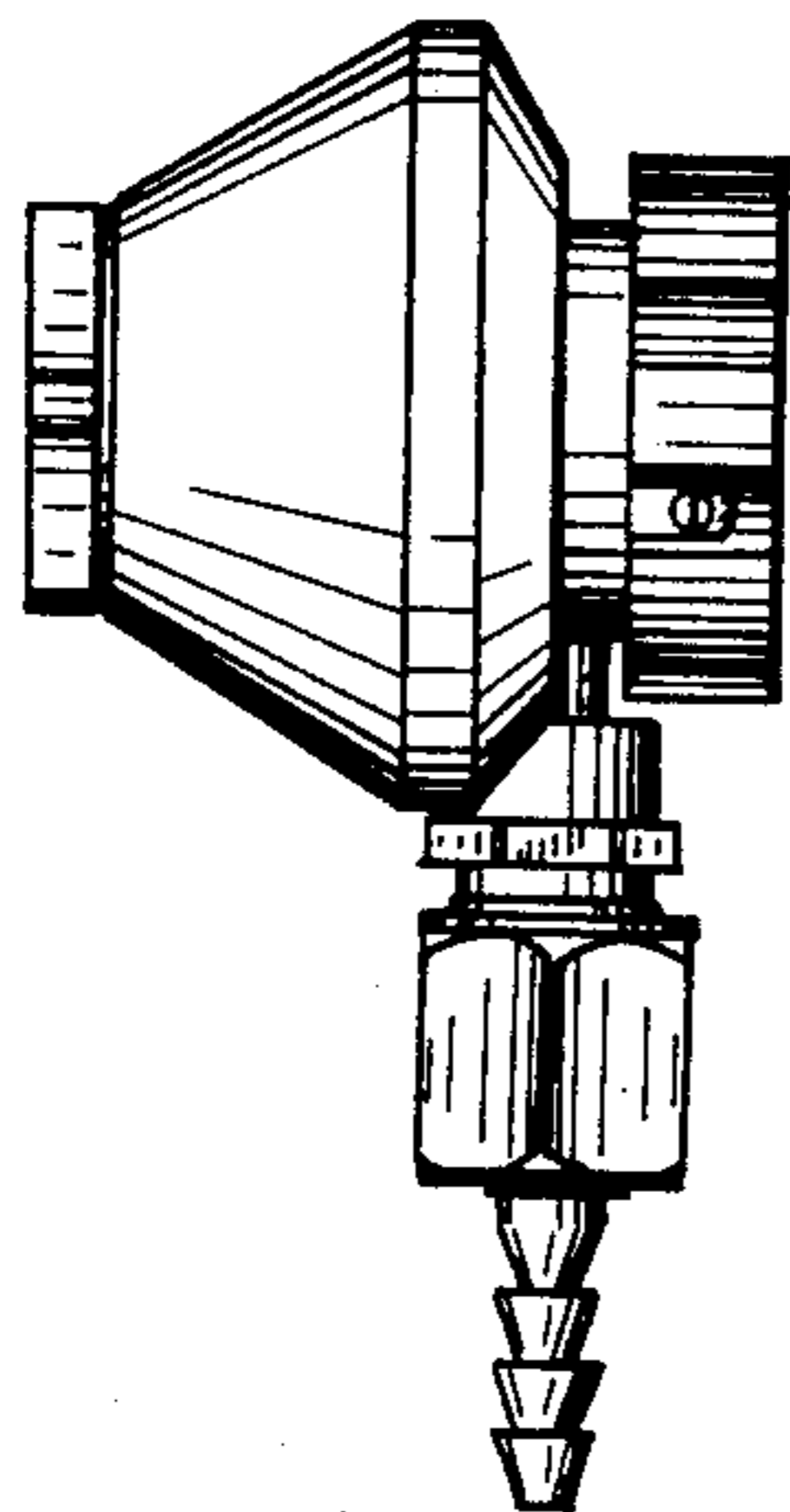


FIG. 4

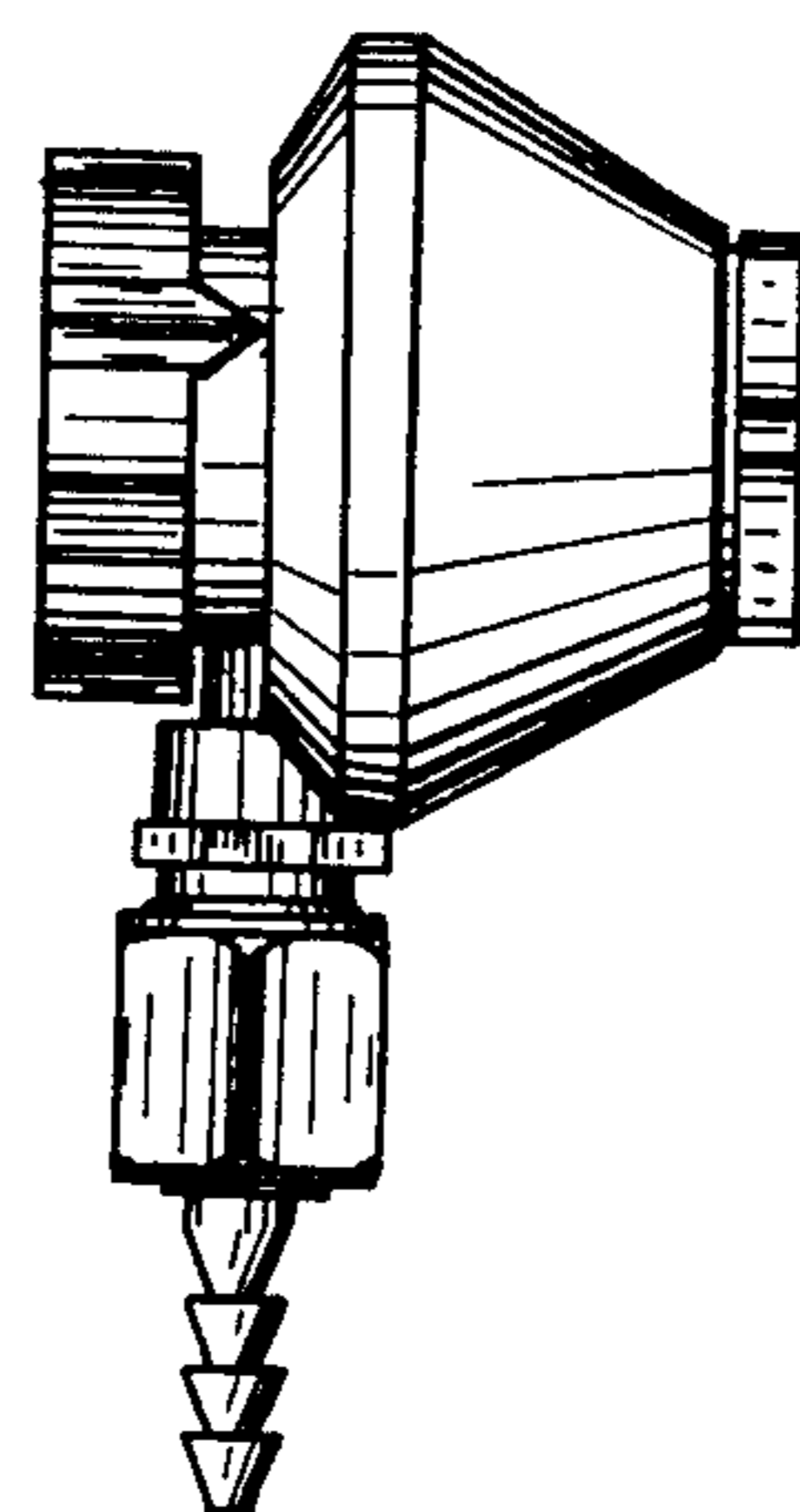


FIG. 7