

[54] PAPER DISPENSER

[76] Inventor: Norbert Leopoldi, 4180 Marine Drive, Chicago, Ill. 60611

[\*\*] Term: 14 Years

[21] Appl. No.: 644,556

[22] Filed: Dec. 29, 1975

[51] Int. Cl. .... D19-02

[52] U.S. Cl. .... D19/92

[58] Field of Search ..... D19/76, 78, 86, 87, D19/67, 68, 92, 72; 221/259, 210

[56] References Cited

U.S. PATENT DOCUMENTS

- D. 179,276 11/1956 Abrahamson ..... D19/92
- D. 191,022 8/1961 Mackrell ..... D19/86

- 3,133,672 5/1964 Tomasma et al. .... 221/259
- 3,756,453 9/1973 Griffioen et al. .... 221/259

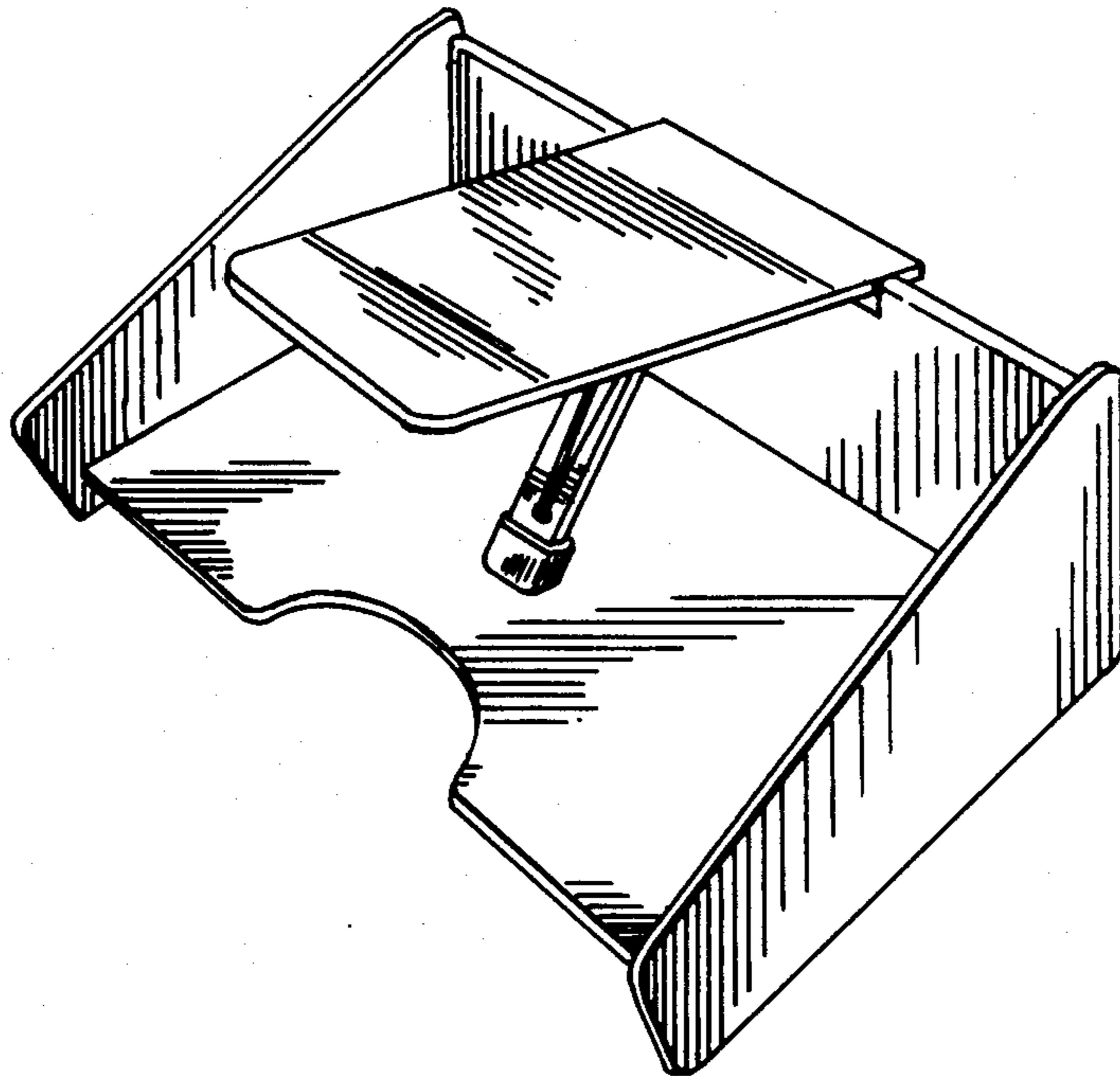
Primary Examiner—Joel Stearman  
Assistant Examiner—George P. Word  
Attorney, Agent, or Firm—Robert C. Brown, Jr.

[57] CLAIM

The ornamental design for a paper dispenser, as shown and described.

DESCRIPTION

FIG. 1 is a perspective view of a paper dispenser showing my new design;  
FIG. 2 is a top plan view;  
FIG. 3 is a front elevational view;  
FIG. 4 is a right side elevational view, the opposite side view being a mirror image thereof;  
FIG. 5 is a bottom plan view; and  
FIG. 6 is a rear elevational view.



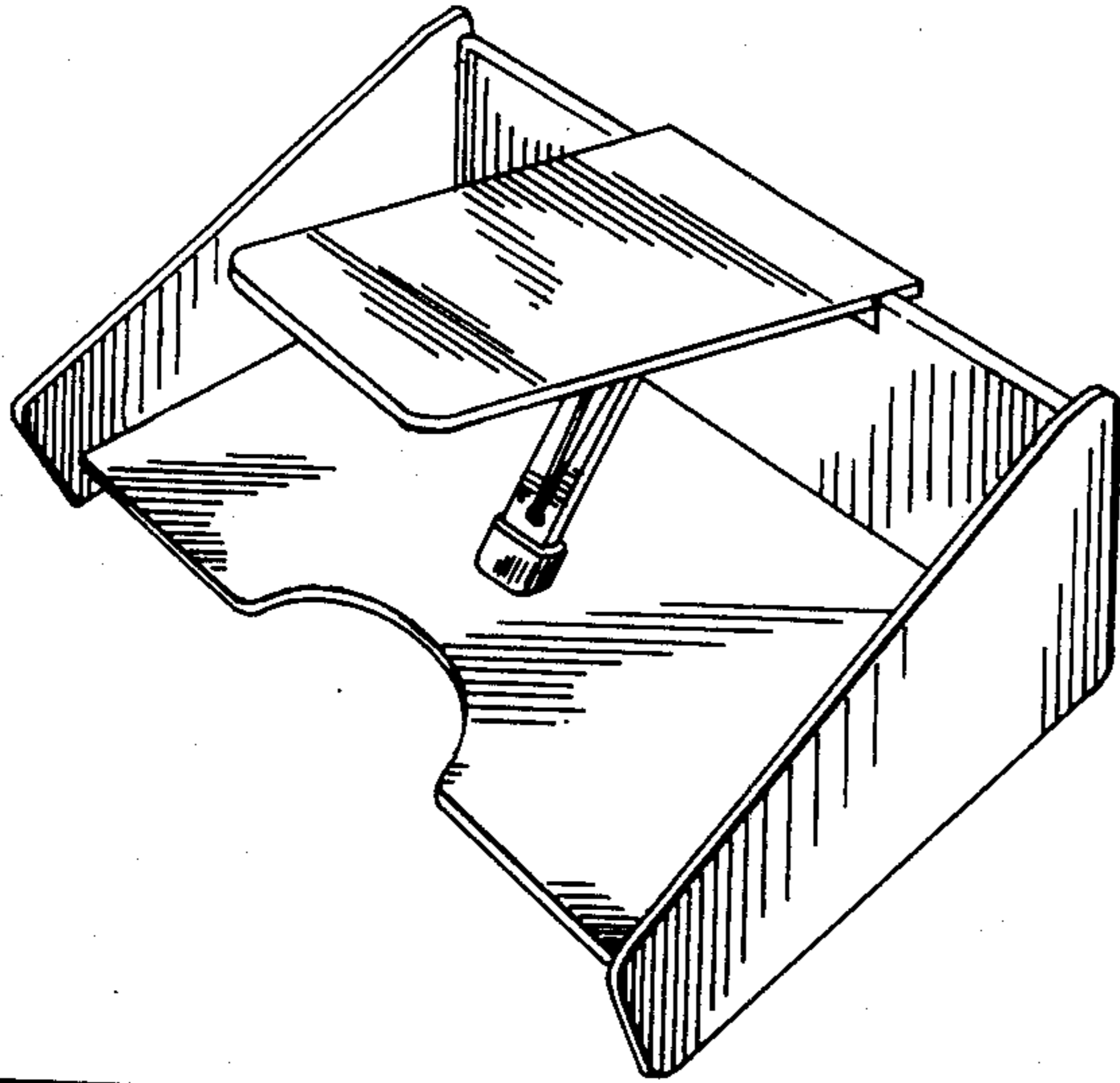


FIG. 1.

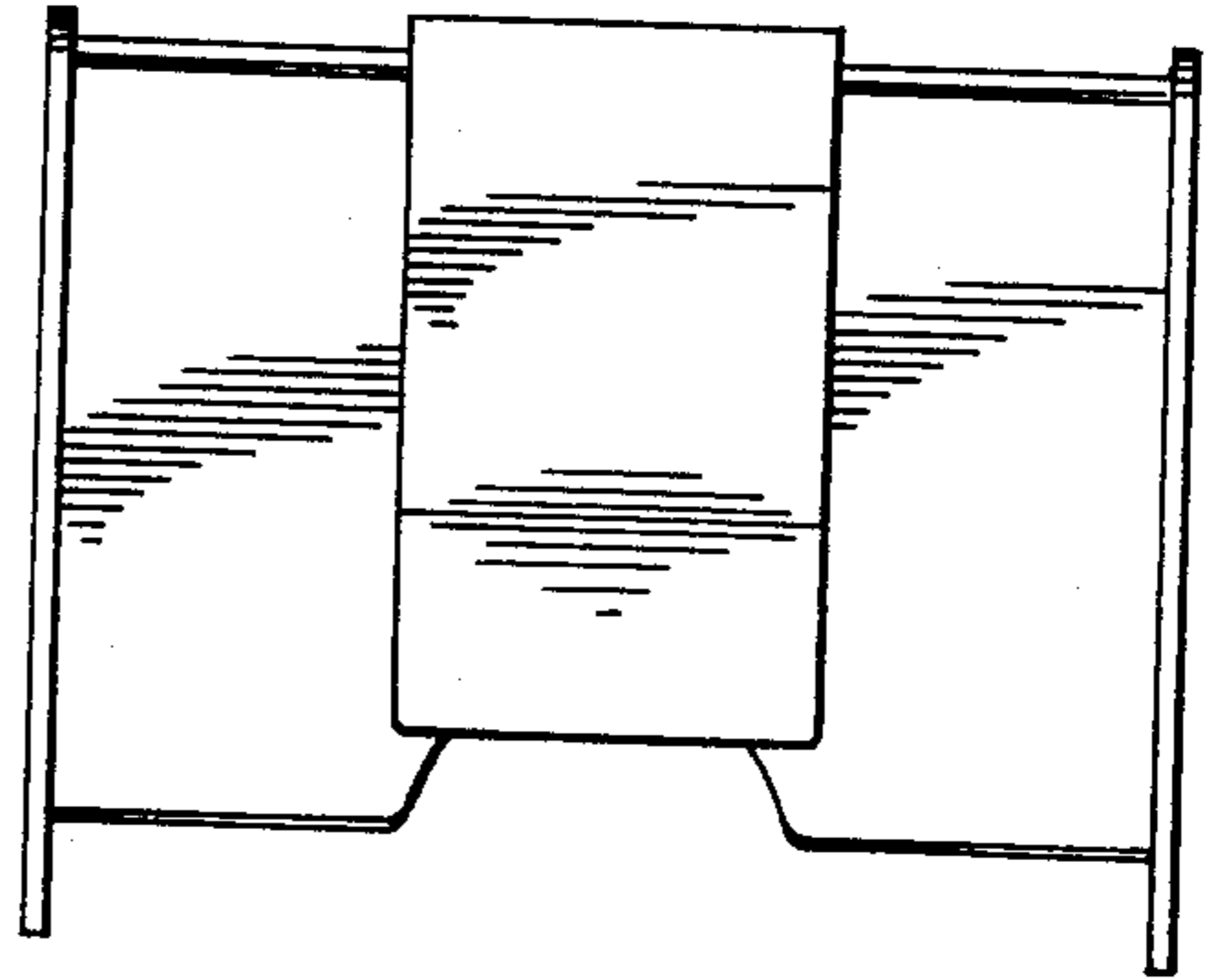


FIG. 2.

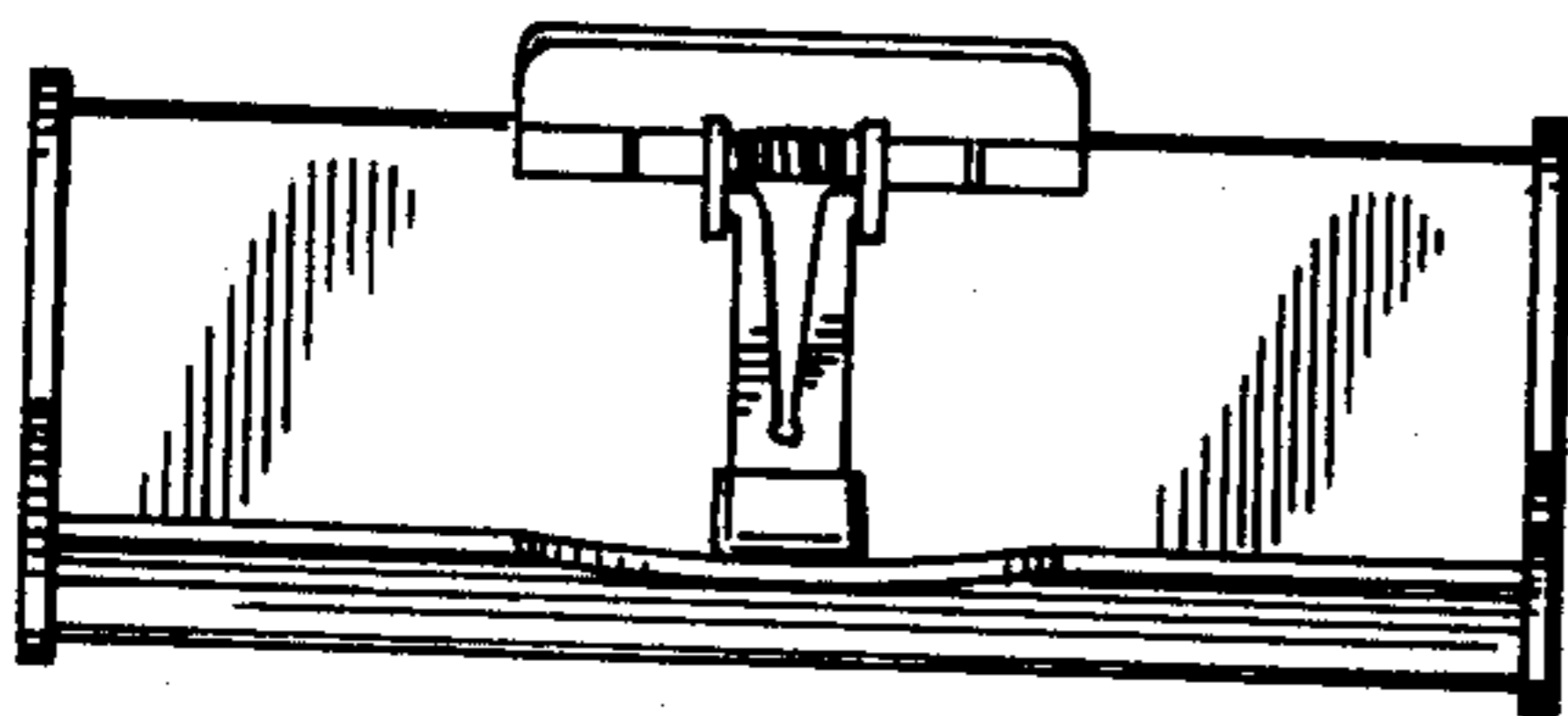


FIG. 3.

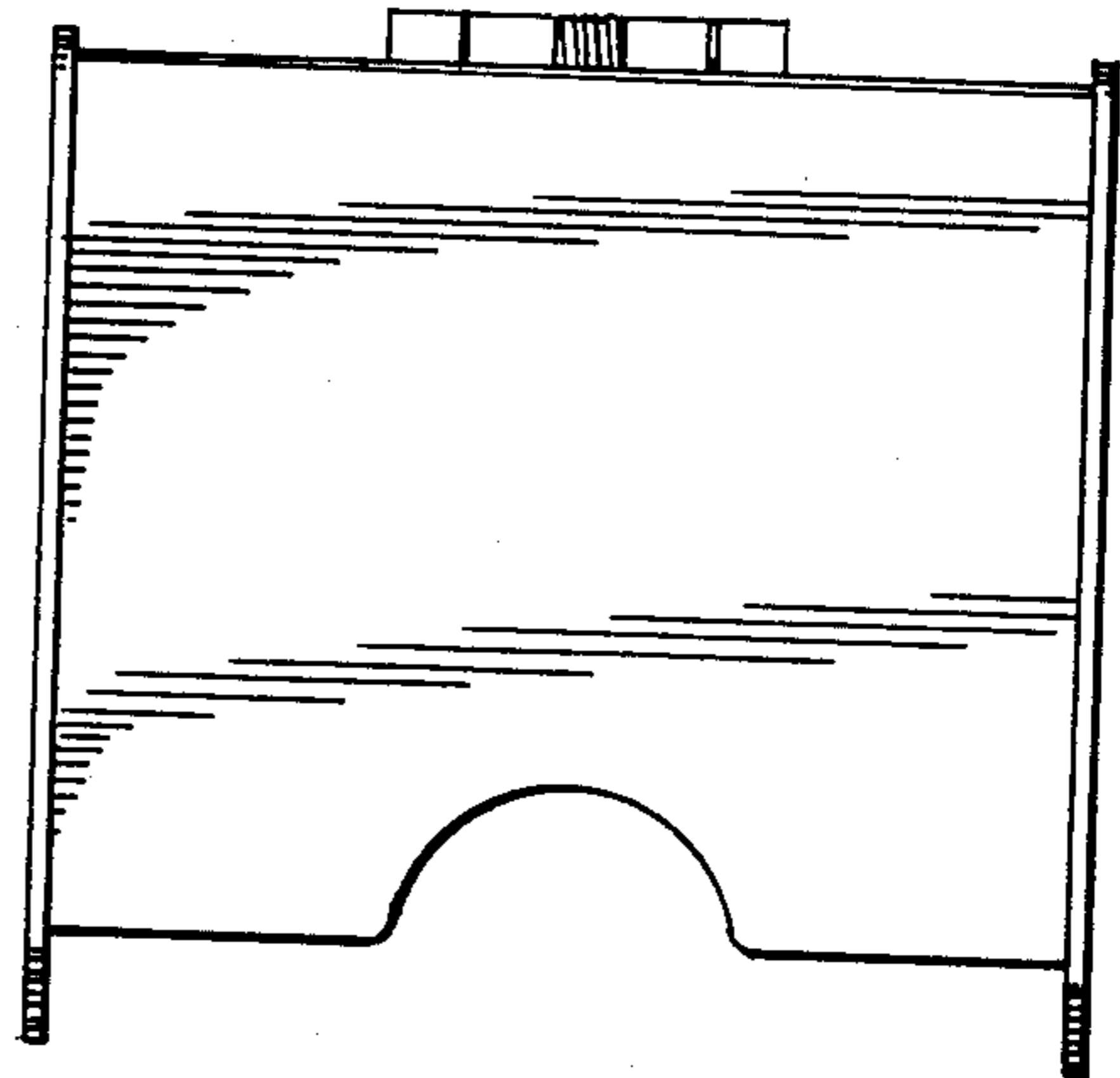


FIG. 5.

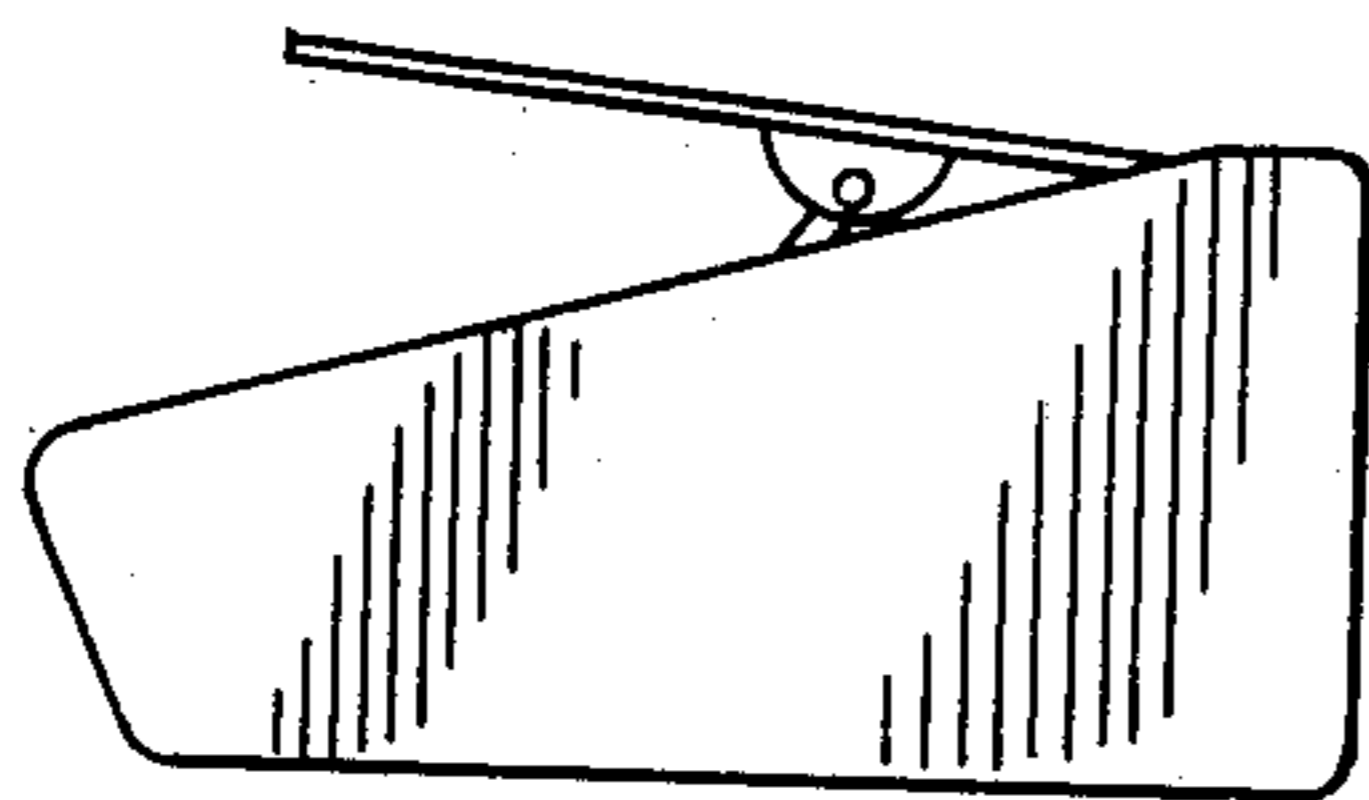


FIG. 4.

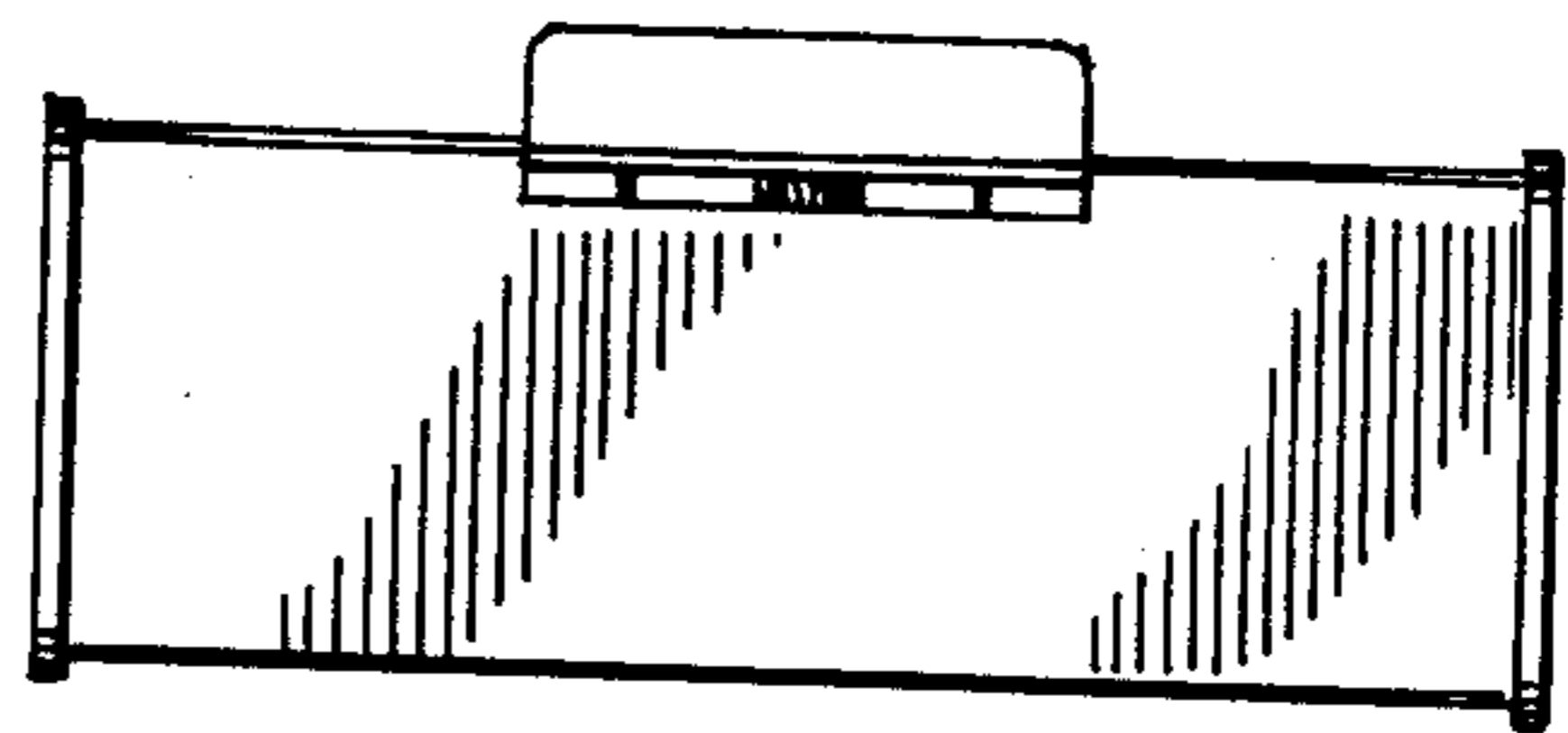


FIG. 6.