

[54] FRYING PAN OR THE LIKE

[75] Inventor: Theodore R. Finke, Euclid, Ohio

[73] Assignee: The Euclid Products Co., Inc., Willoughby, Ohio

[**] Term: 14 Years

[21] Appl. No.: 688,162

[22] Filed: May 20, 1976

[51] Int. Cl. D7-02

[52] U.S. Cl. D7/95

[58] Field of Search D7/85, 86, 87, 88, 89, D7/91, 92, 94, 95, 96, 97, 41, 136; 99/372, 374, 426, 380; 219/524, 525

[56] References Cited

U.S. PATENT DOCUMENTS

- D. 110,117 6/1938 Weis D7/95
- D. 139,416 11/1944 Ekonomon D7/95 X
- D. 215,467 9/1969 Salkoff D7/95

OTHER PUBLICATIONS

Melco Food Service Products, rec'd. 12/26/73, Tomlinson Industries, Inc., p. 17, Item No. K-Square Fry Pan.

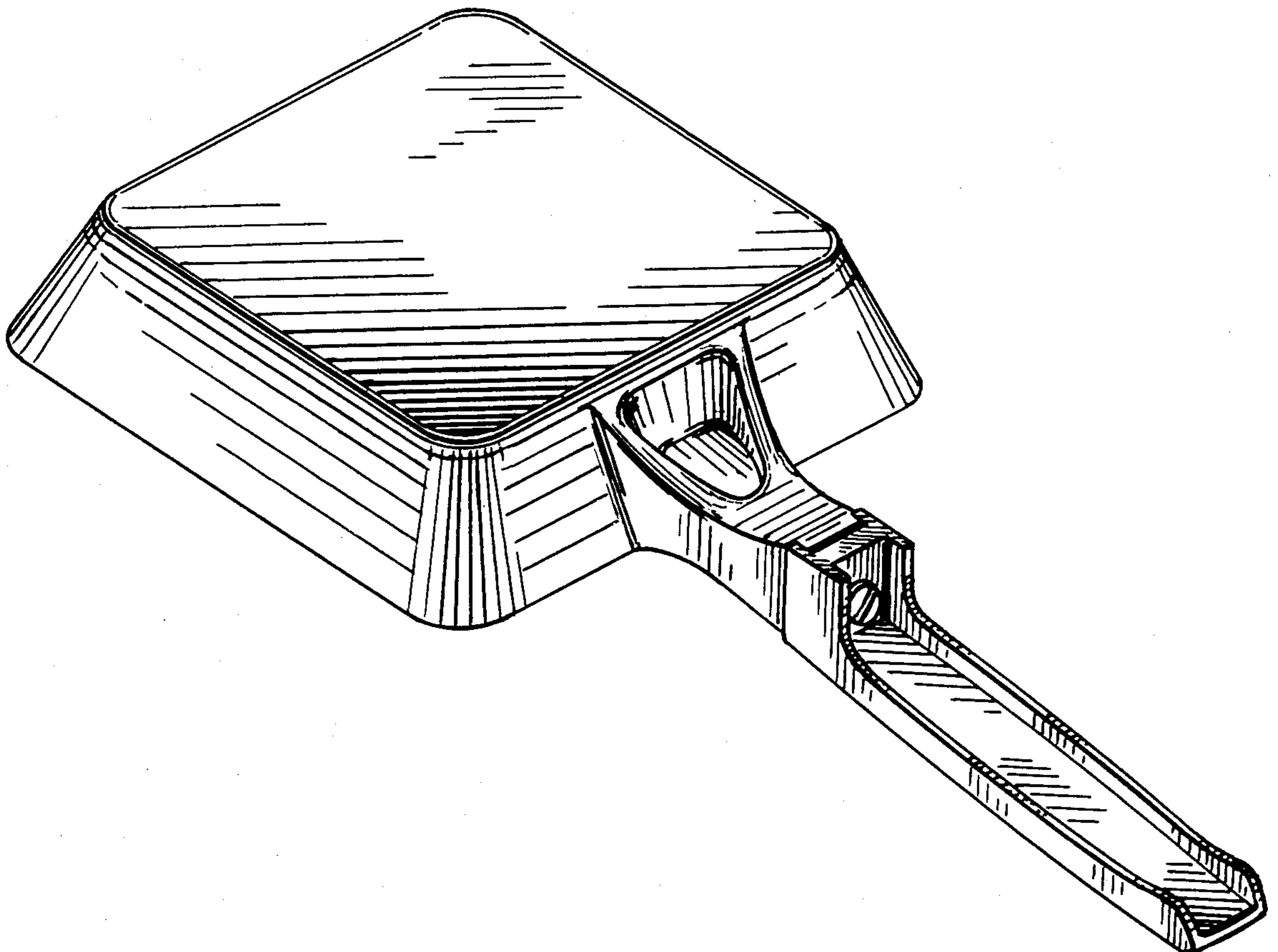
Primary Examiner—Winifred E. Herrmann
Attorney, Agent, or Firm—Fred J. Samerdyke

[57] CLAIM

The ornamental design for a frying pan or the like, substantially as shown and described.

DESCRIPTION

FIG. 1 is a top front perspective view of a frying pan showing my new design; FIG. 2 is a bottom rear perspective view thereof; and FIG. 3 is a side elevational view thereof.



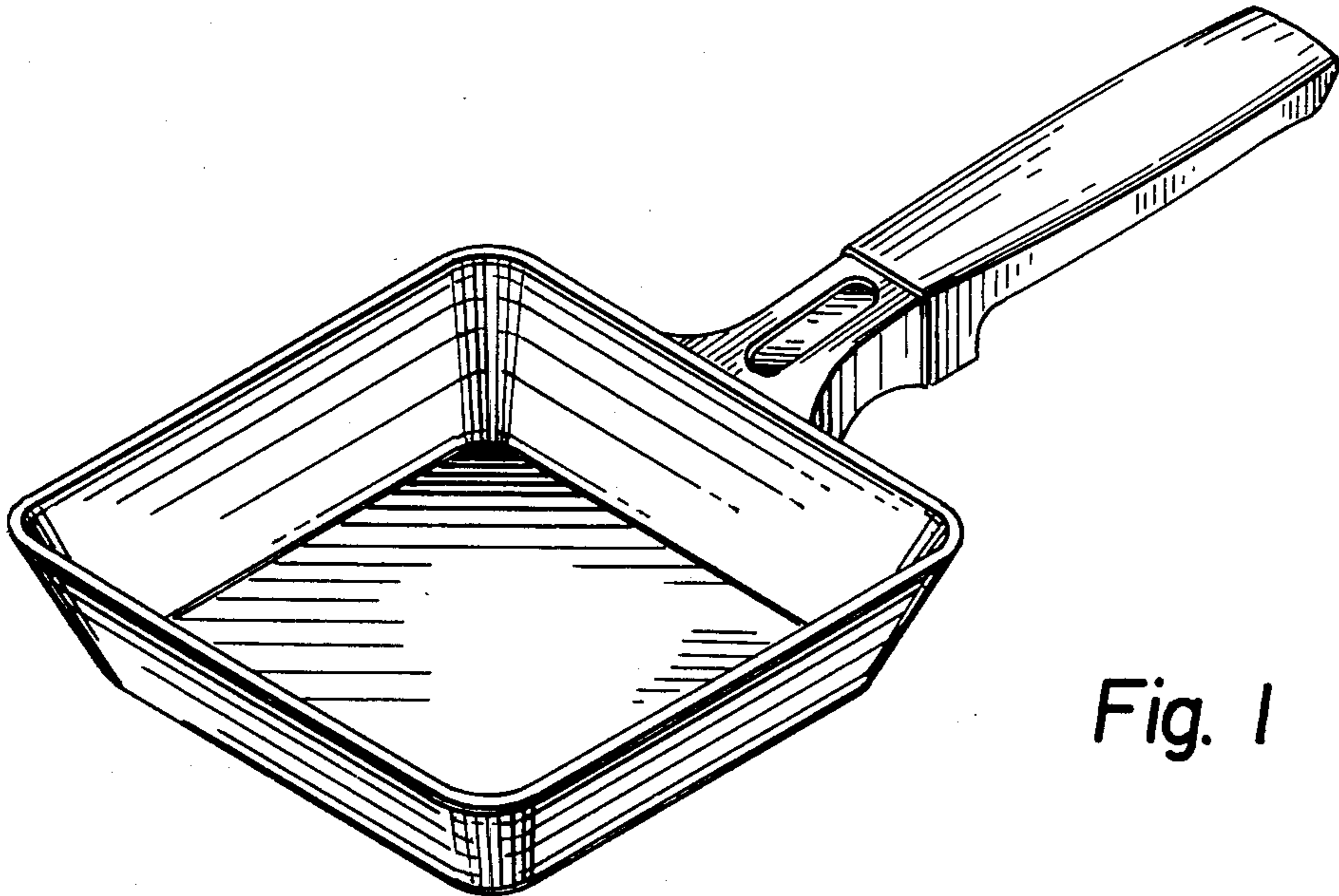


Fig. 1

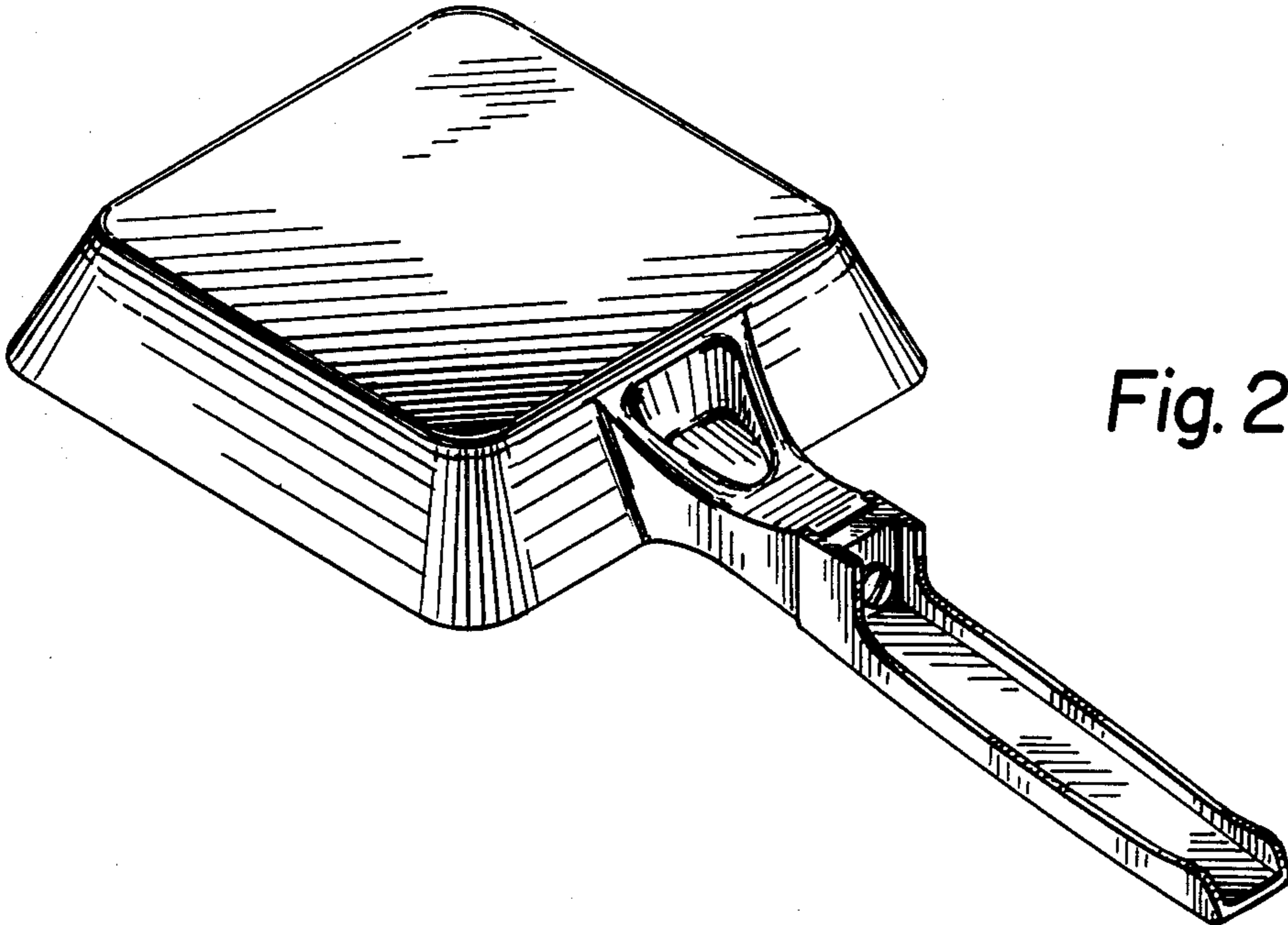


Fig. 2

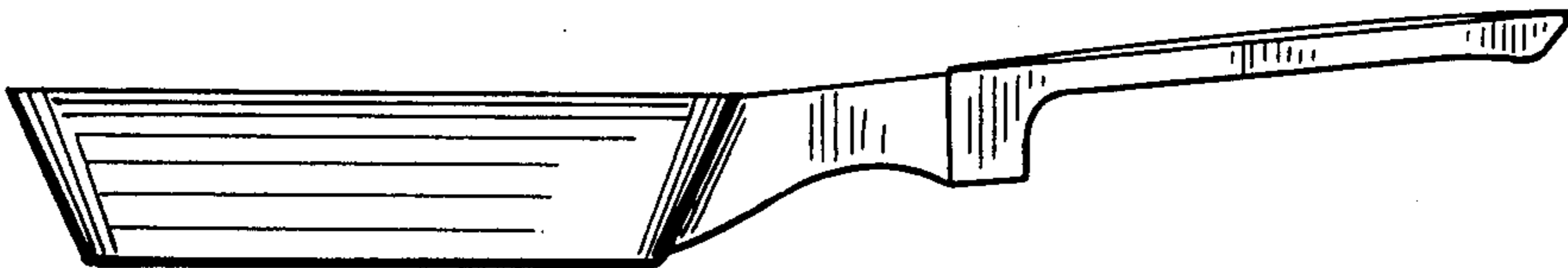


Fig. 3