

[54] MUG OR SIMILAR ARTICLE

[75] Inventor: James Lloyd Thrush, Lancaster, Ohio

[73] Assignee: Anchor Hocking Corporation, Lancaster, Ohio

[\*\*] Term: 14 Years

[21] Appl. No.: 610,095

[22] Filed: Sept. 4, 1975

[51] Int. Cl. .... D7-01

[52] U.S. Cl. .... D7/9

[58] Field of Search ..... D7/6-15, D7/20, 22, 39, 50, 132

[56] References Cited

U.S. PATENT DOCUMENTS

D. 30,008	1/1899	Albachary .....	D7/9
D. 152,982	3/1949	Kelley .....	D7/9
D. 226,446	3/1973	Wilton .....	D7/3

OTHER PUBLICATIONS

Tableware International, Jan. 1972, p. 3, Fidenza Vegetaria Salvo Adv., Mugs shown.

Aquinas Locke Pewter Brochure, rec'd. 10-6-74, No. 400, "Traditional" Mug.

Primary Examiner—Winifred E. Herrmann  
Attorney, Agent, or Firm—Joseph J. Previto

[57] CLAIM

The ornamental design for a mug or similar article, substantially as shown and described.

DESCRIPTION

FIG. 1 is a side elevational view of a mug or a similar article showing my new design;

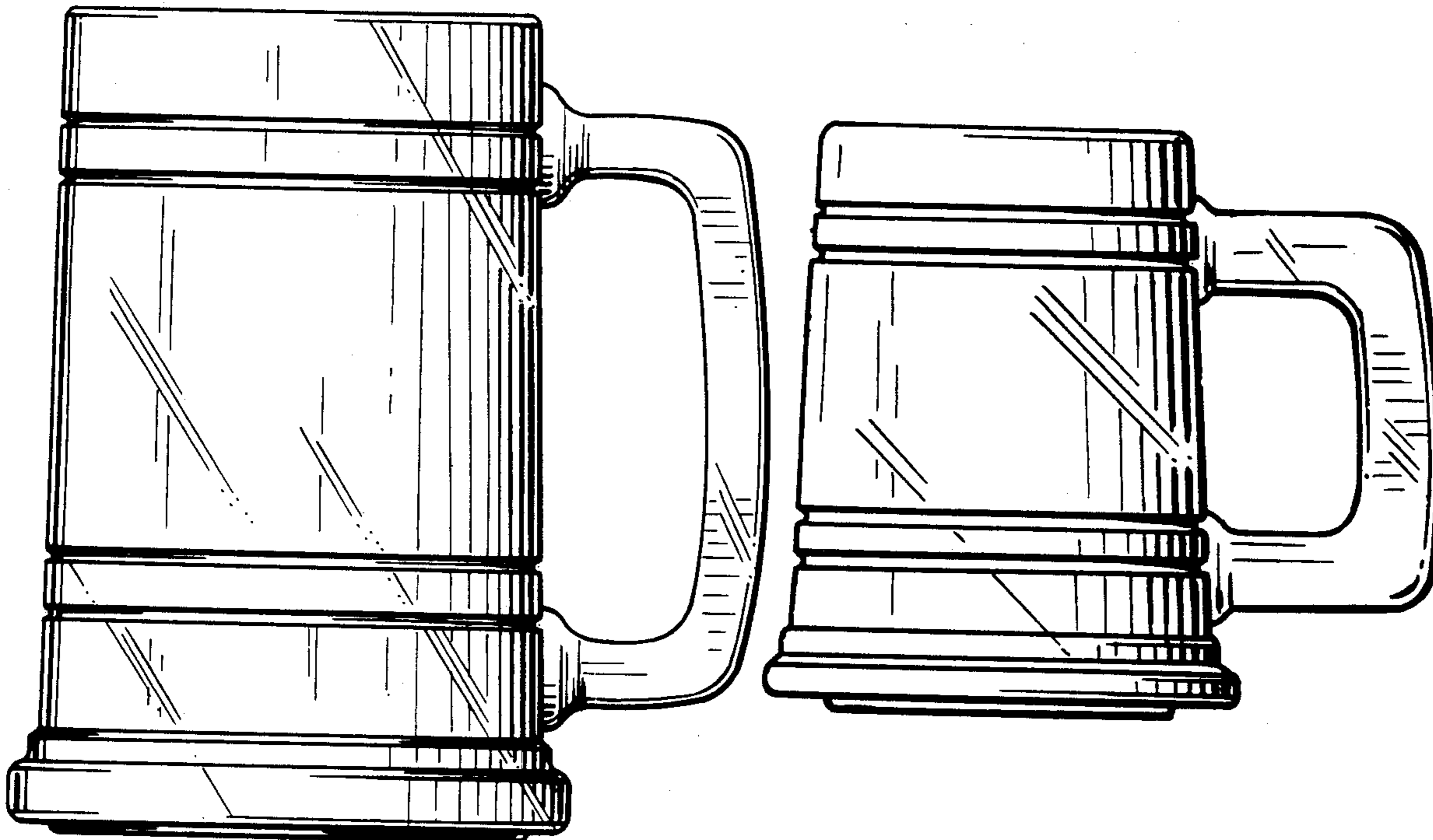
FIG. 2 is a rear view thereof;

FIG. 3 is a front view thereof;

FIG. 4 is a top view thereof;

FIG. 5 is a sectional view taken along line 5-5 of FIG. 3;

FIG. 6 is an elevational view of my design in a different size and proportion.



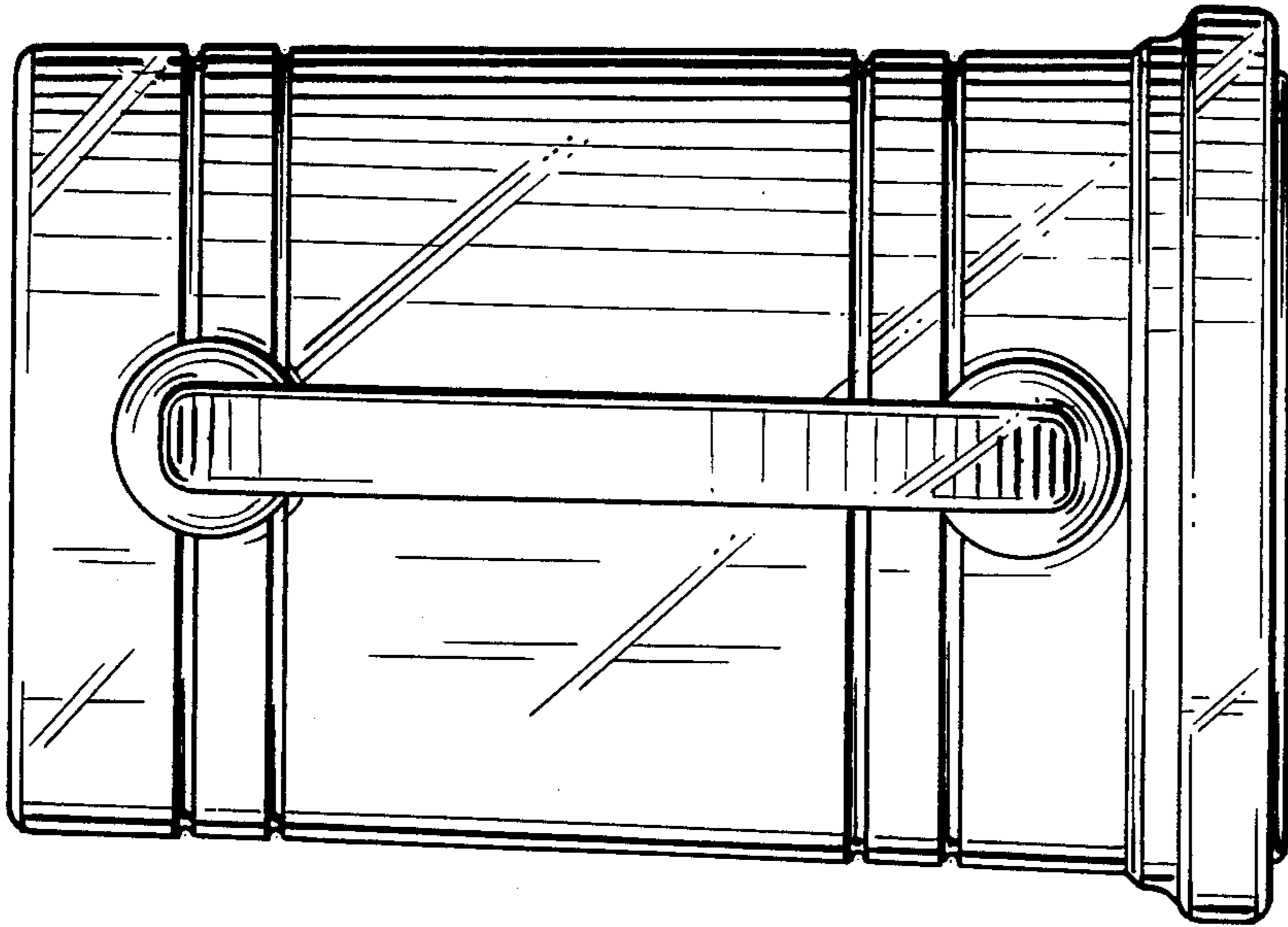


Fig. 2.

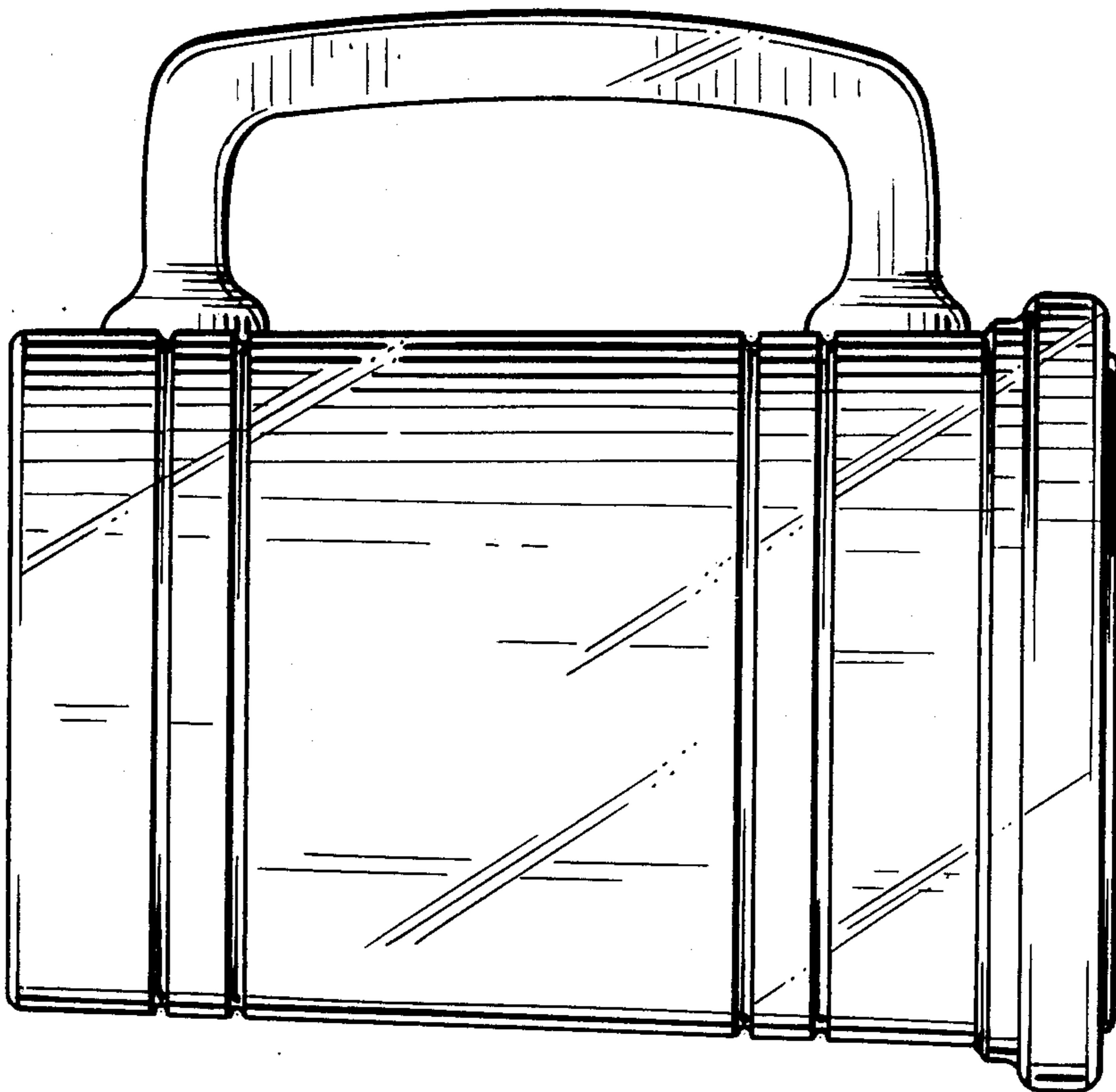


Fig. 1.

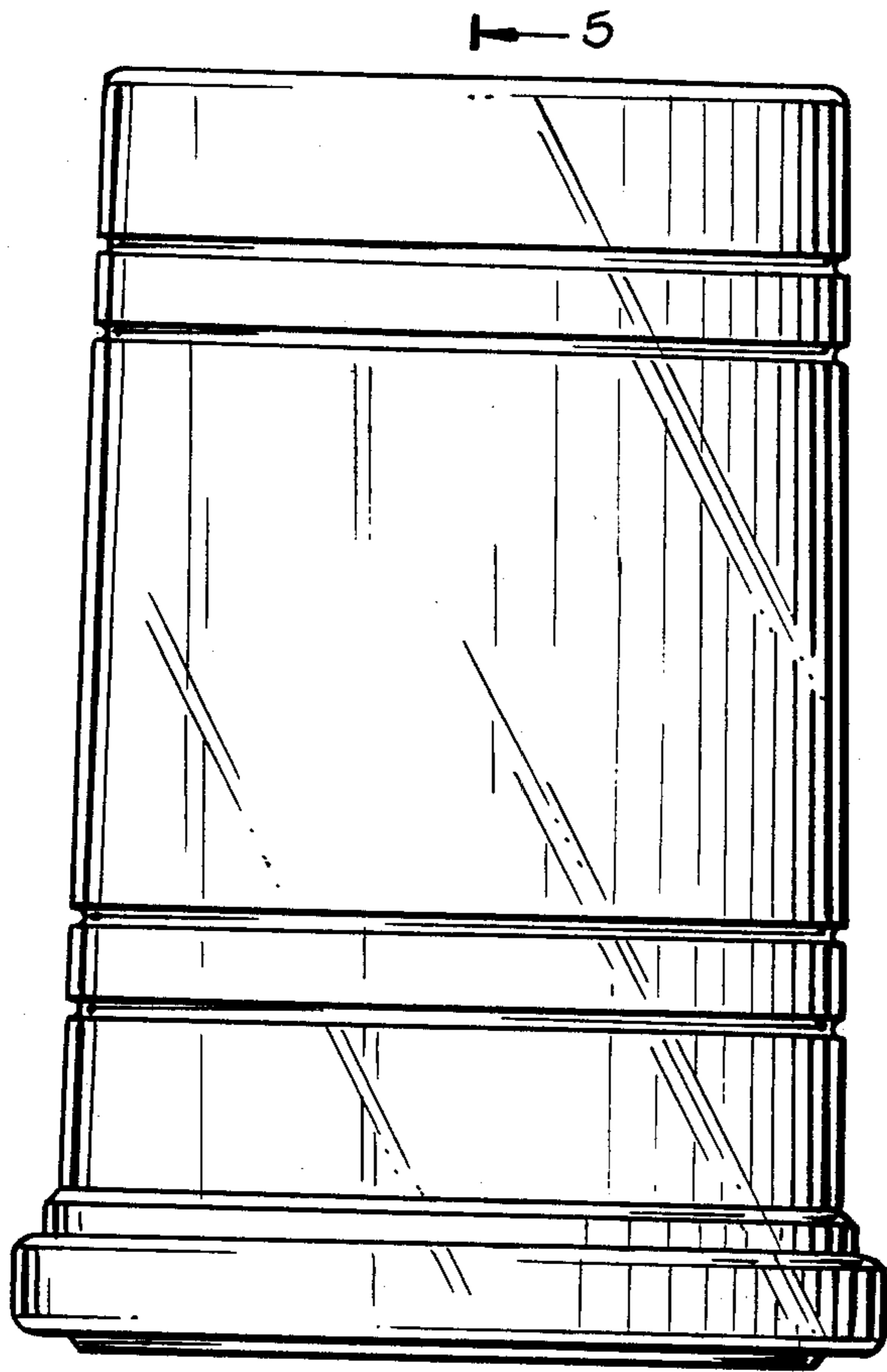


Fig. 3.

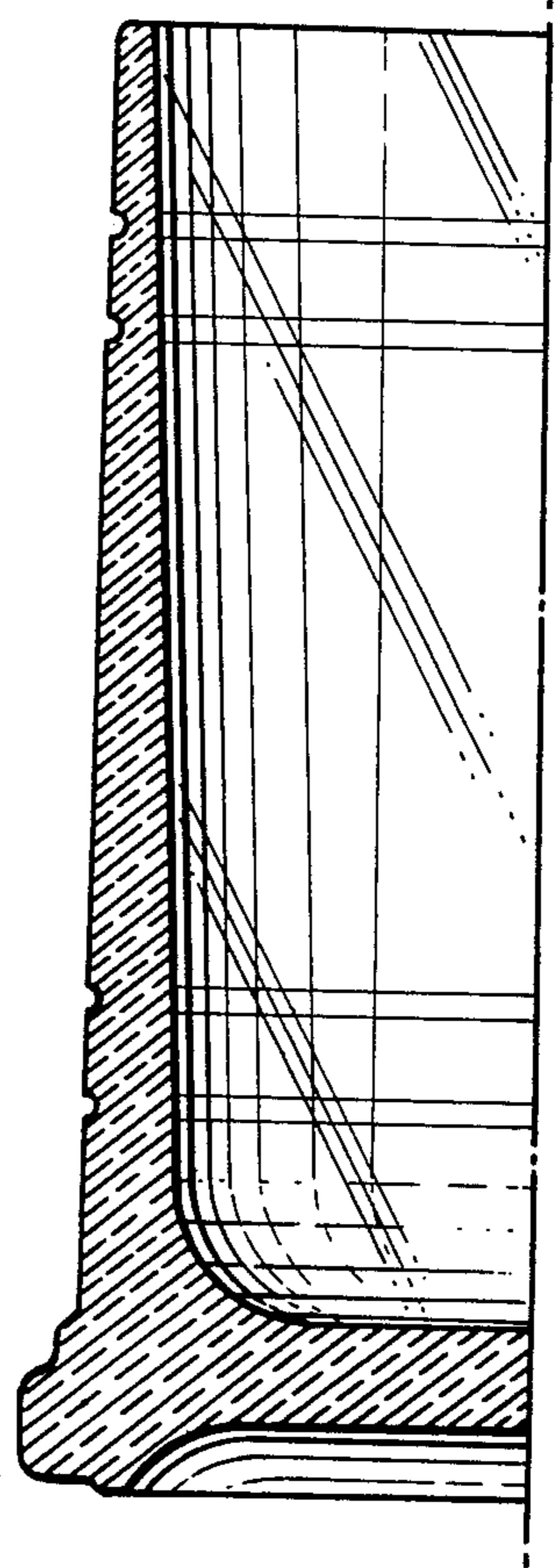


Fig. 5.

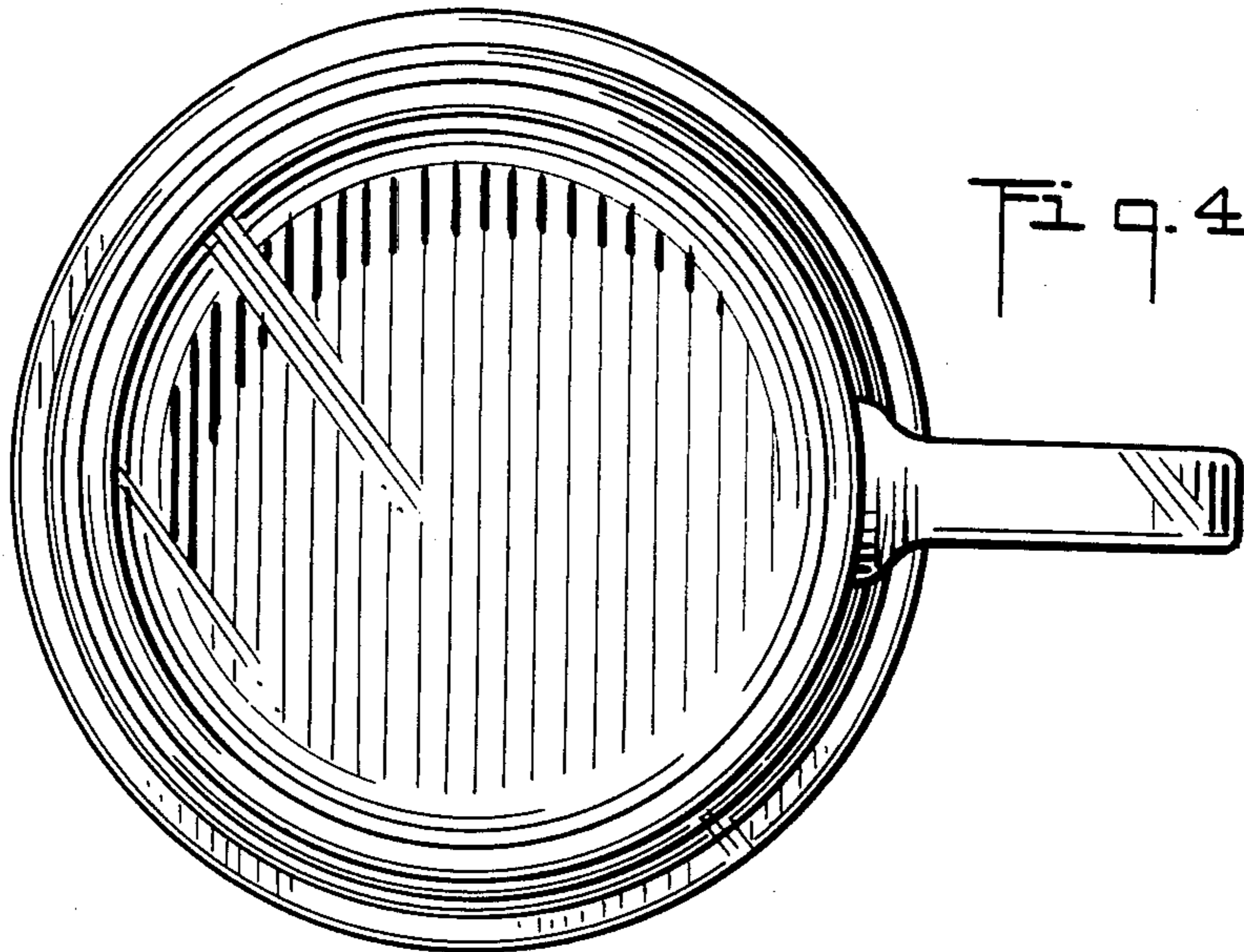


Fig. 4.

Fig. 6.

