

[54] COMBINED TOOTHBRUSH AND MIRROR

1,506,401 8/1924 Young ..... D4/18 UX  
1,695,451 12/1928 Campbell ..... D4/18 UX

[76] Inventor: Stanley Kitzis, 156 Plainview Road,  
Woodbury, N.Y. 11797

FOREIGN PATENT DOCUMENTS

[\*\*] Term: 14 Years

1,431,088 1/1966 France ..... 15/167 R

[21] Appl. No.: 697,971

Primary Examiner—Wallace R. Burke  
Assistant Examiner—Catherine E. Kemper  
Attorney, Agent, or Firm—Charles I. Brodsky

[22] Filed: June 21, 1976

[51] Int. Cl. .... D4—02; D24—02

[52] U.S. Cl. .... D4/18

[58] Field of Search ..... D4/17, 18, 24, 25;  
D24/13; 15/111, 159 R, 159 A, 160, 167 R, 167  
A, 236 R; 32/40 R, 69; 132/79 R, 83 R, 84 R,  
84 C; D28/65, 68, 69

[57] CLAIM

The ornamental design for combined toothbrush and  
mirror, substantially as shown and described.

[56] References Cited

U.S. PATENT DOCUMENTS

D. 172,567 7/1954 Schotland ..... D4/25  
828,393 8/1906 Emerson ..... D4/18 UX

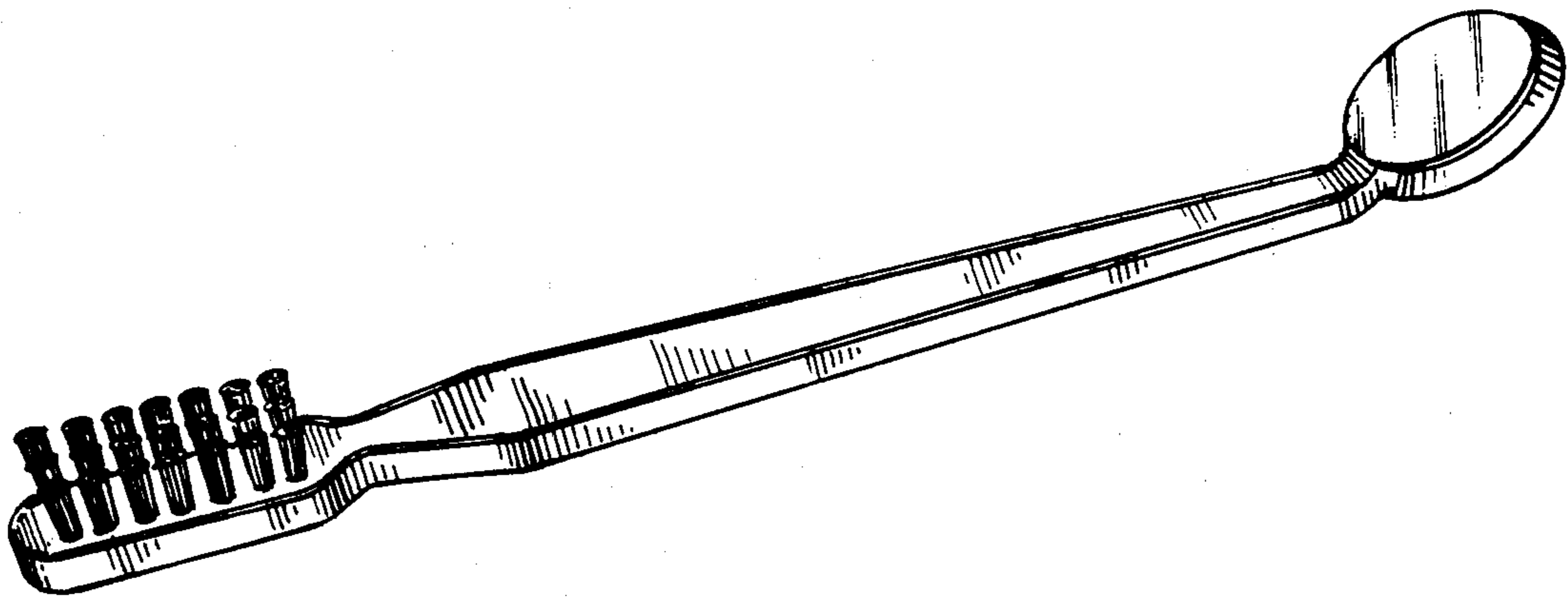
DESCRIPTION

FIG. 1 is a perspective view of combined toothbrush  
and mirror, showing my new design.

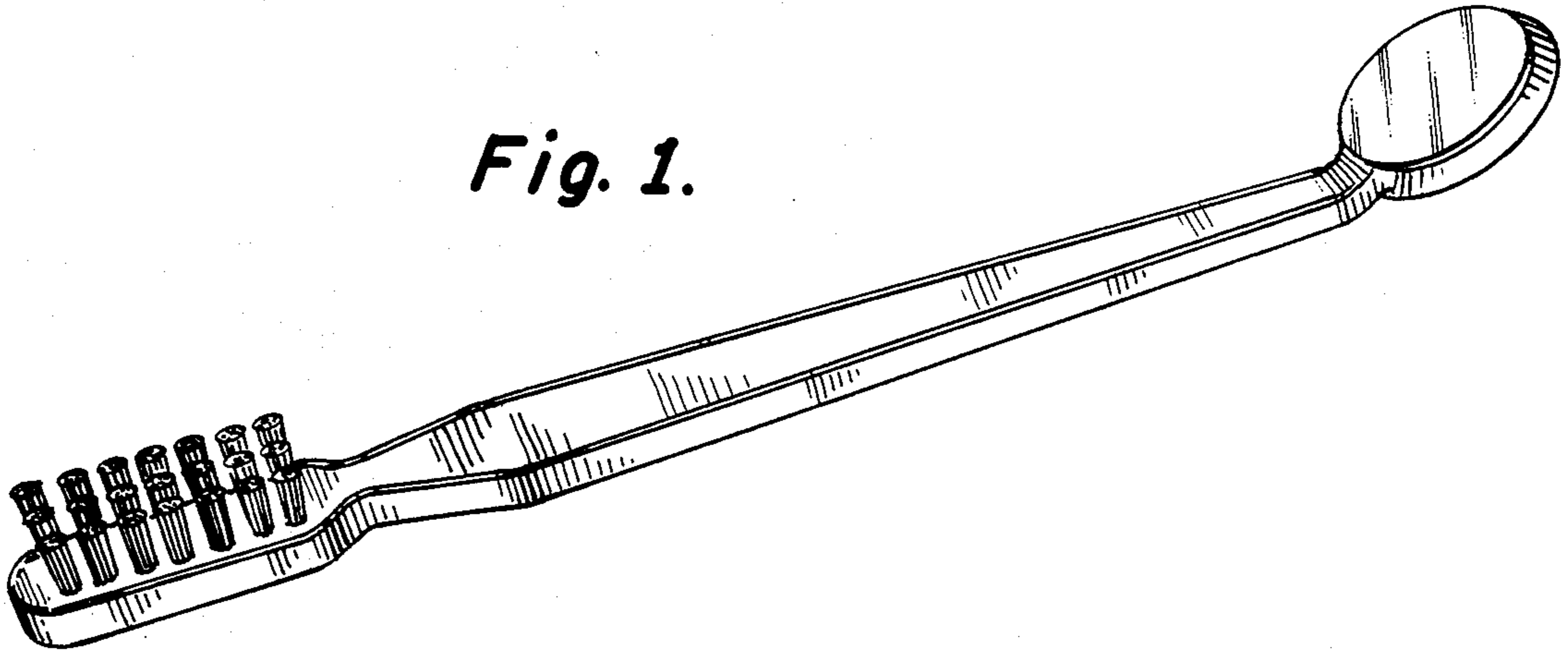
FIG. 2 is a top plan view thereof.

FIG. 3 is a side elevational view thereof, the opposite  
side being a mirror image thereof.

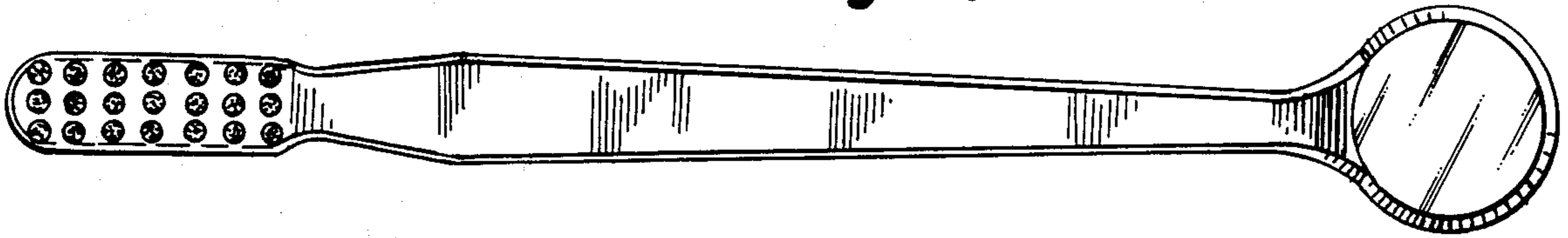
FIG. 4 is a bottom view thereof.



*Fig. 1.*



*Fig. 2.*



*Fig. 3.*



*Fig. 4*

