

[54] COMBINED KEY AND COIN HOLDER

2,559,946 7/1951 Craig et al. D87/8.4

[76] Inventor: Wallace D. Ellison, 3116 Glendon Ave., Los Angeles, Calif. 90034

[**] Term: 14 Years

[21] Appl. No.: 618,377

[22] Filed: Oct. 1, 1975

[51] Int. Cl. D3-01

[52] U.S. Cl. D87/8.4

[58] Field of Search D87/3 B, 8-8.4; D19/34; D8/243-245; 150/37-39, 40; 24/3 K

[56] References Cited

U.S. PATENT DOCUMENTS

D. 51,386	10/1917	King	D8/245
910,486	1/1909	Bell	150/37
1,809,943	6/1931	Ockenden	D19/34
2,297,285	9/1942	Bledsoe	D87/8.1
2,297,312	9/1942	Mieth	24/3 K

OTHER PUBLICATIONS

Grammes Metal Products Cat. © 1941, p. 12, Item No. 4722.

Primary Examiner—Joel Stearman
Assistant Examiner—George P. Word
Attorney, Agent, or Firm—Dennis L. Mangrum

[57] CLAIM

The ornamental design for a combined key and coin holder, substantially as shown.

DESCRIPTION

FIG. 1 is a rear perspective view of a combined key and coin holder showing my new design;
FIG. 2 is a top plan view thereof;
FIG. 3 is a front elevational view thereof;
FIG. 4 is a left end elevational view thereof;
FIG. 5 is a right end elevational view thereof;
FIG. 6 is a bottom plan view thereof.

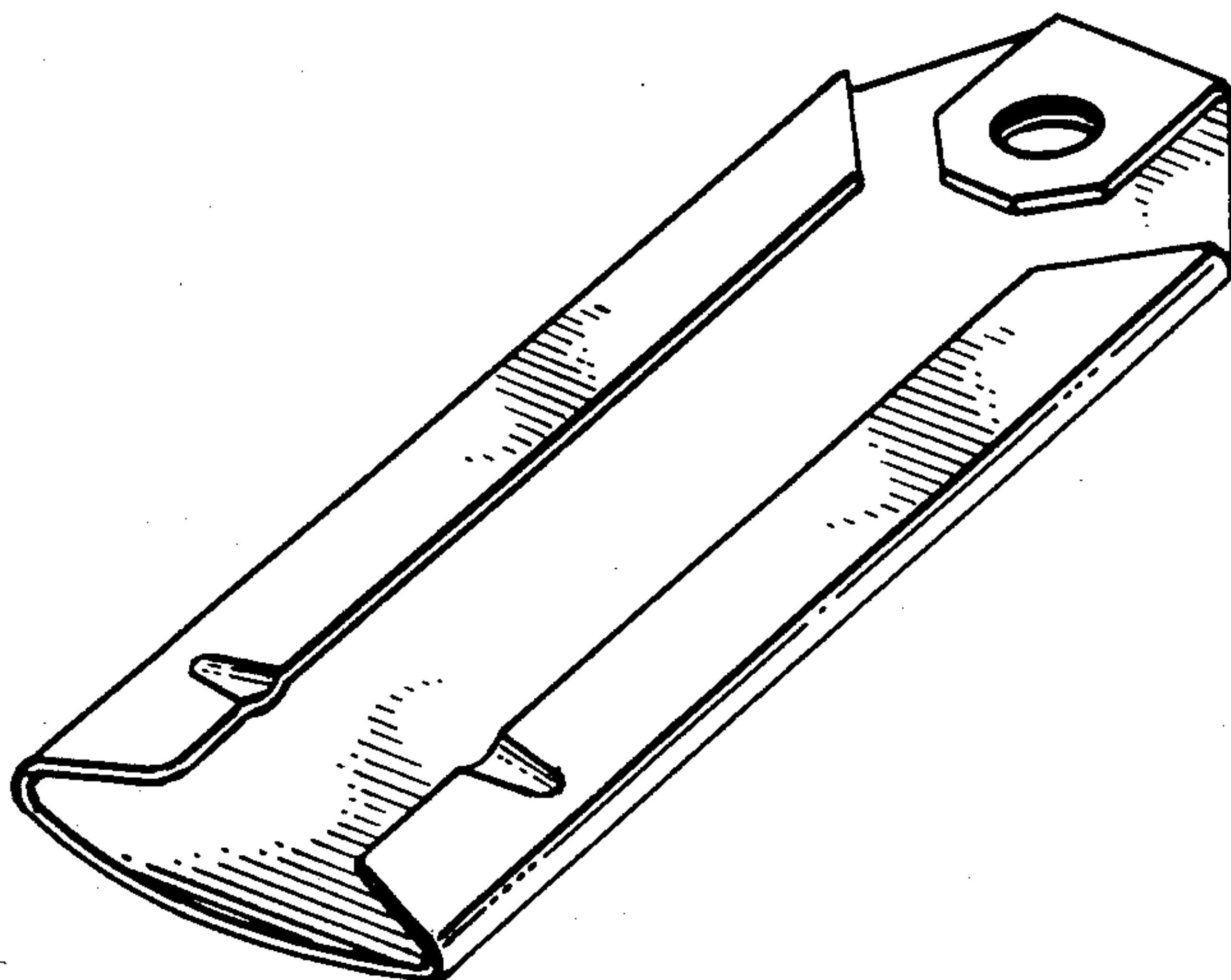


Fig. 1

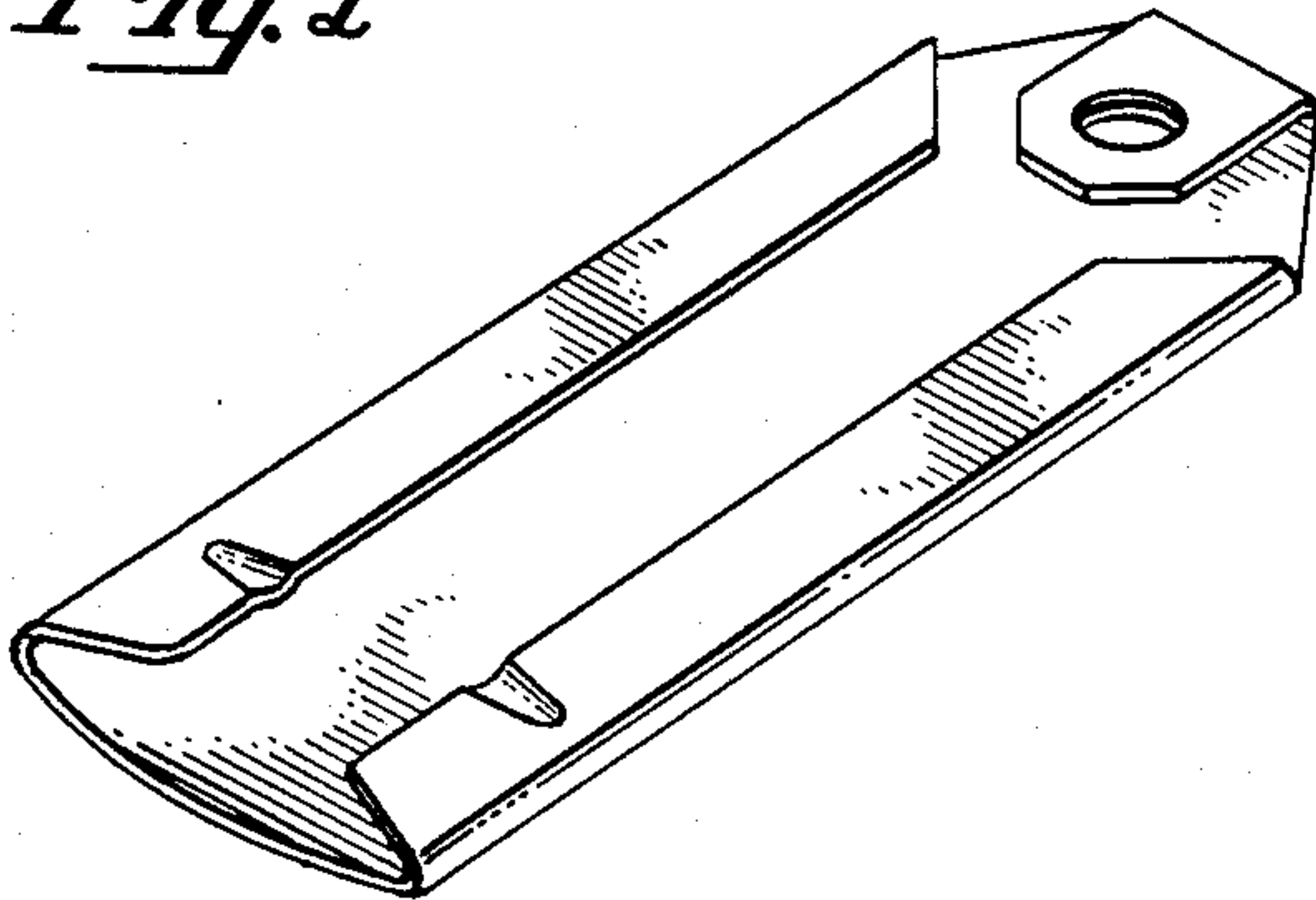


Fig. 2

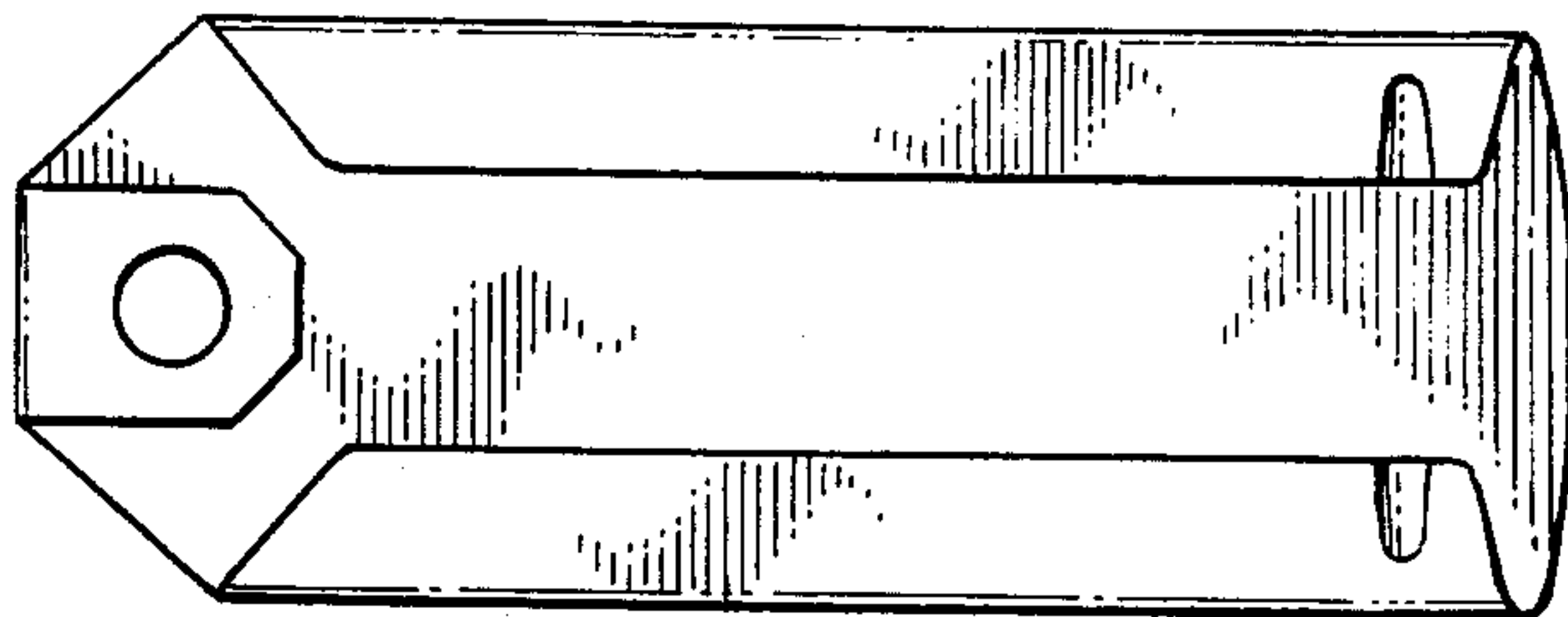


Fig. 4

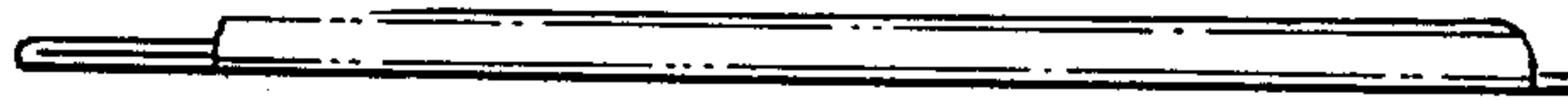


Fig. 3



Fig. 5

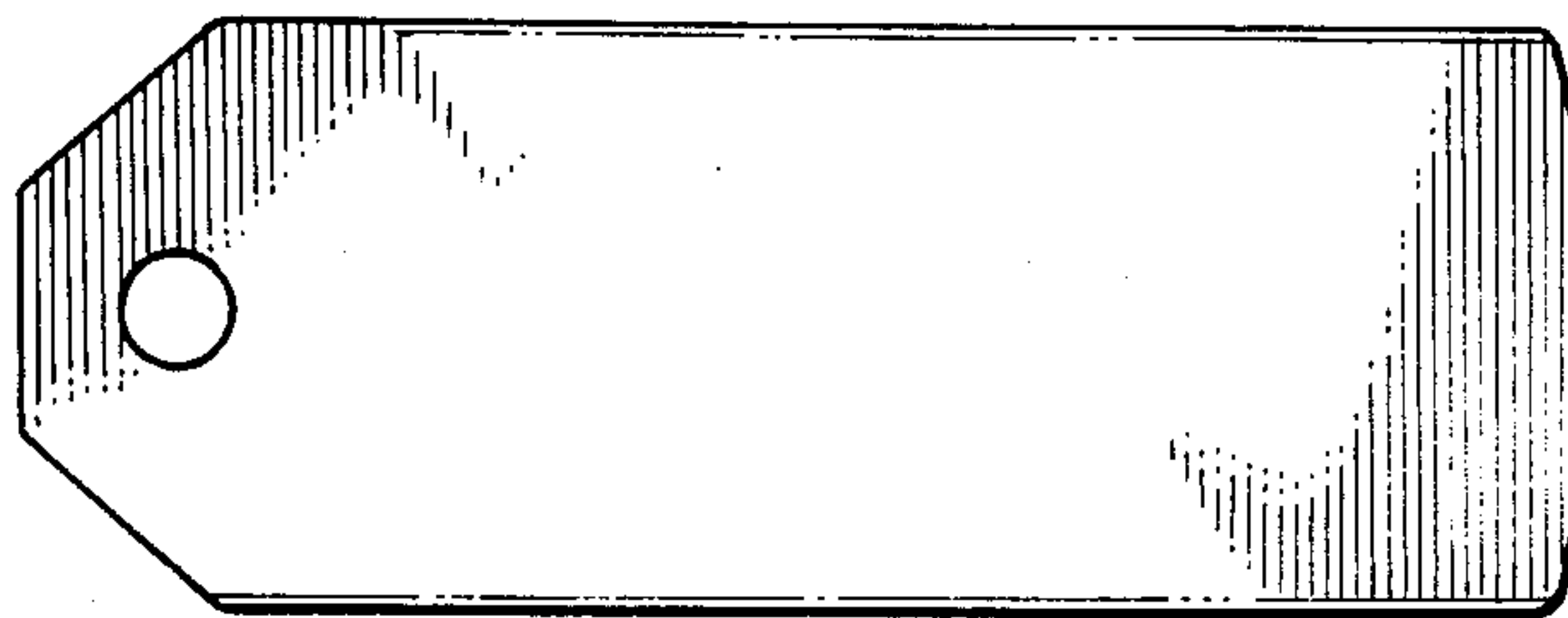


Fig. 6