

[54] TOTE BOX

[75] Inventor: Thomas H. White, Issaquah, Wash.

[73] Assignee: Rubbermaid Industrial Products Corporation, Statesville, N.C.

[**] Term: 14 Years

[21] Appl. No.: 693,224

[22] Filed: June 4, 1976

[51] Int. Cl. D9-03

[52] U.S. Cl. D87/1 R

[58] Field of Search D87/1 R; D9/177, 219, D9/237; 206/505-509; 220/380; 229/43

[56] References Cited

U.S. PATENT DOCUMENTS

| | | | |
|------------|---------|--------------------|---------|
| D. 197,311 | 1/1964 | Spaak et al. | D87/1 R |
| 2,774,511 | 12/1956 | Menkin et al. | 206/507 |
| 2,994,457 | 8/1961 | Fornas | 206/507 |
| 3,326,410 | 6/1967 | Asenbauer | 206/507 |
| 3,409,169 | 11/1968 | Levenhagen | 206/507 |

Primary Examiner—Winifred E. Herrmann

Assistant Examiner—George P. Word
Attorney, Agent, or Firm—E. R. Hamilton

[57] CLAIM

The ornamental design for a tote box, as shown and described.

DESCRIPTION

FIG. 1 is a perspective view of a tote box embodying my new design.

FIG. 2 is a top plan view thereof.

FIG. 3 is an end elevational view on line 3 - 3 of FIG. 2.

FIG. 4 is an end elevational view on line 4 - 4 of FIG. 2.

FIG. 5 is a partial cross-sectional view on line 5 - 5 of FIG. 2.

FIG. 6 is a partial cross-sectional view on line 6 - 6 of FIG. 2.

The exterior surface of the remote side in FIG. 1 and the exterior surface of the bottom are plane surfaces. The fins on the exterior end surfaces are individually identical as exemplified by the fin shown in side elevation in FIG. 6.

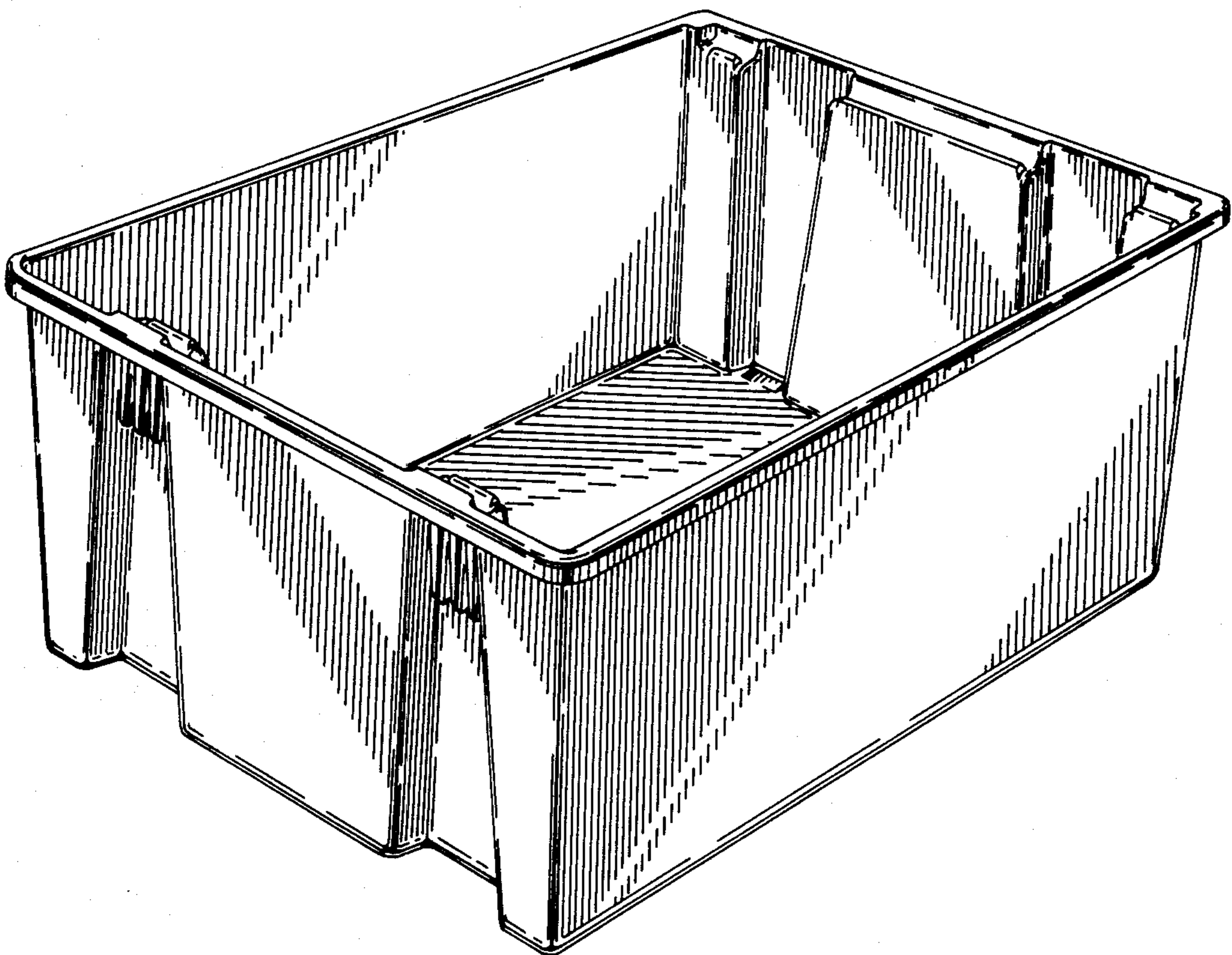


FIG. 1

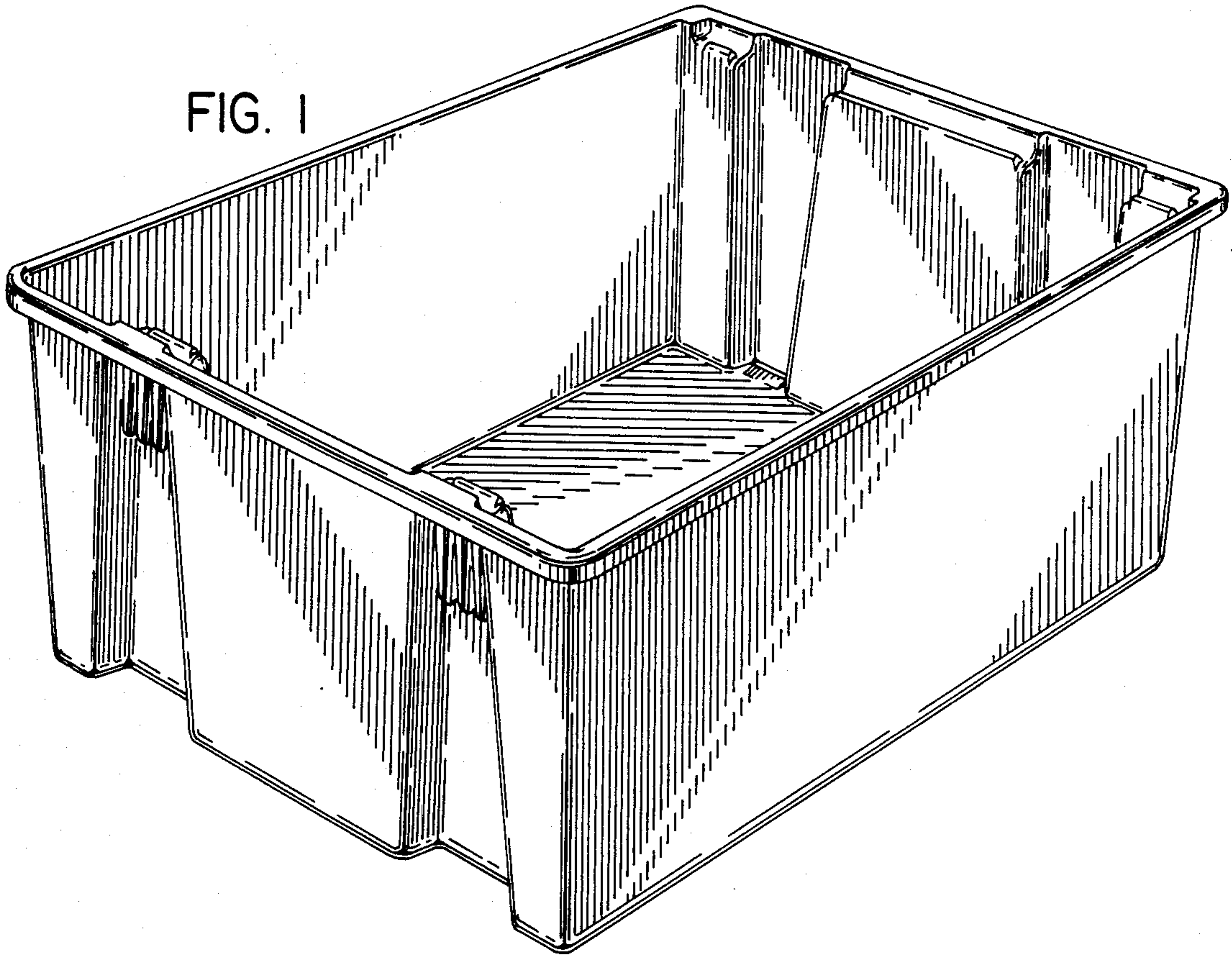
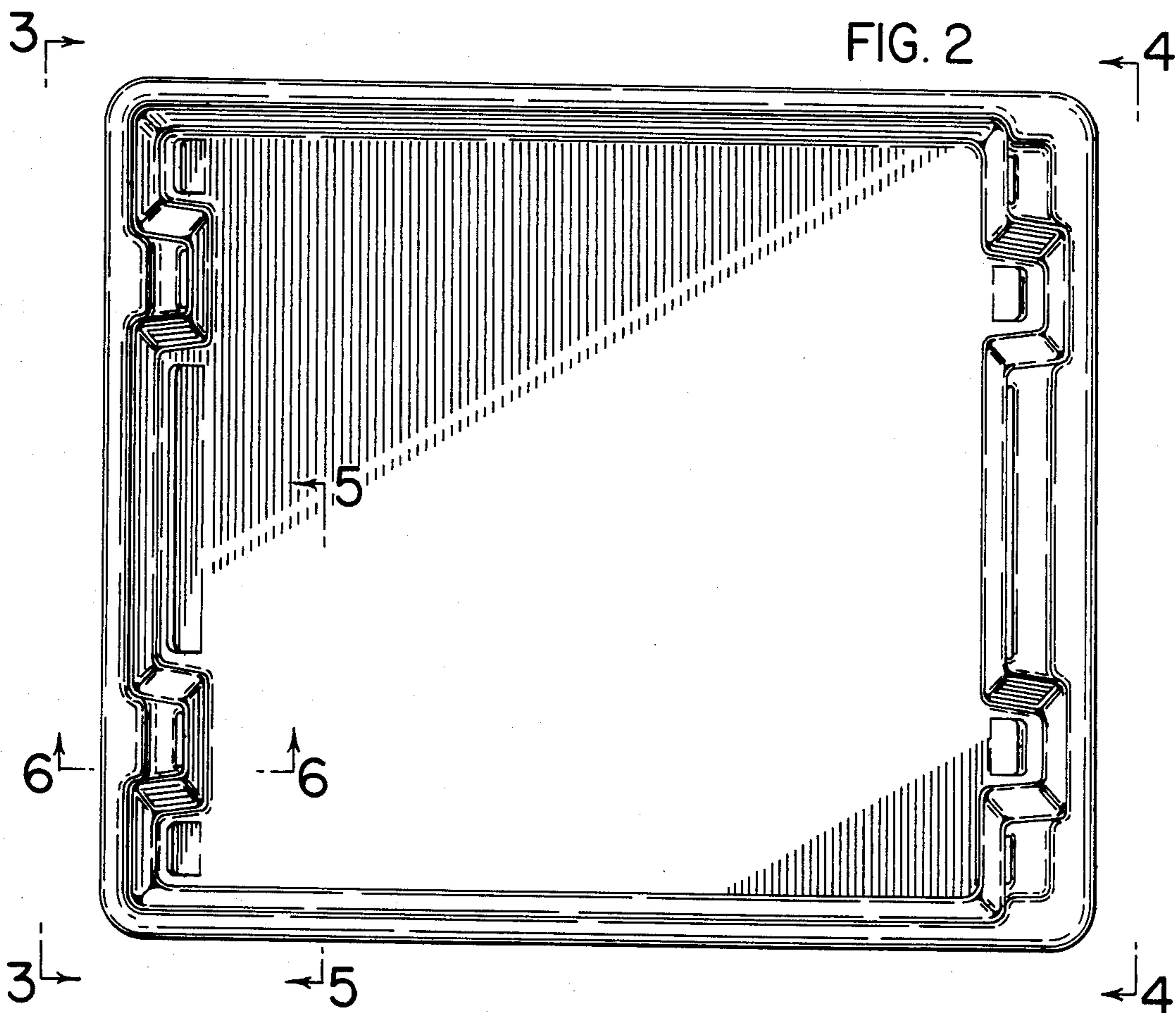


FIG. 2



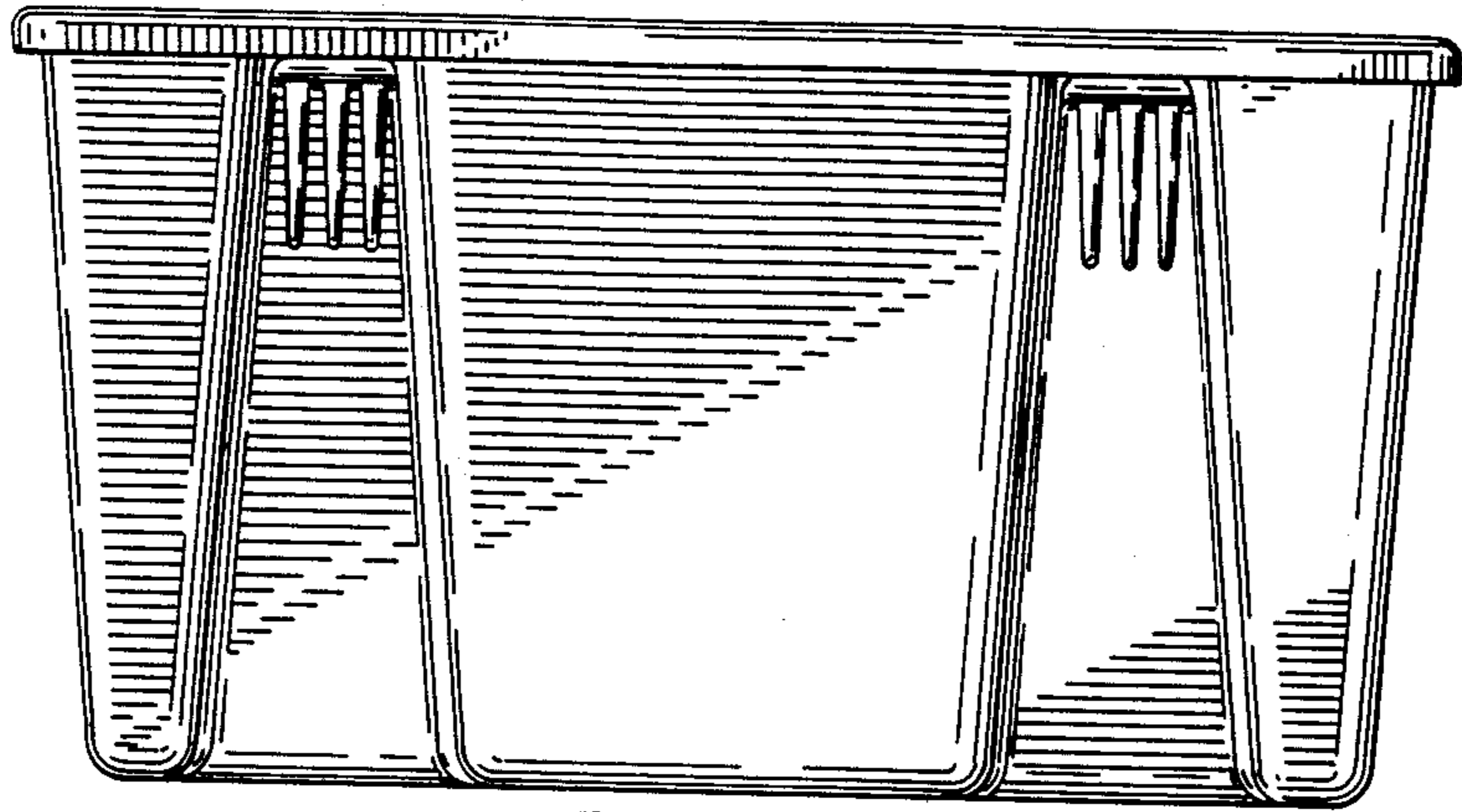


FIG. 3

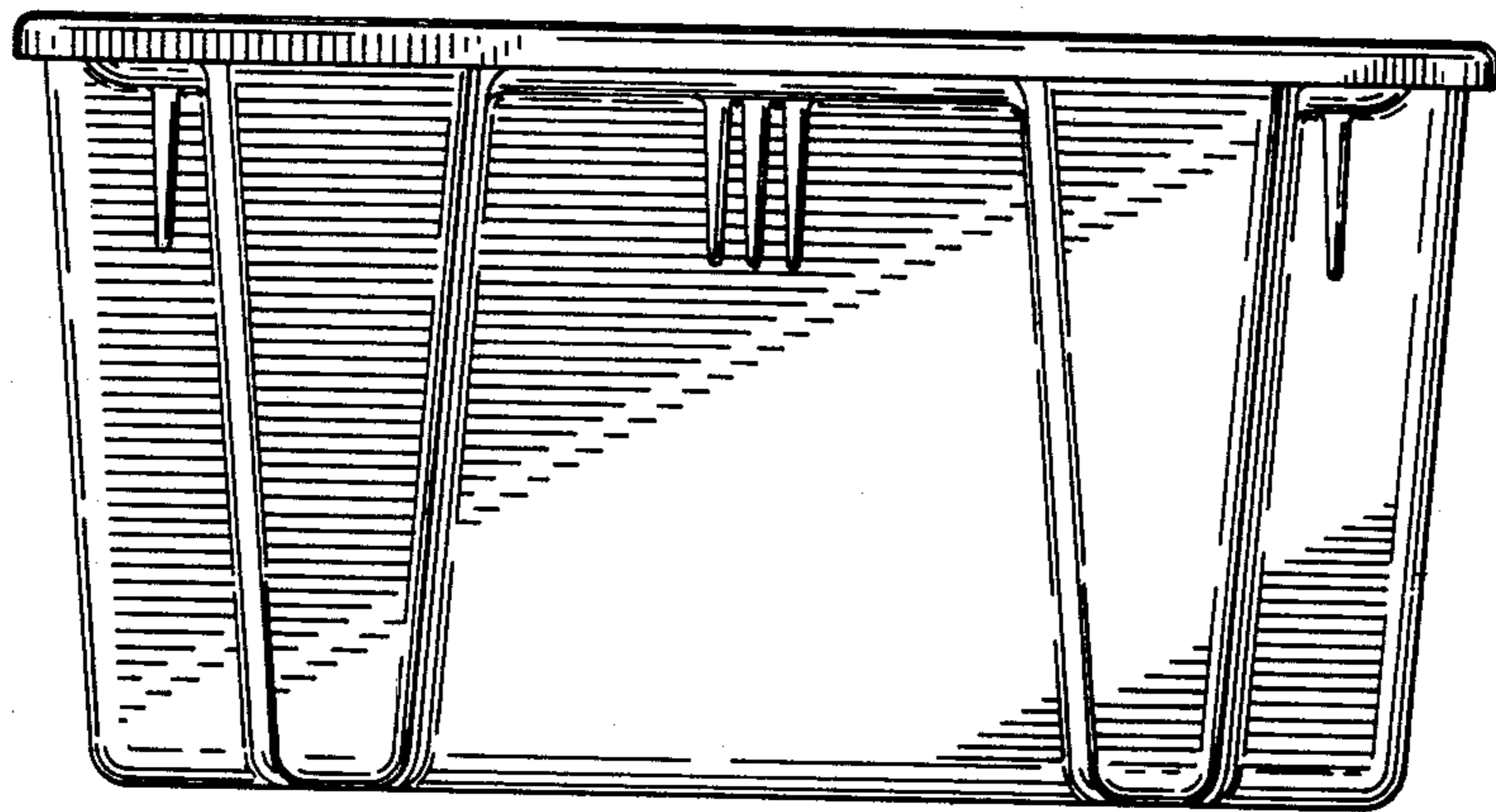


FIG. 4

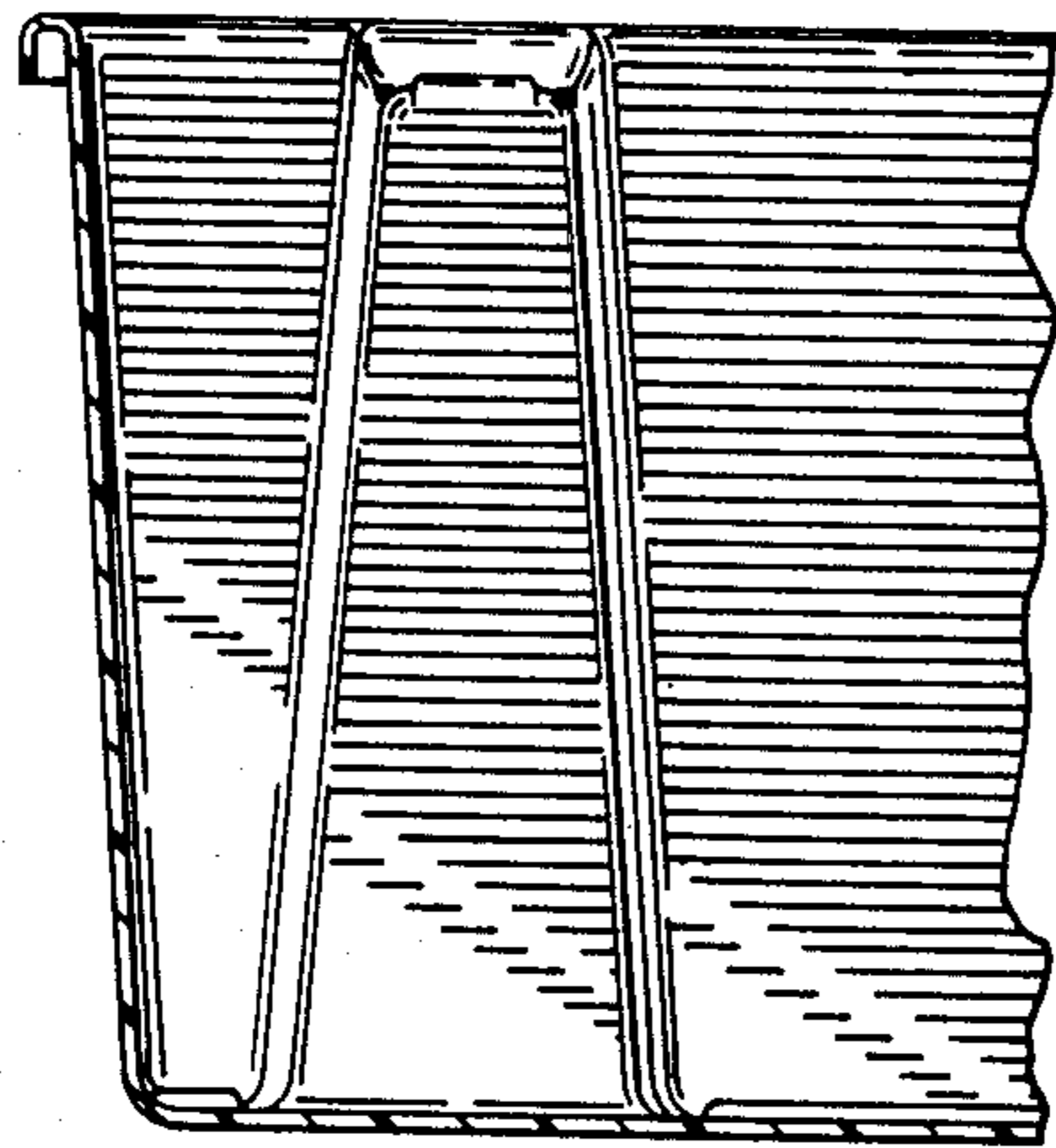


FIG. 5

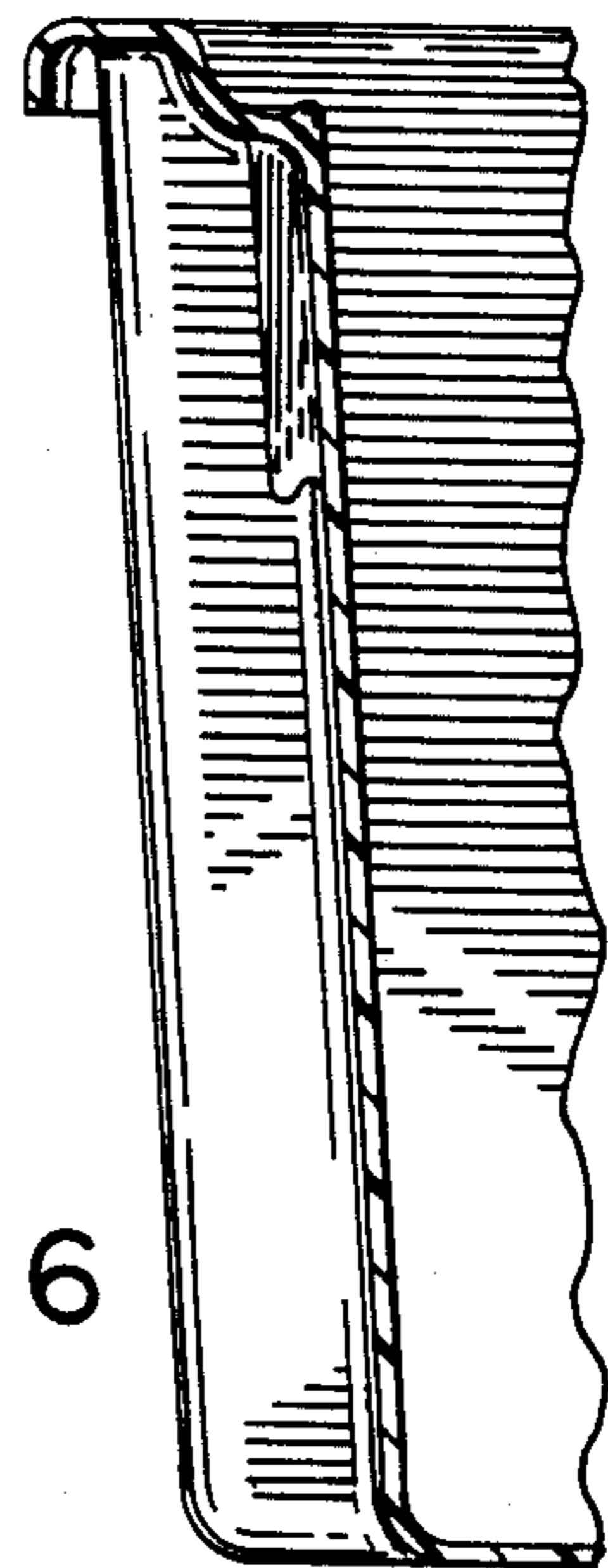


FIG. 6