

[54] TOY AIRPLANE

[75] Inventor: James F. Loomis, Seattle, Wash.

[73] Assignee: Industrial & Promotional Toys, Inc., Seattle, Wash.

[\*\*] Term: 14 Years

[21] Appl. No.: 635,972

[22] Filed: Nov. 28, 1975

[51] Int. Cl. .... D21-01

[52] U.S. Cl. .... D34/15 HH

[58] Field of Search ..... D34/15 HH; D12/71, 73, D12/77, 78, 80; 46/76 R, 76 A, 77, 78, 79, 80, 81, 89

[56] References Cited

U.S. PATENT DOCUMENTS

- D. 117,419 10/1939 Munk et al. .... D12/78
- D. 118,786 9/1970 Studer ..... D12/80
- D. 225,248 11/1972 Ostrander ..... D34/15 HH

Primary Examiner—Joel Stearman  
Assistant Examiner—C. A. Rademaker  
Attorney, Agent, or Firm—Roy E. Mattern, Jr.

[57] CLAIM

The ornamental design for a toy airplane, as shown and described.

DESCRIPTION

FIG. 1 is a side elevational view of a toy airplane showing my new design;  
FIG. 2 is a front elevational view thereof;  
FIG. 3 is a top plan view thereof;  
FIG. 4 is a bottom plan view thereof; and,  
FIG. 5 is a rear elevational view thereof.

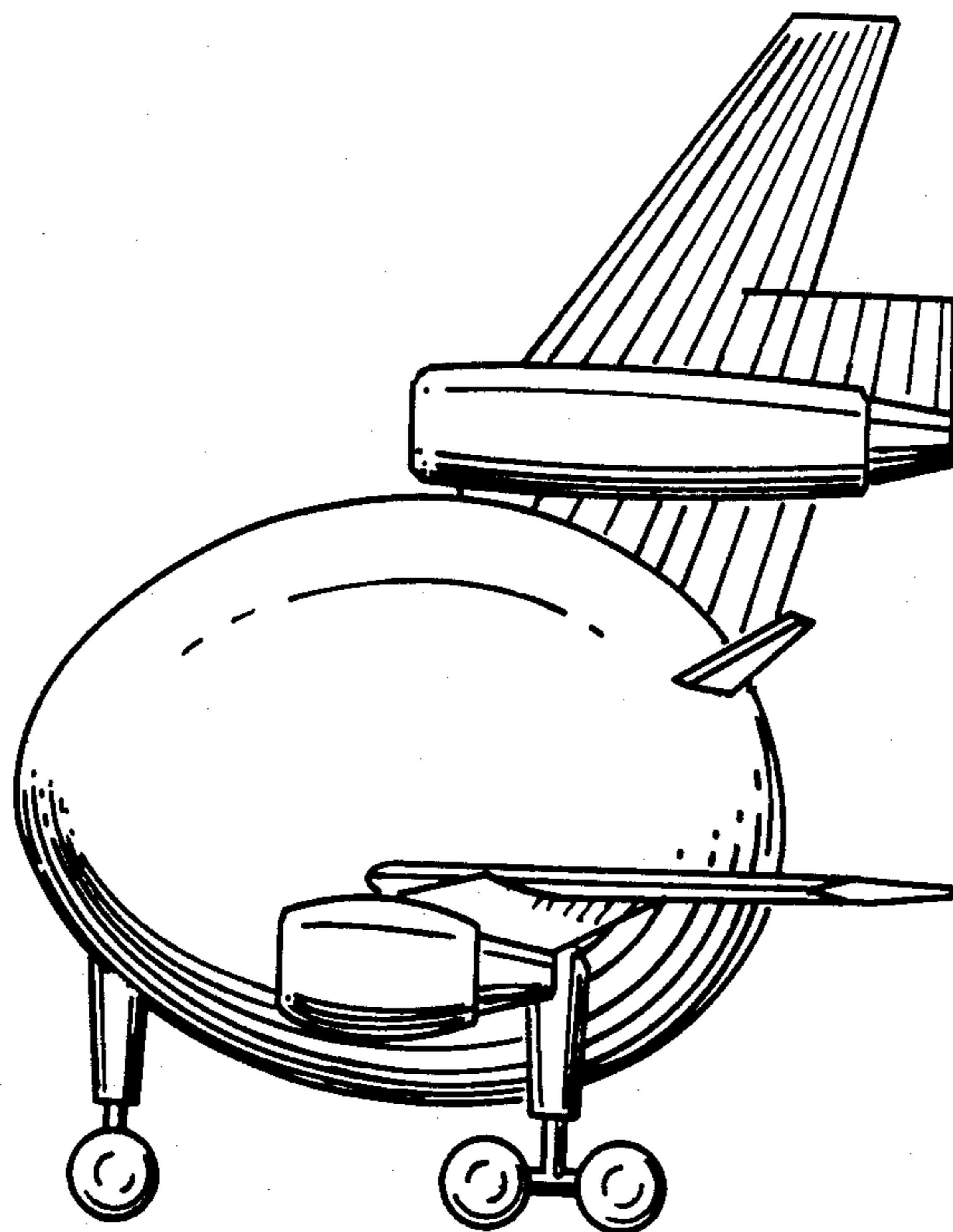


FIG. 1

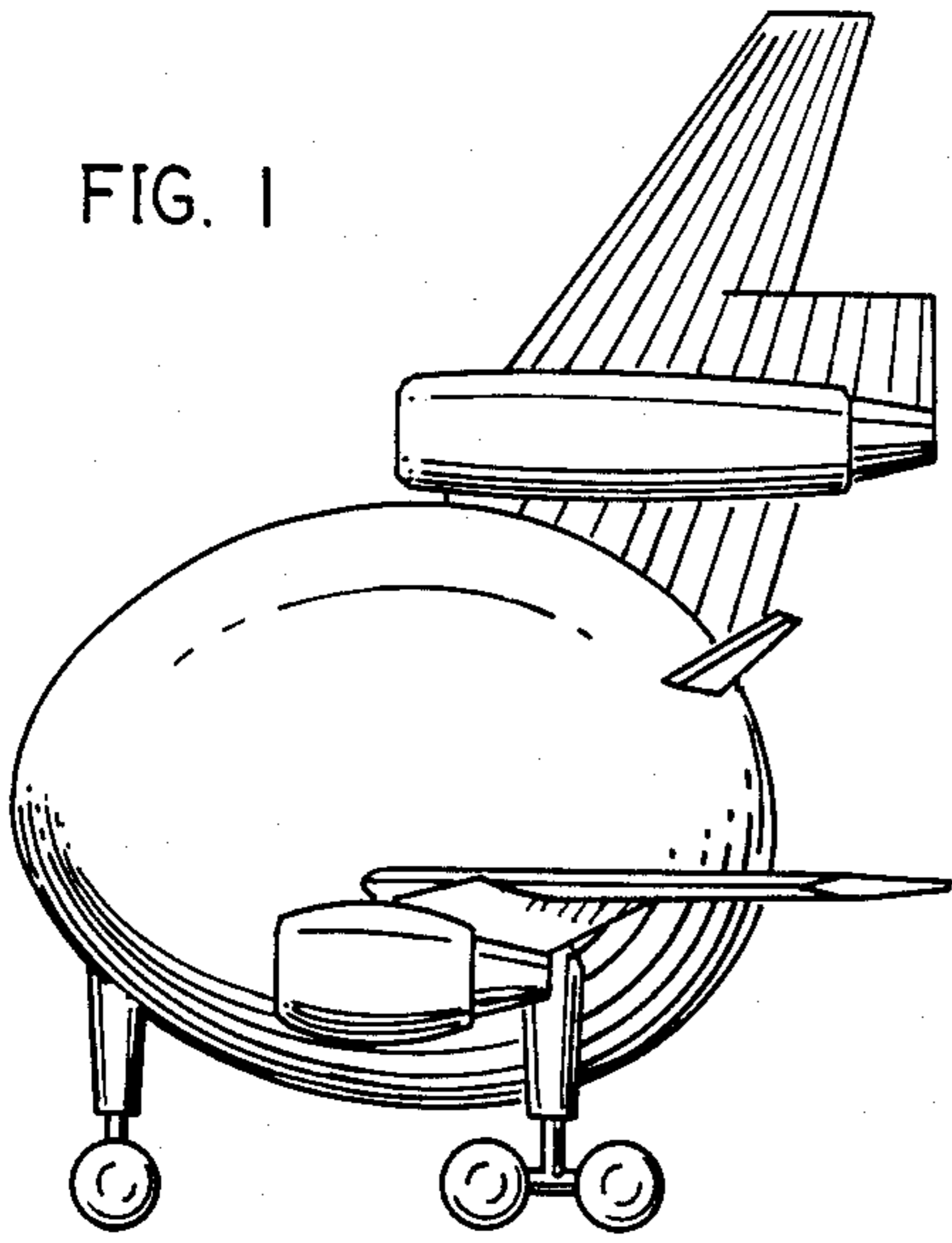


FIG. 2

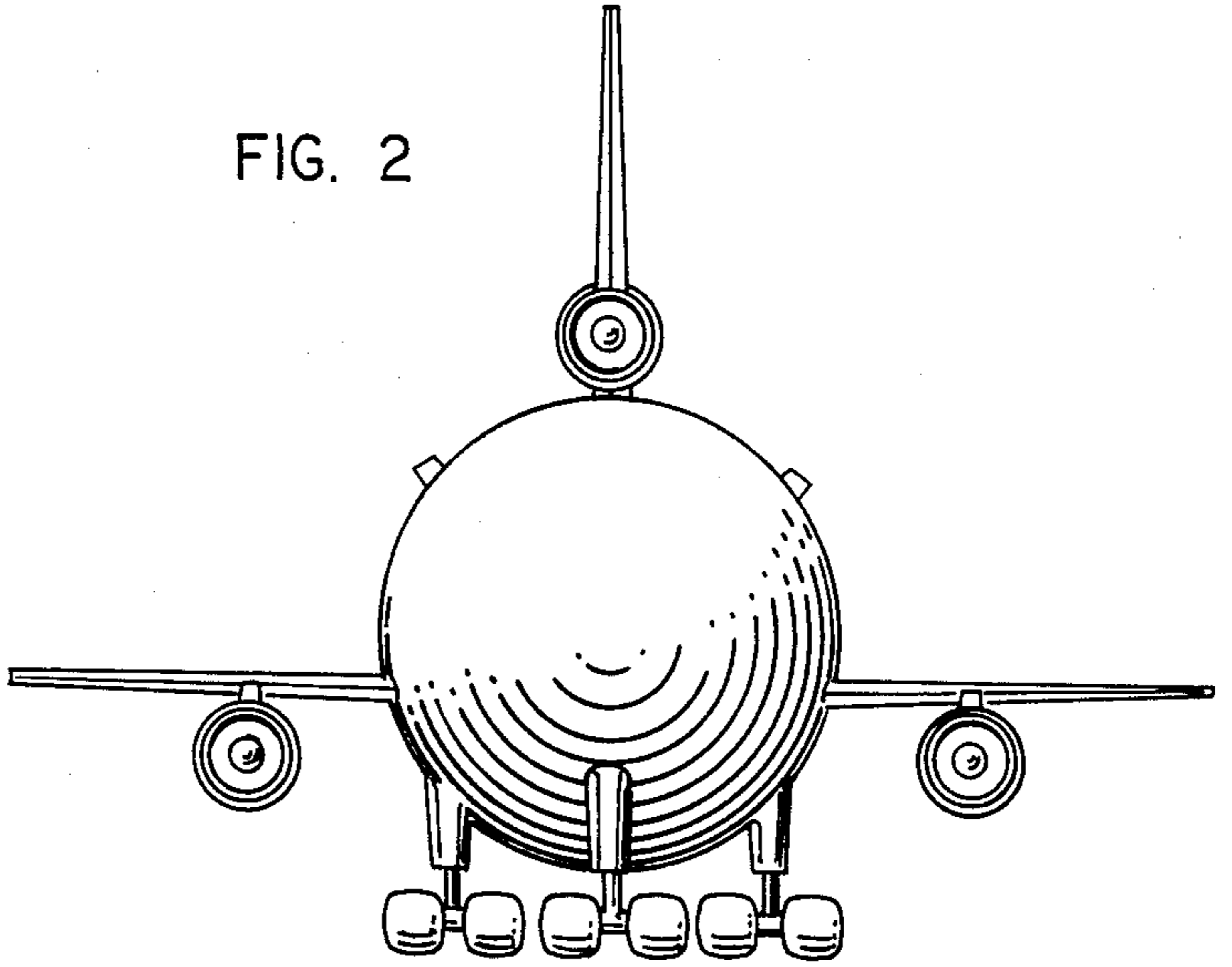


FIG. 3

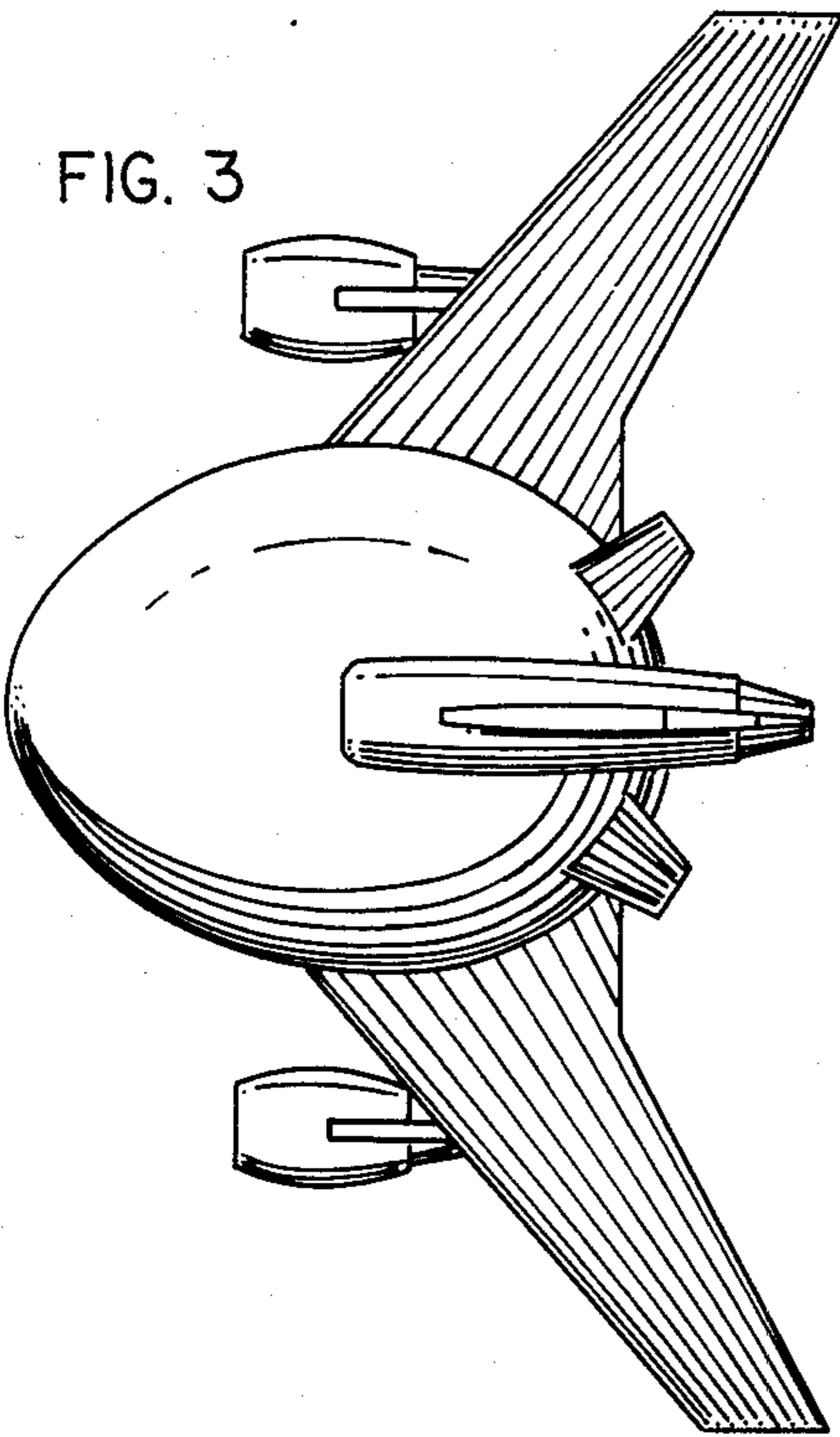


FIG. 4

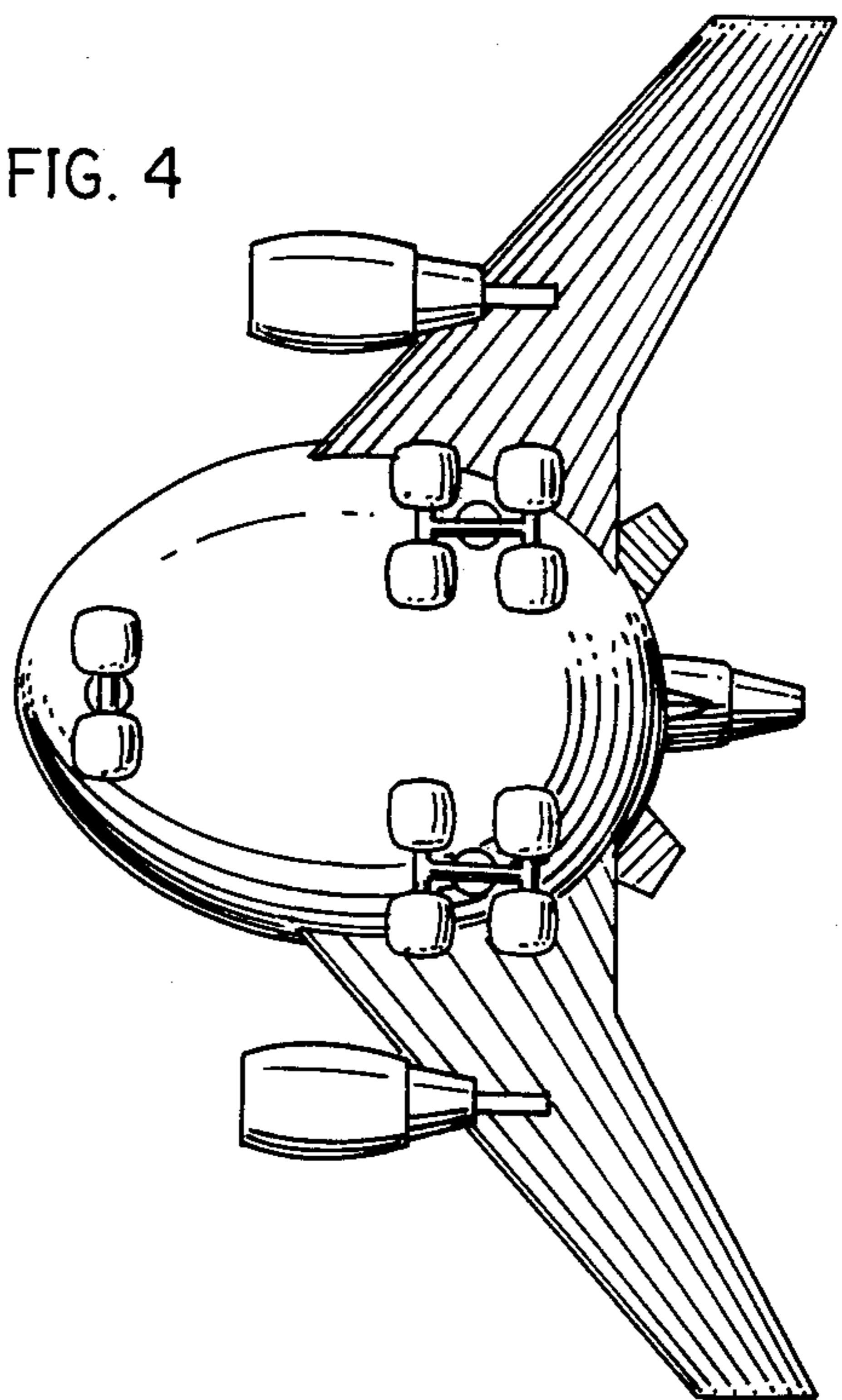


FIG. 5

