

[54] COMBINED TRIM STRIP AND REMOVABLE PAPER BACKING THEREFOR

[75] Inventor: Brian A. Wenrick, Dayton, Ohio

[73] Assignee: Helene Curtis Industries, Inc., Chicago, Ill.

[**] Term: 14 Years

[21] Appl. No.: 652,207

[22] Filed: Jan. 26, 1976

[51] Int. Cl. D25-01

[52] U.S. Cl. D25/79

[58] Field of Search 293/1; 52/716; 428/161, 428/189, 31; D25/74, 75, 79; D8/243, 244, 245; D12/190

[56] References Cited

U.S. PATENT DOCUMENTS

D. 217,959	7/1970	Bott	D12/190
3,687,792	8/1972	Ruff	428/189
3,843,475	10/1974	Kent	52/716 X
3,916,055	10/1975	Wagner	52/312 X
3,959,538	5/1976	Loew	52/716 X
3,982,780	9/1976	Keith	52/716

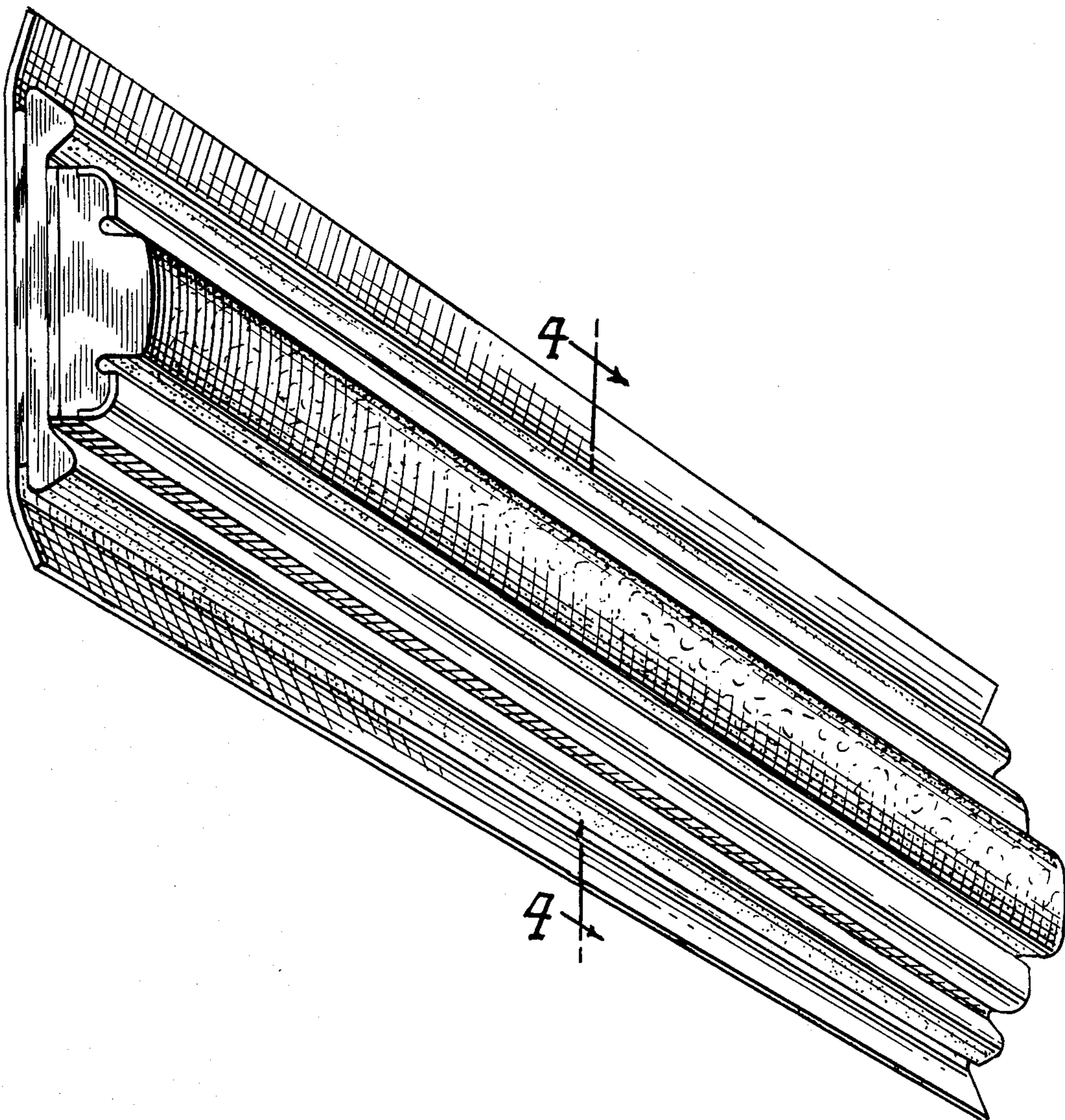
Primary Examiner—A. Hugo Word
Attorney, Agent, or Firm—Max Dressler

[57] CLAIM

The ornamental design for a combined trim strip and removable paper backing therefor, as shown.

DESCRIPTION

FIG. 1 is a perspective view of a combined trim strip and removable paper backing therefor supported on a paper backing showing the top, one side, and an end of the new design;
FIG. 2 is a top plan view thereof;
FIG. 3 is a side view thereof; and
FIG. 4 is a section view taken through 4-4 of FIG. 3.



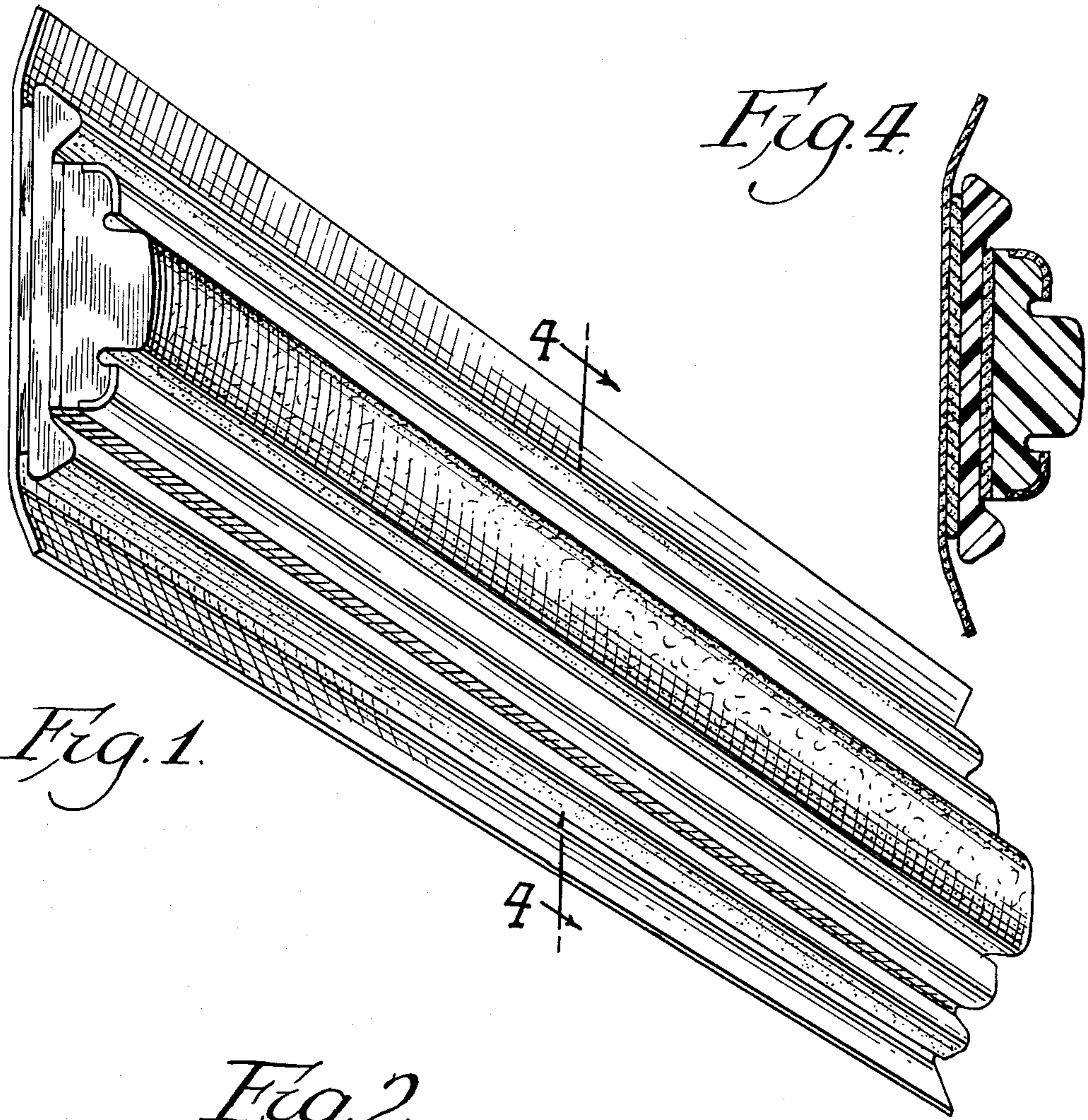


Fig. 1.

Fig. 4.

Fig. 2.

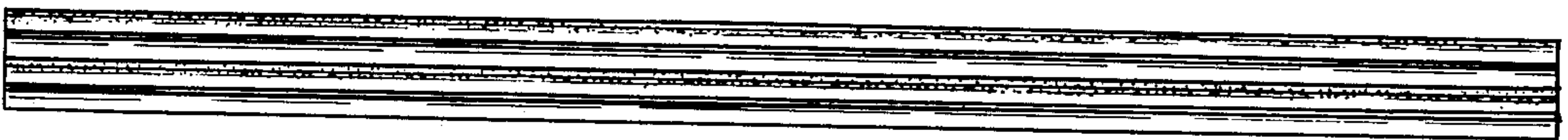
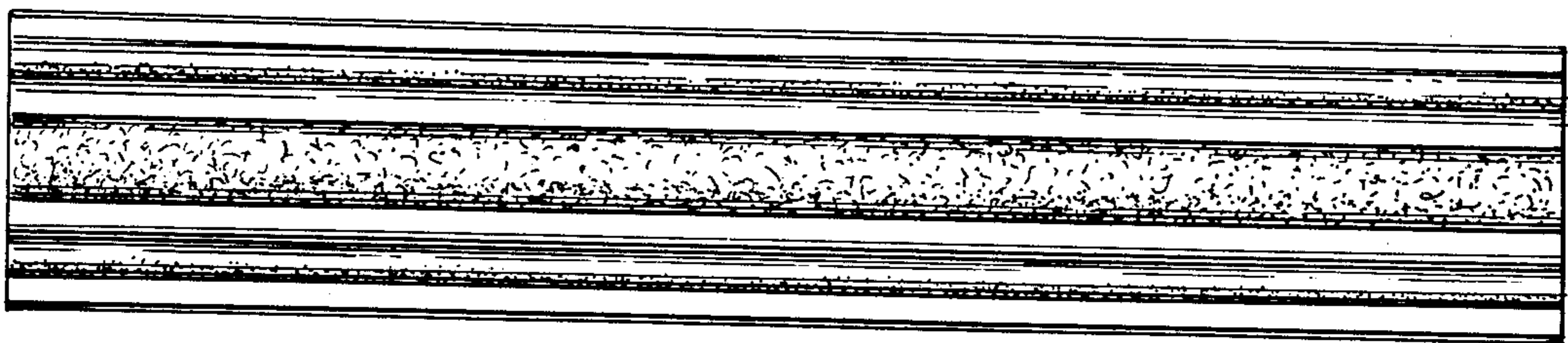


Fig. 3.