

[54] COUPLING

[76] Inventor: Howard Archibald Treloar, 52 Maitland St., Mitcham, Australia, 5062

[**] Term: 14 Years

[21] Appl. No.: 672,834

[22] Filed: Apr. 1, 1976

[51] Int. Cl. D23-01

[52] U.S. Cl. D23/43

[58] Field of Search D23/40-47; 285/73-79

[56] References Cited

U.S. PATENT DOCUMENTS

- D. 128,314 7/1941 Kelly D23/43
- D. 224,107 7/1972 Mastis D23/43

- 486,118 11/1892 McElroy 285/74
- 1,914,368 6/1933 Goodall 285/73
- 3,831,984 8/1974 Kutina et al. 285/73

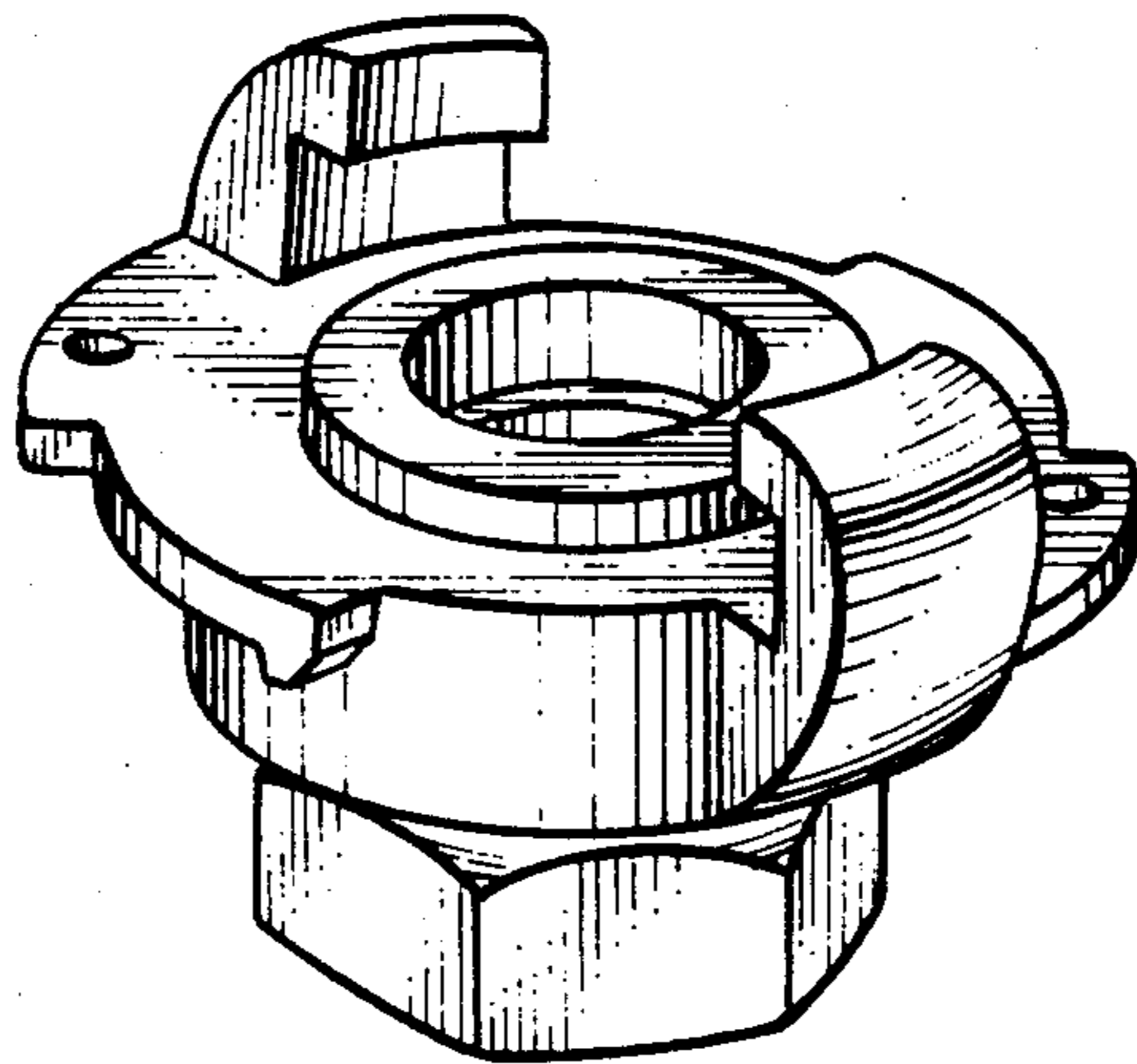
Primary Examiner—James R. Largen
Attorney, Agent, or Firm—Eric H. Waters

[57] CLAIM

The ornamental design for a coupling, as shown and described.

DESCRIPTION

FIG. 1 is a top perspective view of a coupling showing my new design;
 FIG. 2 is a bottom perspective view thereof;
 FIG. 3 is a top perspective view of a modified form of the coupling shown in FIG. 1;
 FIG. 4 is a bottom perspective view of FIG. 3;
 FIG. 5 is a top perspective view of a second modified form of the coupling shown in FIG. 1; and
 FIG. 6 is a bottom perspective view of FIG. 5.



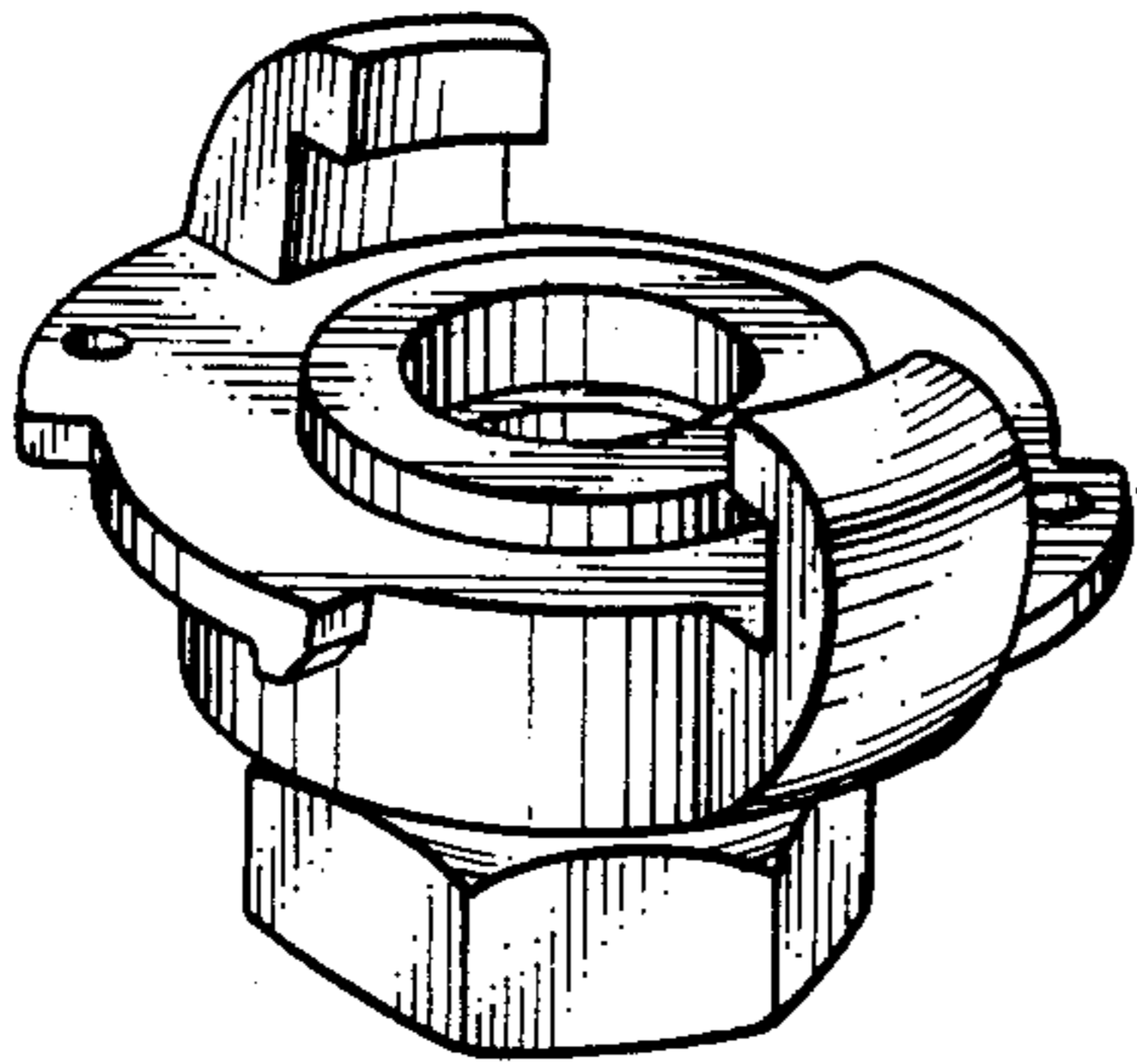


FIG 1

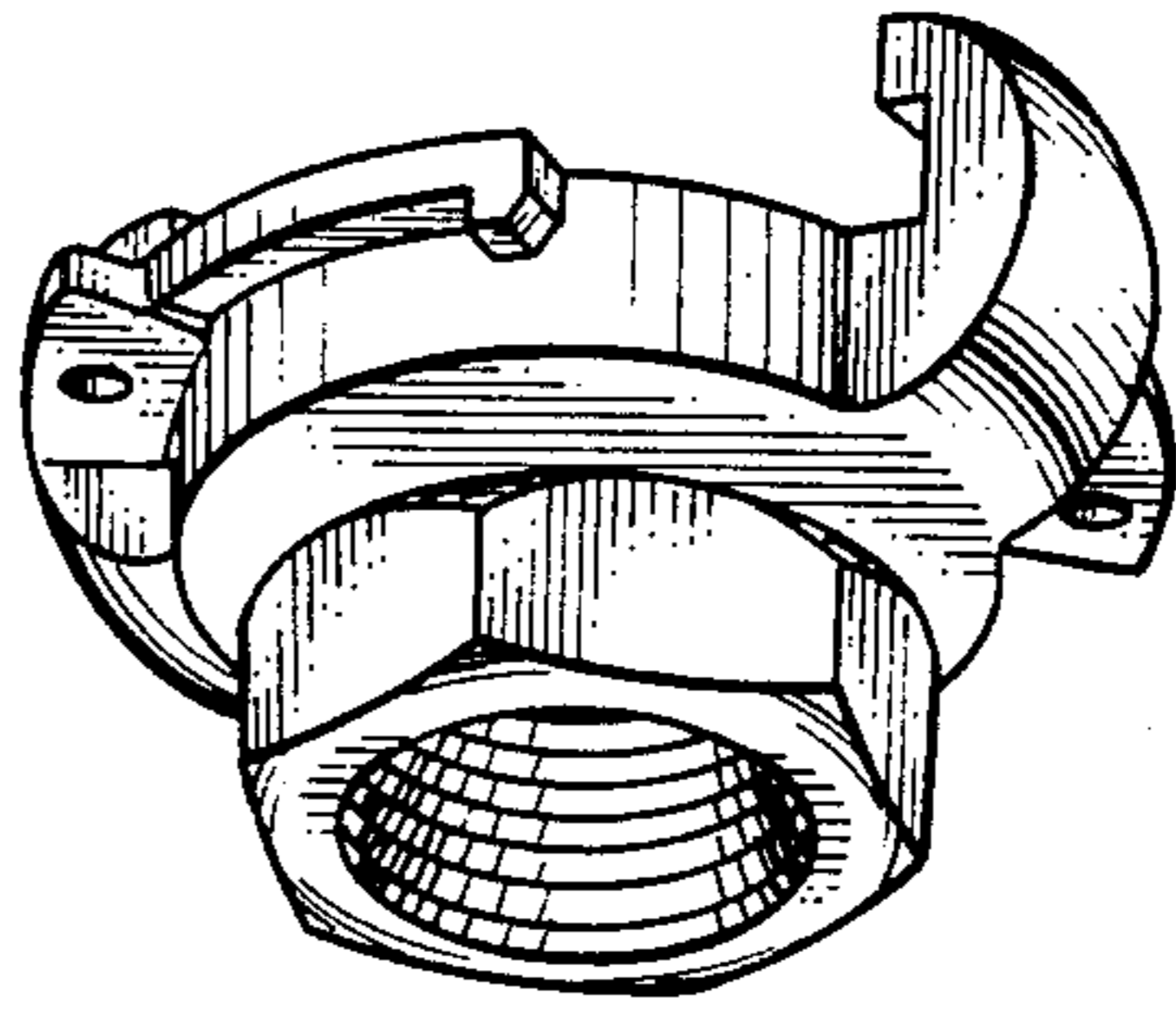


FIG 2

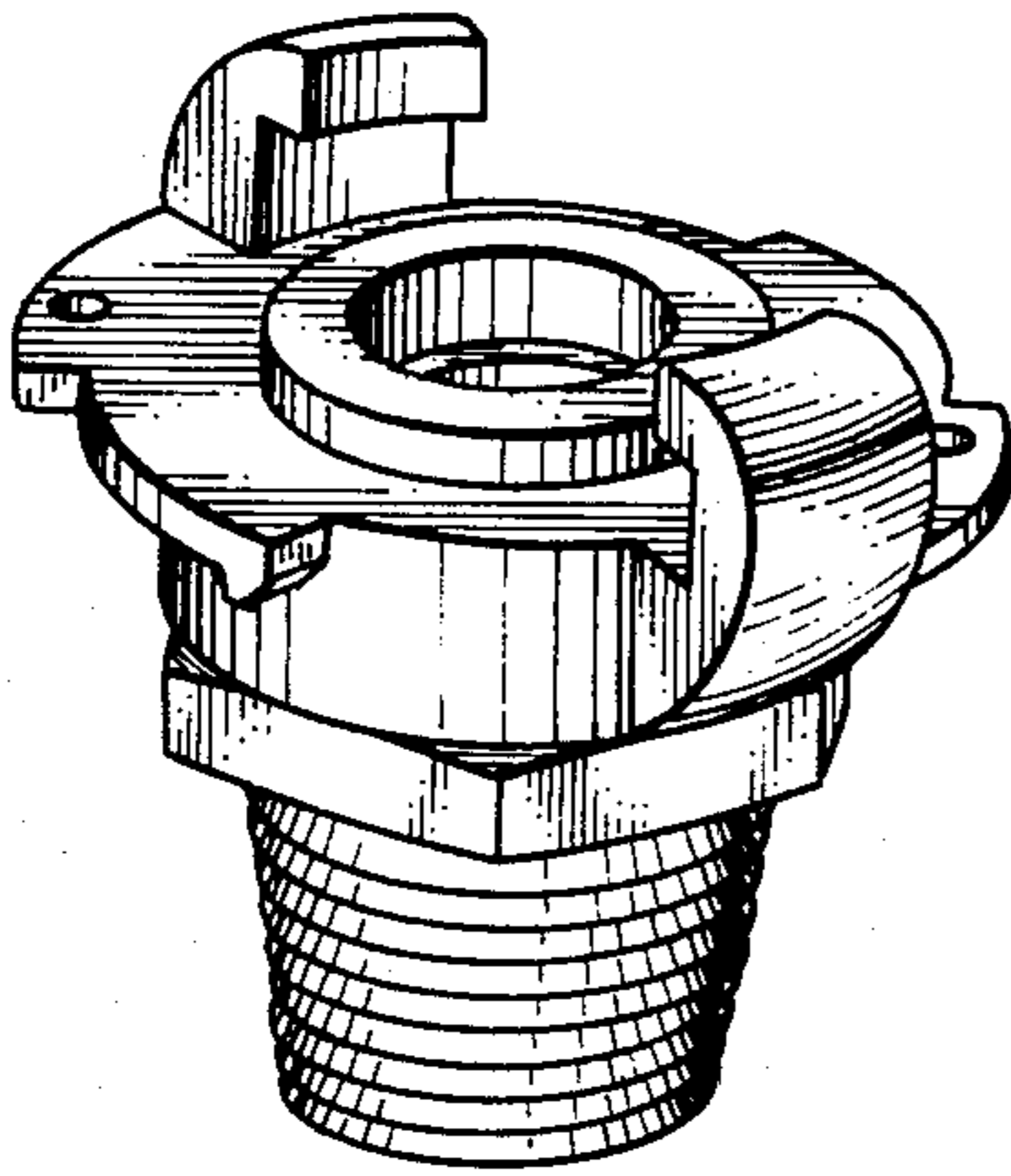


FIG 3

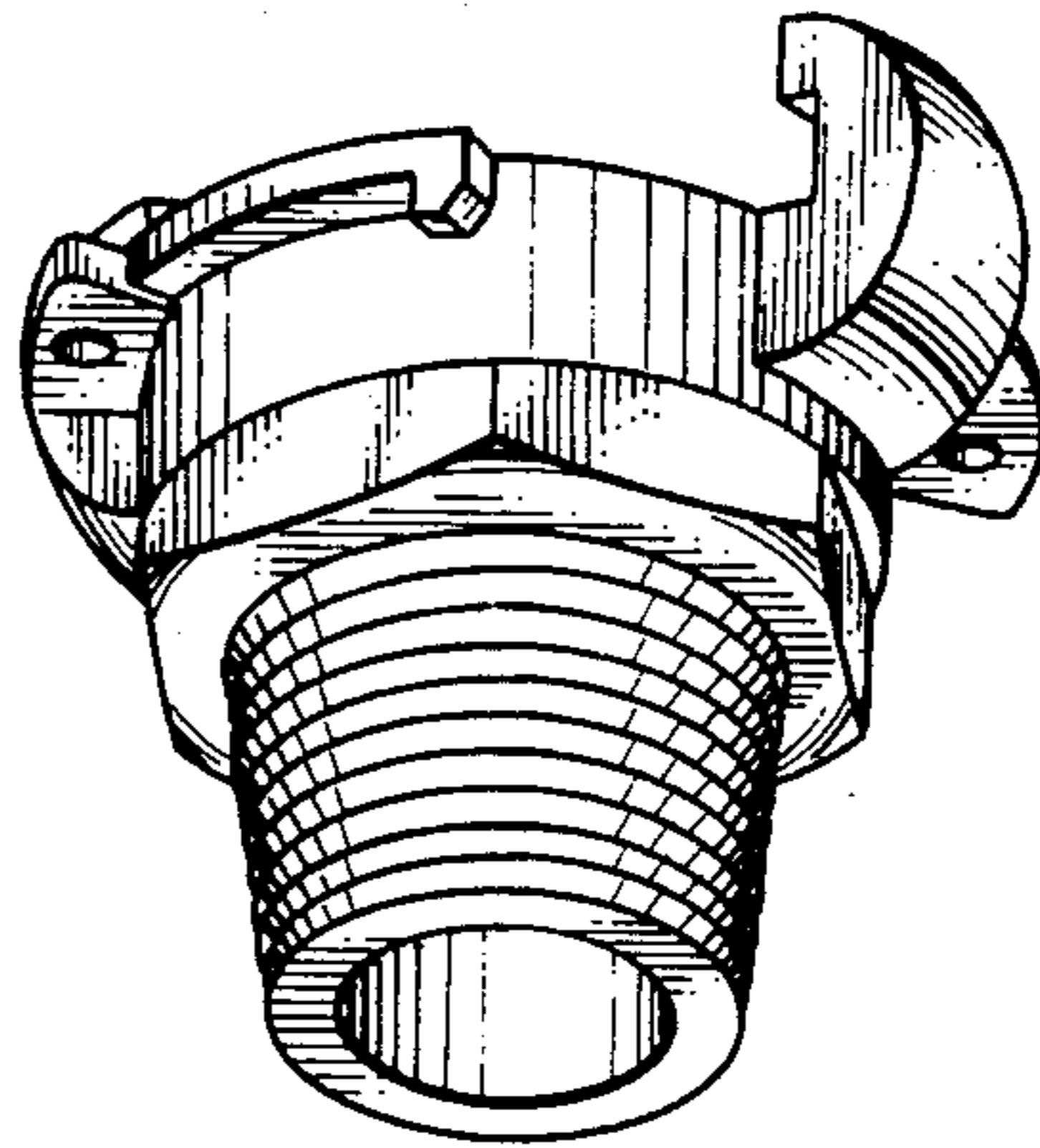


FIG 4

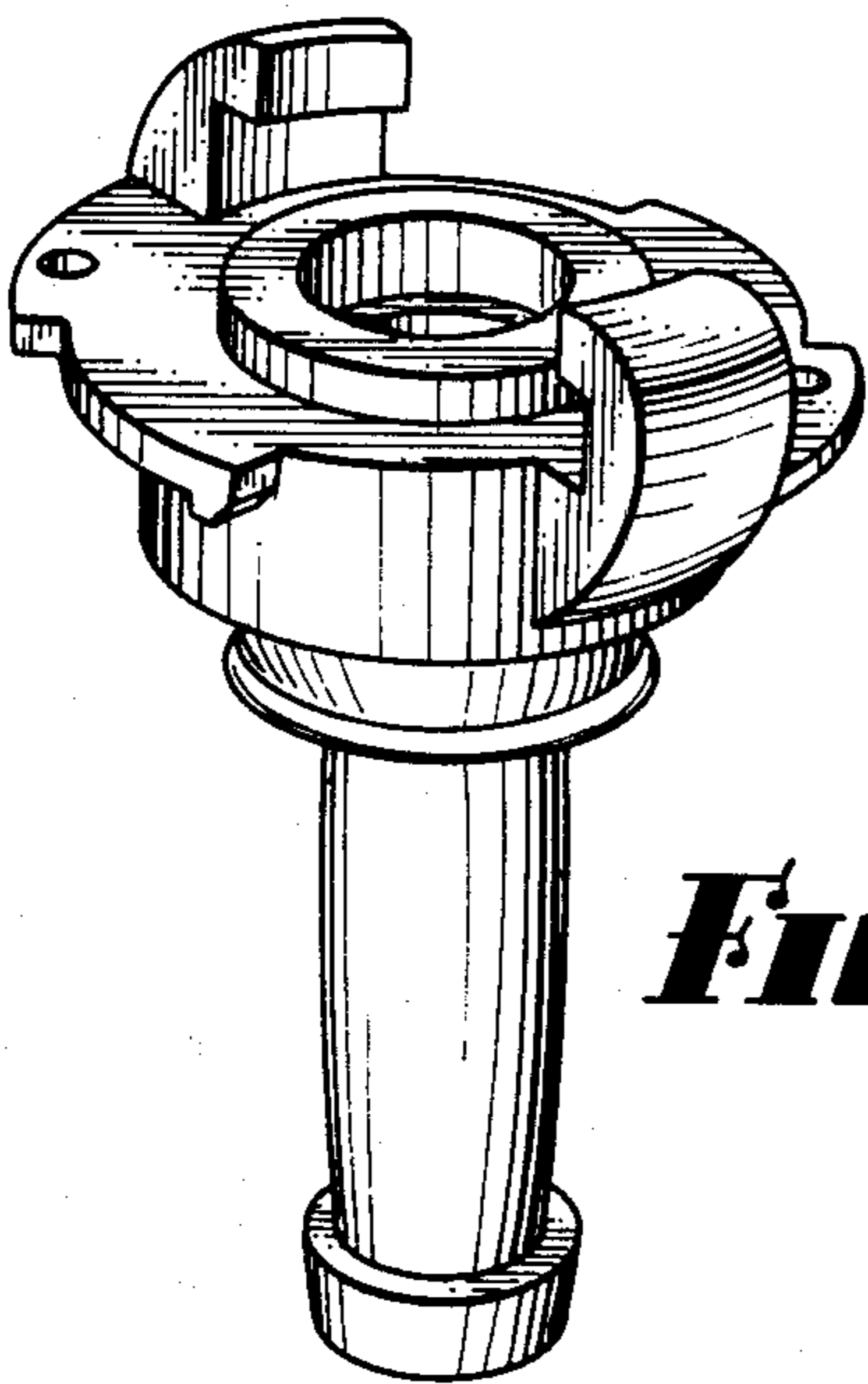


FIG 5

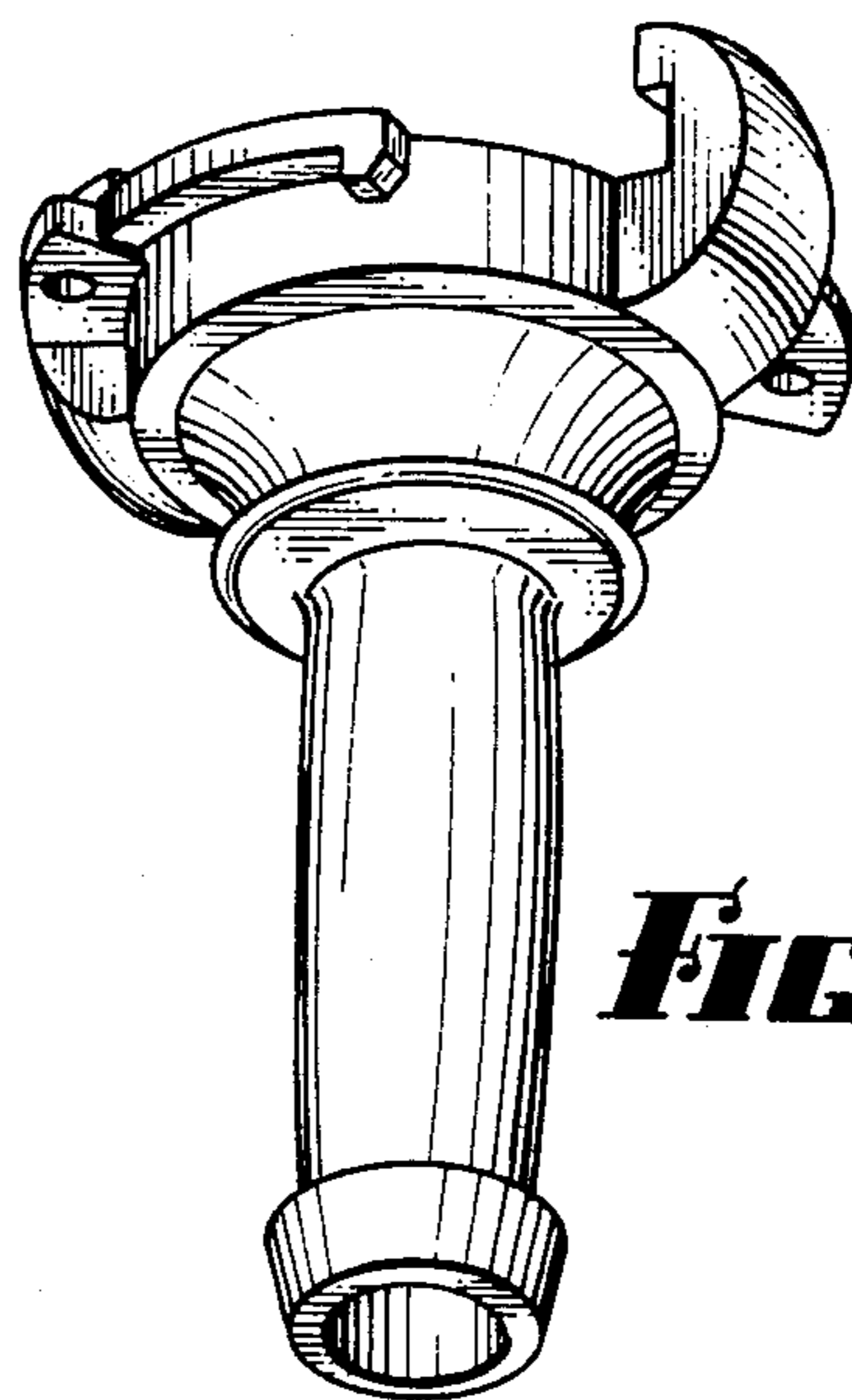


FIG 6