

[54] **RODENT BAIT FEEDING BOX OR SIMILAR ARTICLE**

[75] Inventor: **Stanley Z. Baker**, Cleveland Heights, Ohio

[73] Assignee: **J. T. Eaton & Company**, Cleveland, Ohio

[**] Term: **14 Years**

[21] Appl. No.: **705,689**

[22] Filed: **July 15, 1976**

[51] Int. Cl. **D22-06**

[52] U.S. Cl. **D22/18**

[58] Field of Search **D22/18; 43/58, 60, 131; D9/219, 237, 240, 193; 229/25**

[56] **References Cited**

U.S. PATENT DOCUMENTS

D. 193,952	10/1962	Reifers	D9/219
D. 229,329	11/1973	Jansen	D9/219 X
D. 236,114	7/1975	Baker	D22/18
D. 241,622	9/1976	Smith	D9/219 X

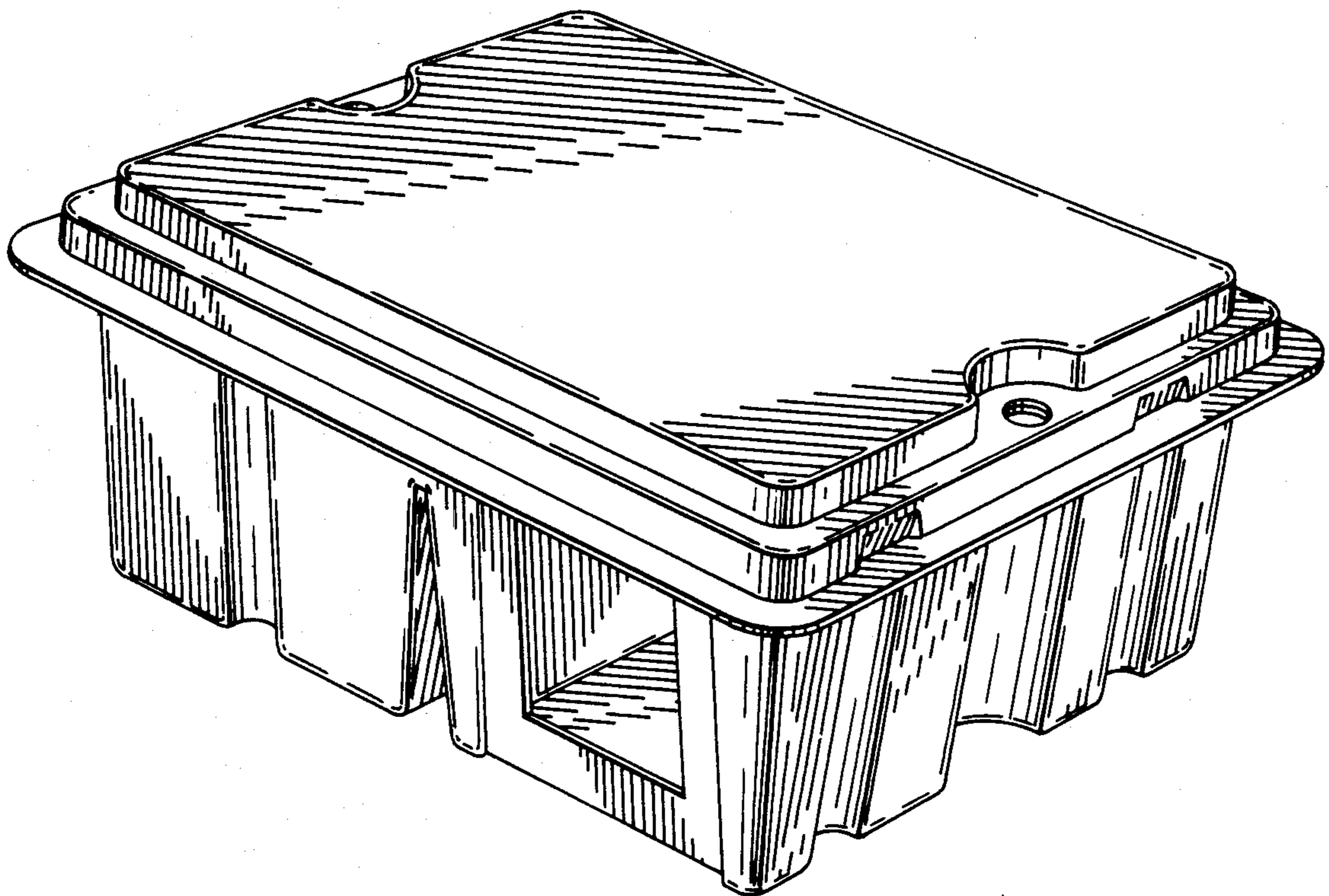
Primary Examiner—A. Hugo Word

[57] **CLAIM**

The ornamental design for a rodent bait feeding box or similar article, as shown and described.

DESCRIPTION

FIG. 1 is a perspective view of a rodent bait feeding box showing one embodiment of my new design;
 FIG. 2 is a side view of the embodiment shown in FIG. 1;
 FIG. 3 is a side view of the embodiment shown in FIG. 1 opposite that shown in FIG. 2;
 FIG. 4 is a front view of the embodiment of FIG. 1;
 FIG. 5 is a bottom view of the embodiment of FIG. 1;
 FIG. 6 is a perspective view of a rodent bait feeding box showing another embodiment of my new design;
 FIG. 7 is a front view of the embodiment shown in FIG. 6;
 FIG. 8 is a rear view of the embodiment shown in FIG. 6;
 FIG. 9 is a side view of the embodiment shown in FIG. 6;
 FIG. 10 is a bottom view of the embodiment shown in FIG. 6.



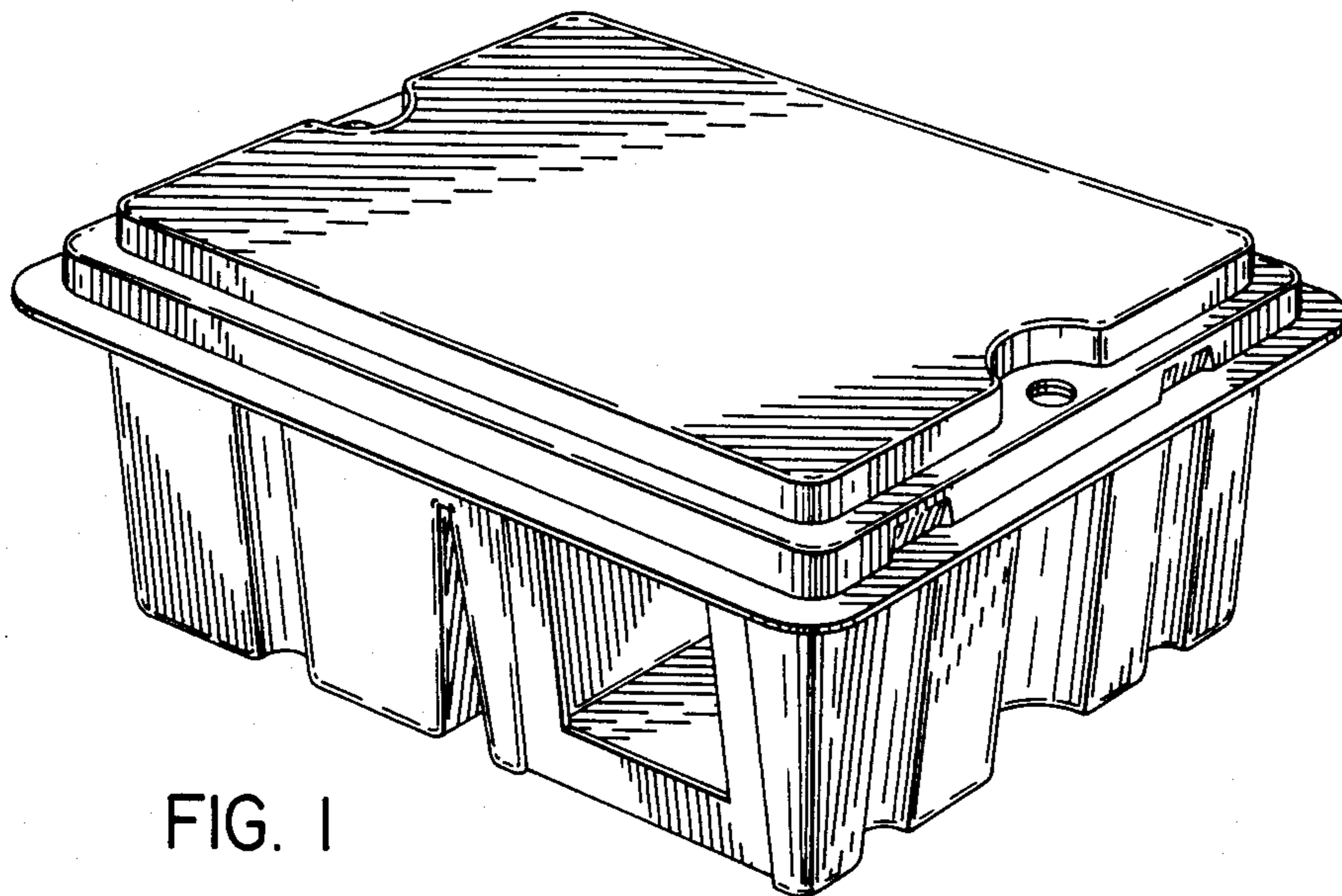


FIG. 1

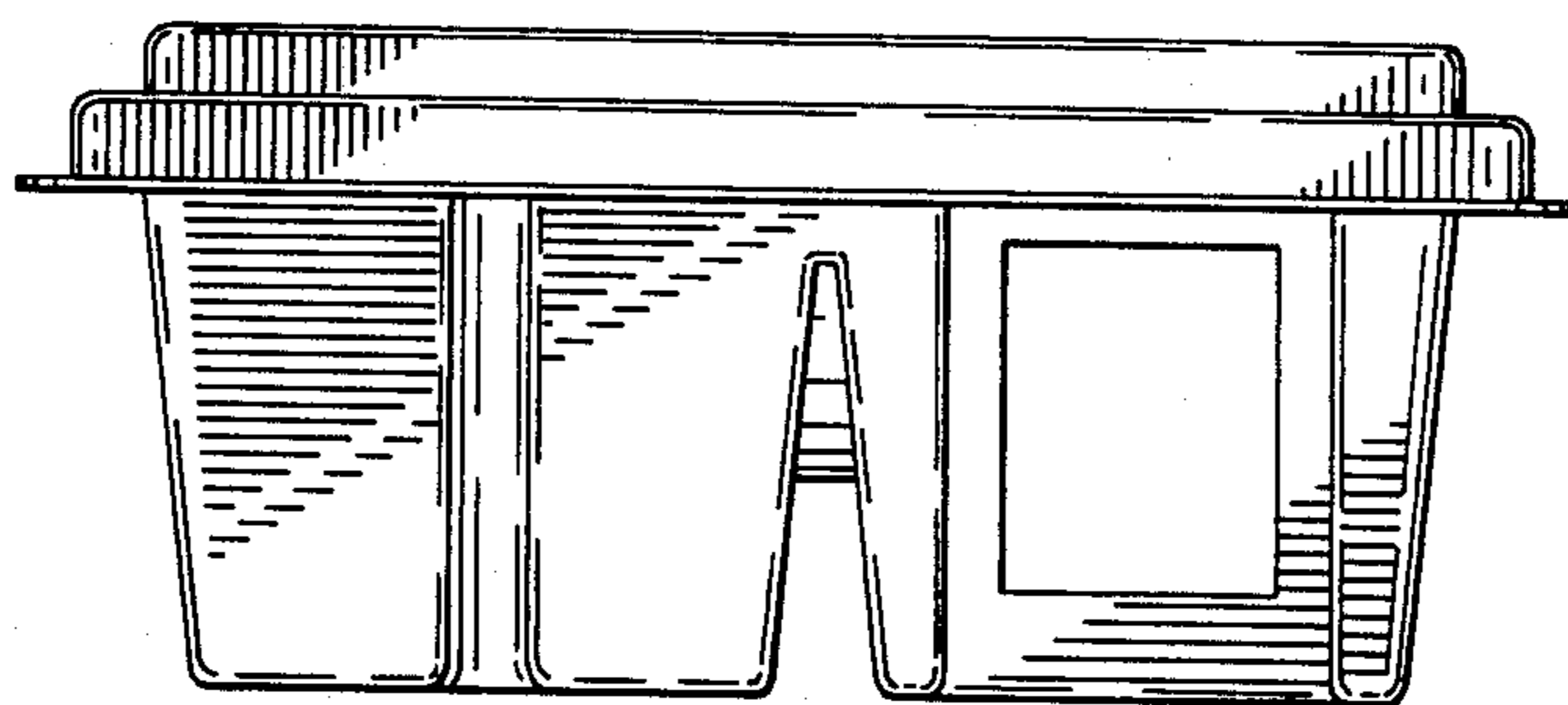


FIG. 2

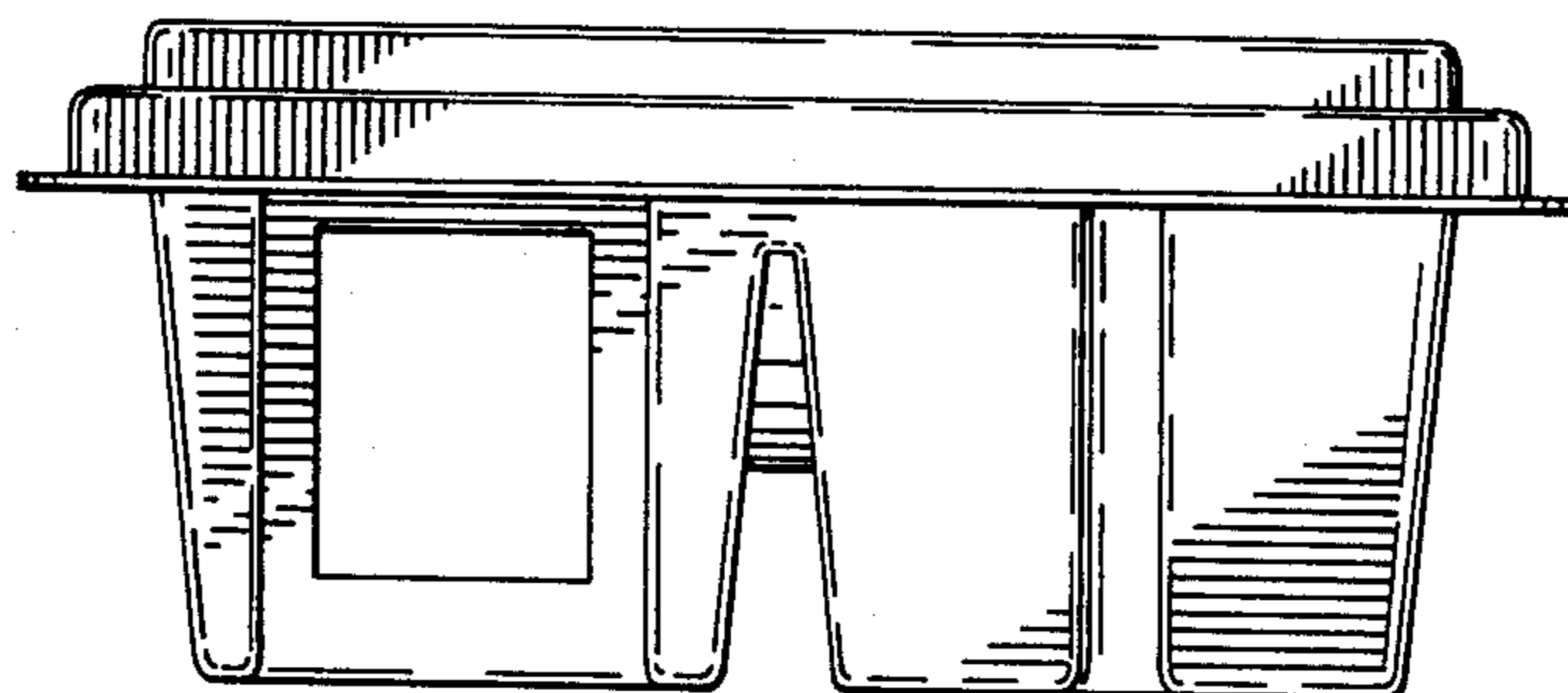


FIG. 3

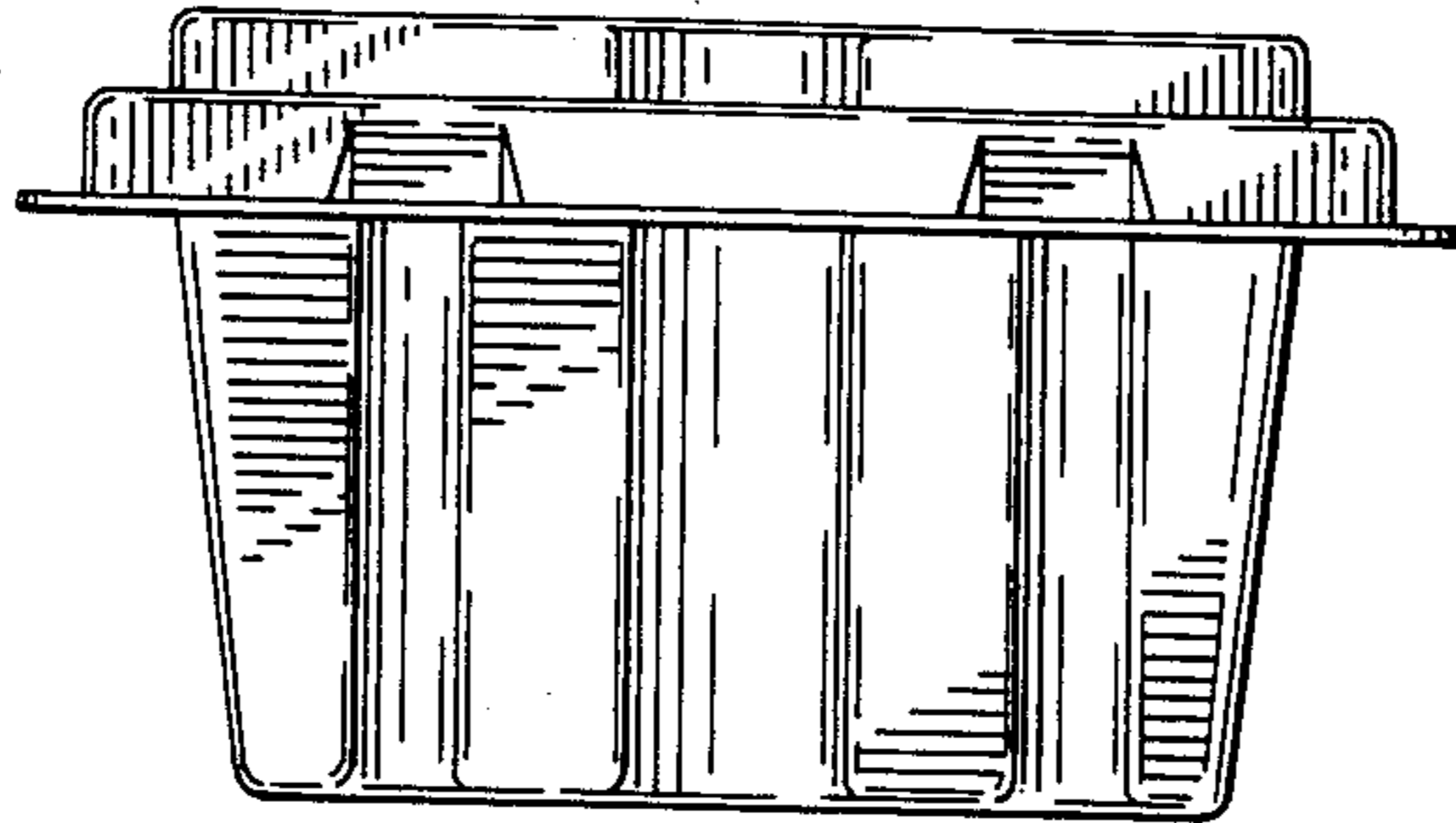


FIG. 4

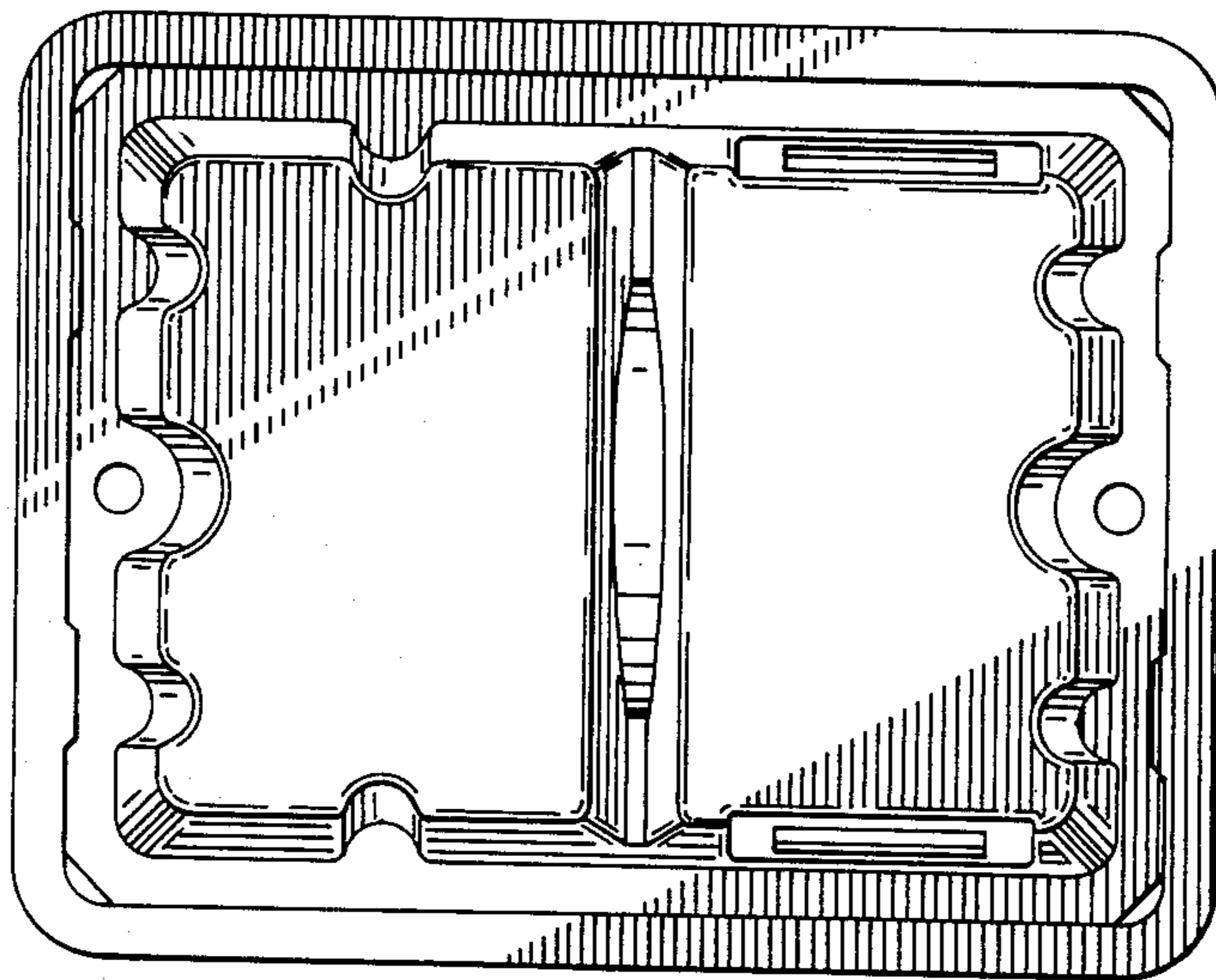


FIG. 5

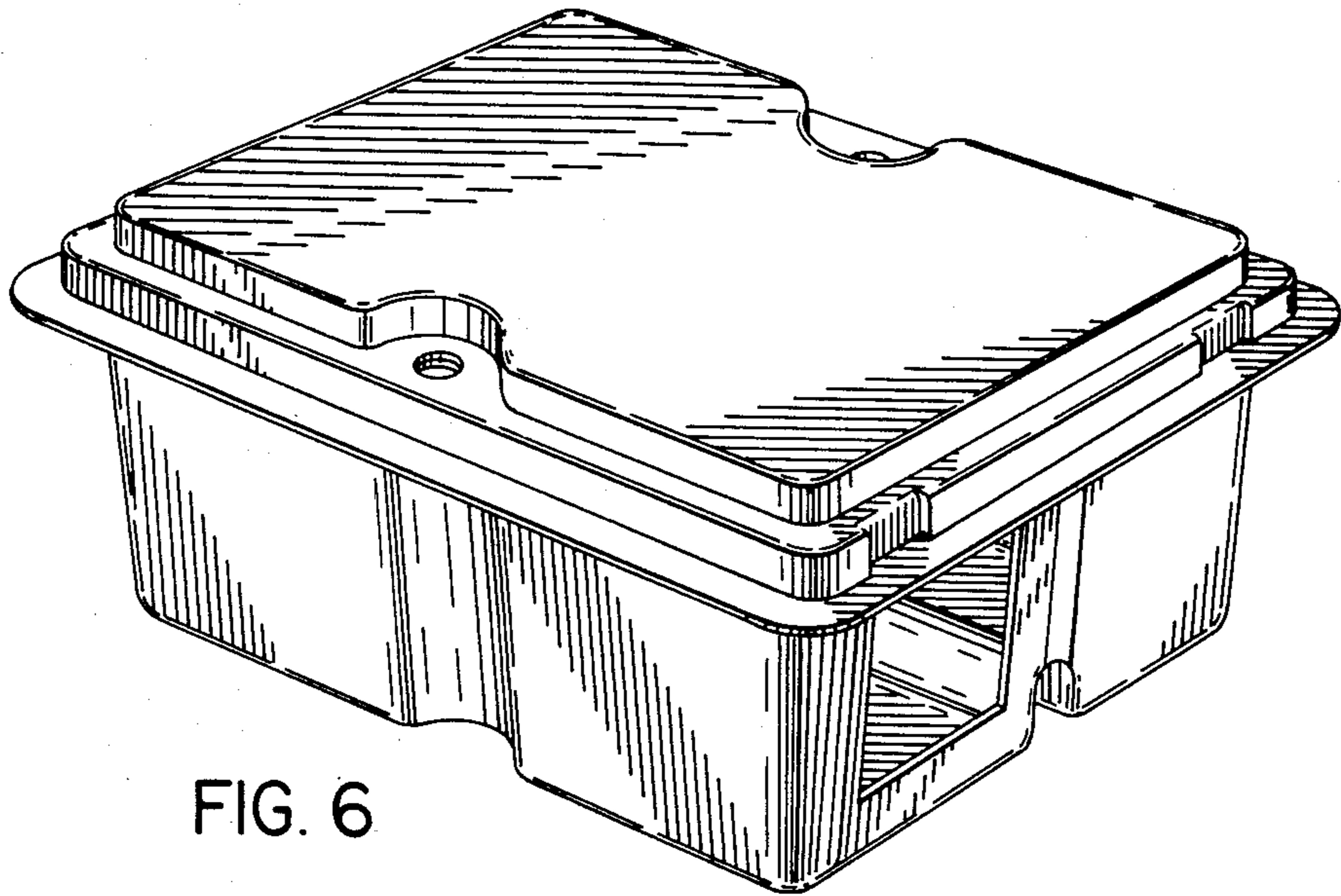


FIG. 6

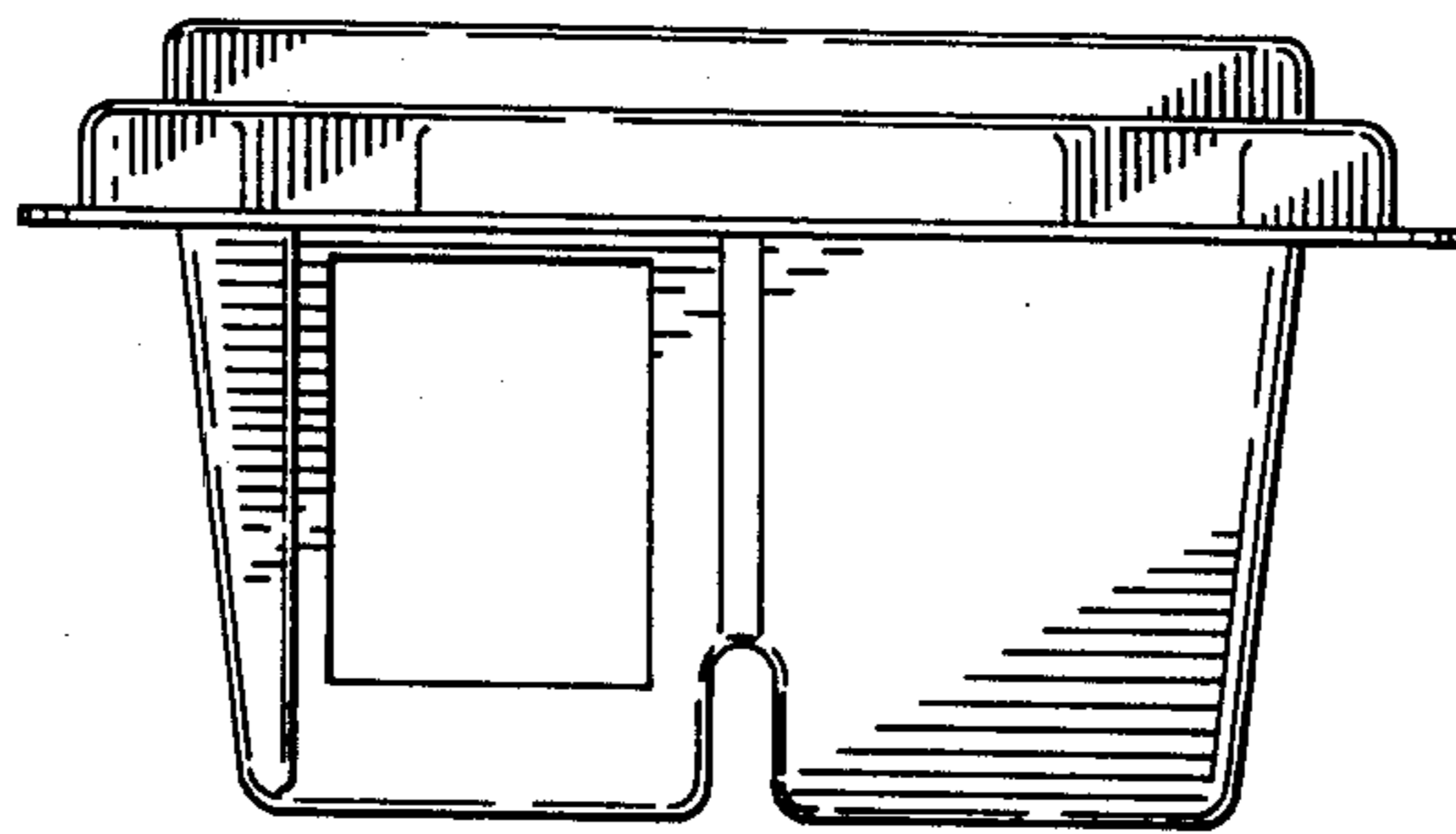


FIG. 7

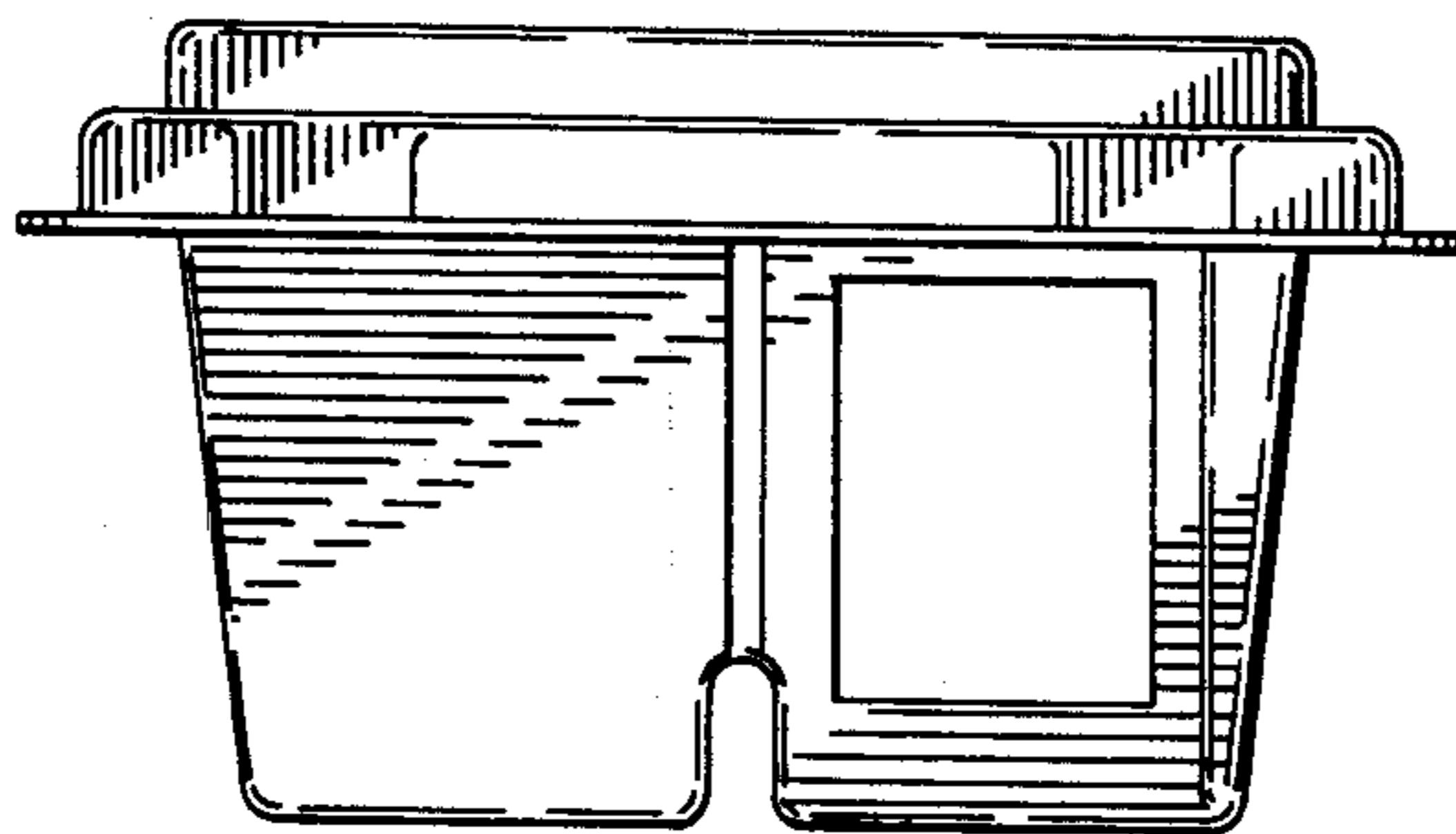


FIG. 8

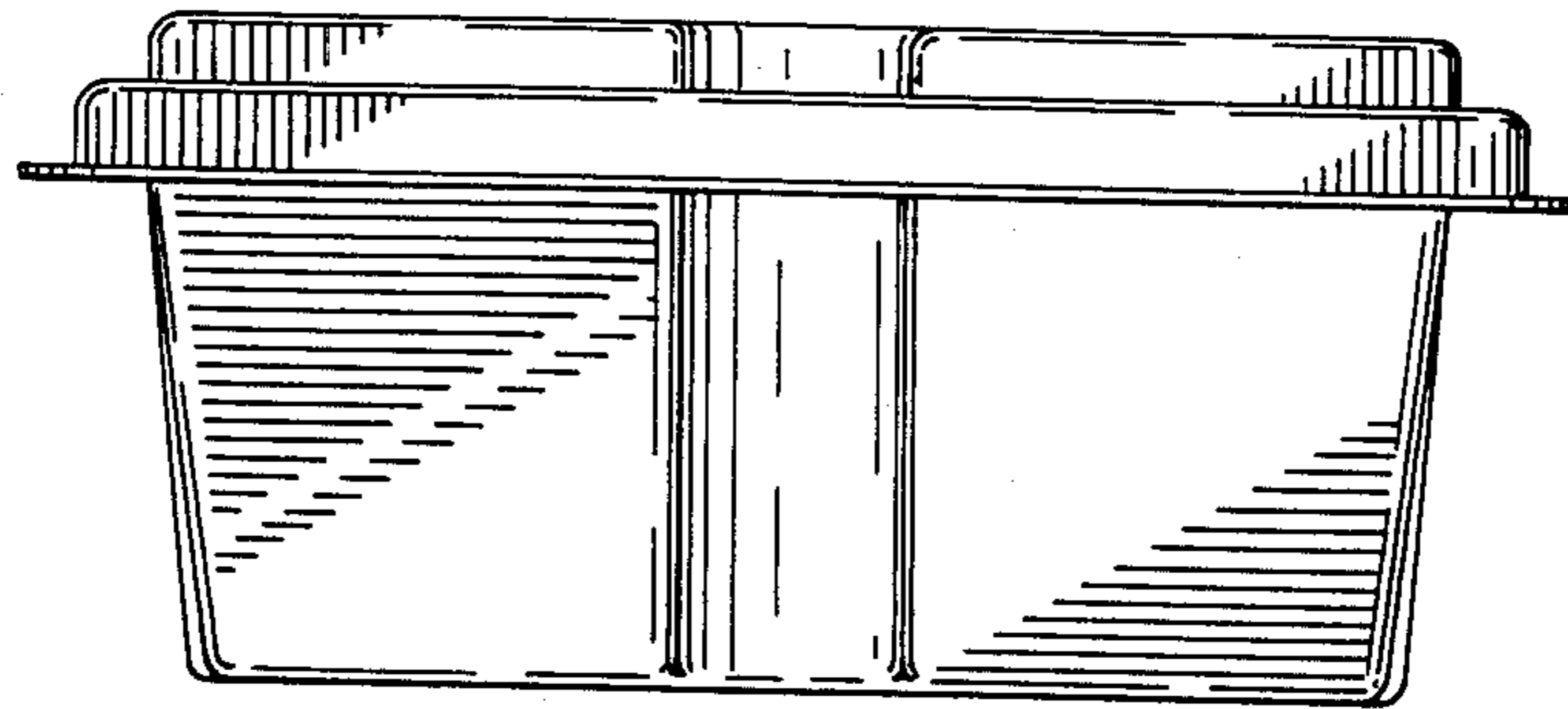


FIG. 9

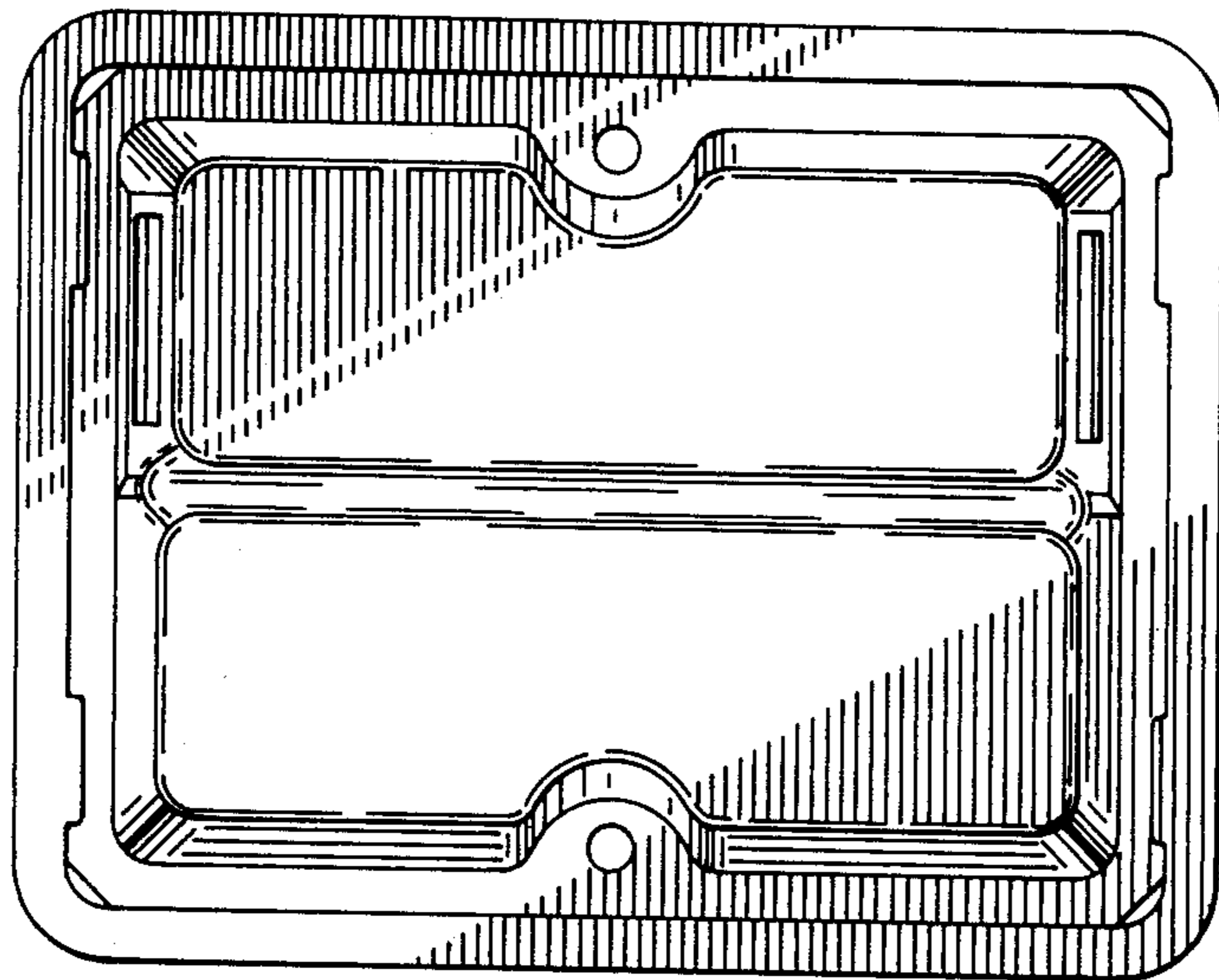


FIG. 10