

[54] TELEPHONE JACK HOUSING AND COVER

[75] Inventor: James C. Deitch, Bloomington, Minn.

[73] Assignee: Magnetic Controls Company, Minneapolis, Minn.

[\*\*] Term: 14 Years

[21] Appl. No.: 690,371

[22] Filed: May 27, 1976

[51] Int. Cl. .... D14-99; D13-99

[52] U.S. Cl. .... D14/59

[58] Field of Search ..... 179/96, 97, 91 R, 91 A; D14/59; D13/24, 23; 174/60, 72 R, 72 C

[56] References Cited

U.S. PATENT DOCUMENTS

D. 203,828	2/1966	Wells	.....	D13/23
D. 210,949	5/1968	Ratner	.....	D14/59
D. 236,481	8/1975	Johnson	.....	D13/24
833,390	10/1906	Holmes et al.	.....	179/97

1,193,239	8/1916	Cook	.....	179/97
3,911,229	10/1975	De Luca et al.	.....	179/97

Primary Examiner—Bernard Ansher  
Attorney, Agent, or Firm—Neil B. Schulte

[57] CLAIM

An ornamental design for a telephone jack housing and cover, as shown and described.

DESCRIPTION

FIG. 1 is a perspective view of the telephone jack housing and cover;

FIG. 2 is an elevational view of the side of the housing and cover of FIG. 1, the opposite side being an identical mirror image thereof;

FIG. 3 is a top view of the housing and cover;

FIG. 4 is a bottom view of the housing and cover;

FIG. 5 is an end view of the housing and cover;

FIG. 6 is an end view of the other end of the housing and cover; and

FIG. 7 is a view of the separated housing and cover to assist in disclosing the separation line therebetween.

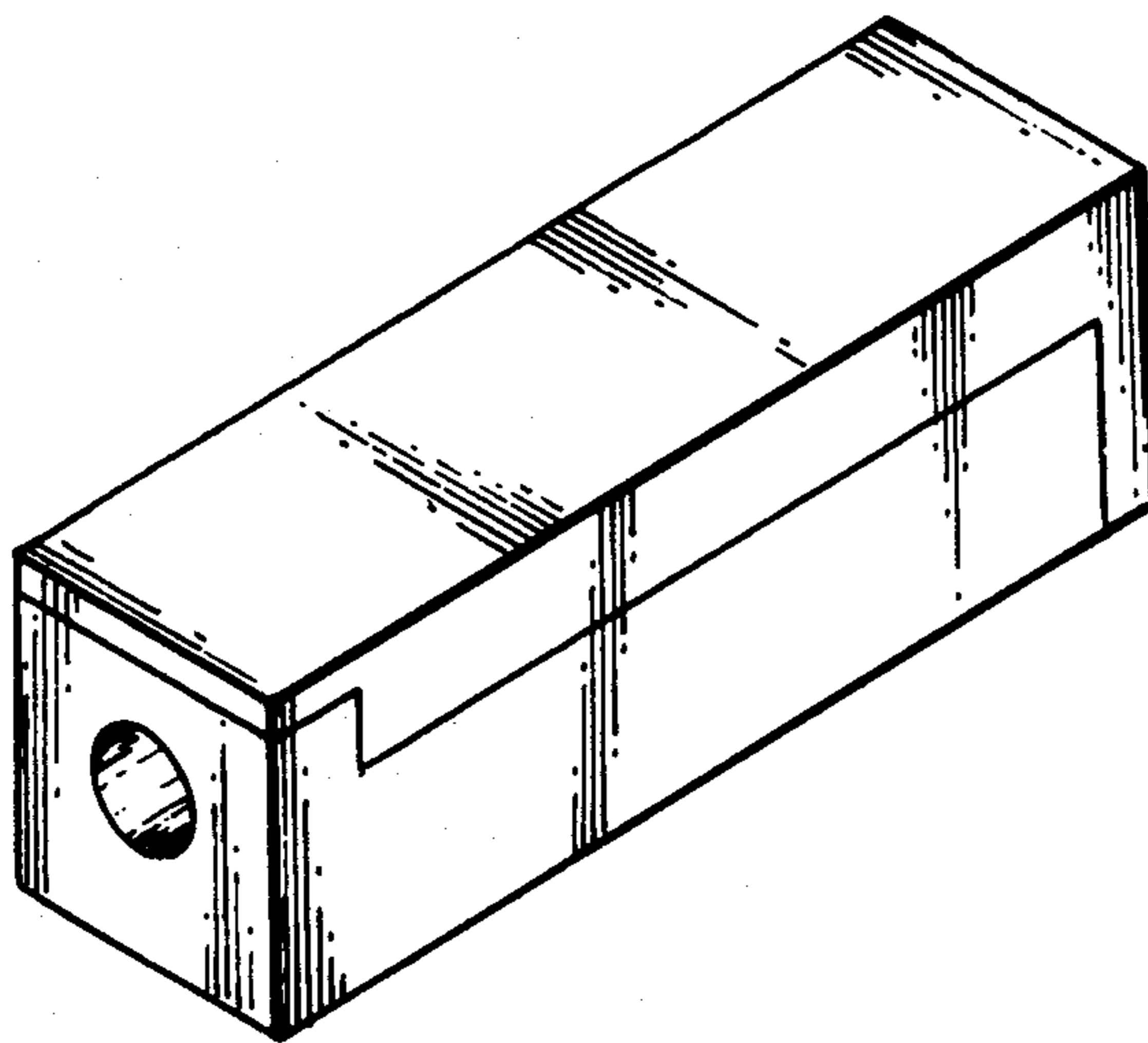


FIG. 1

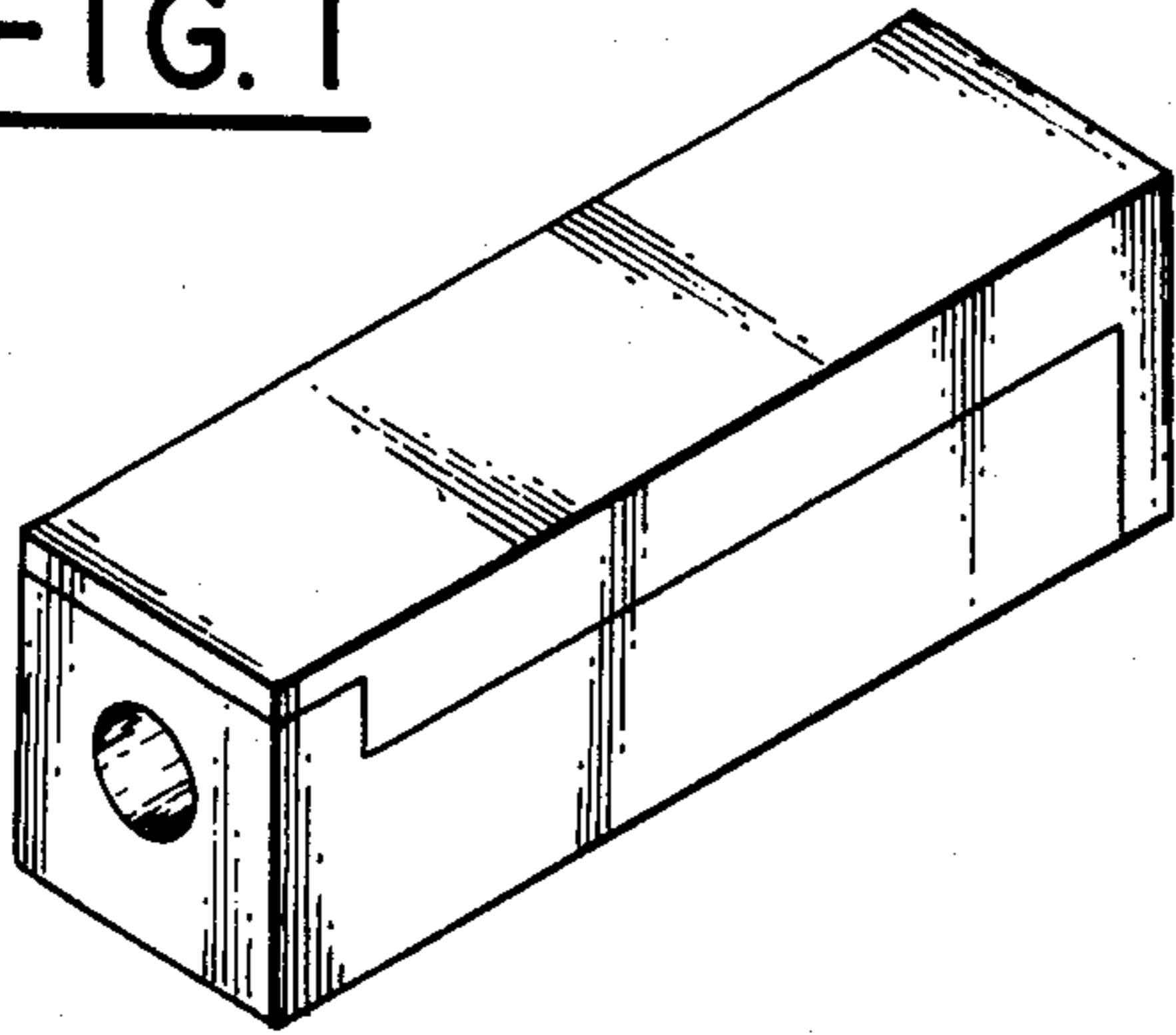


FIG. 2

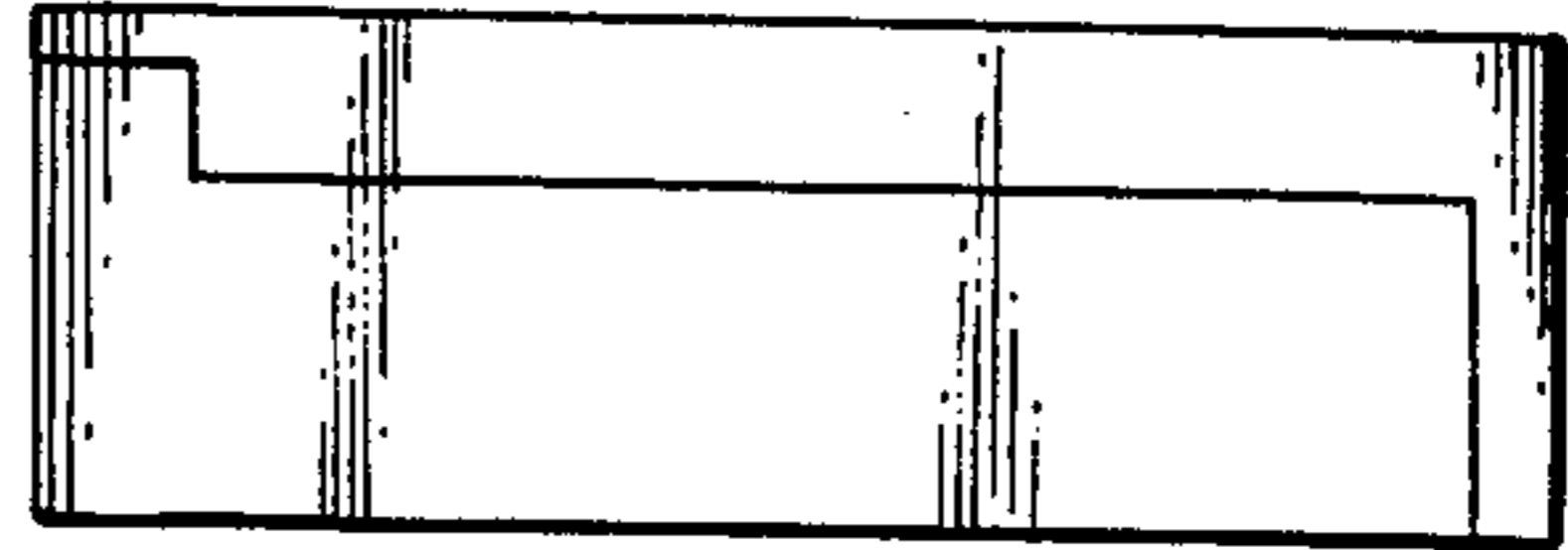


FIG. 3

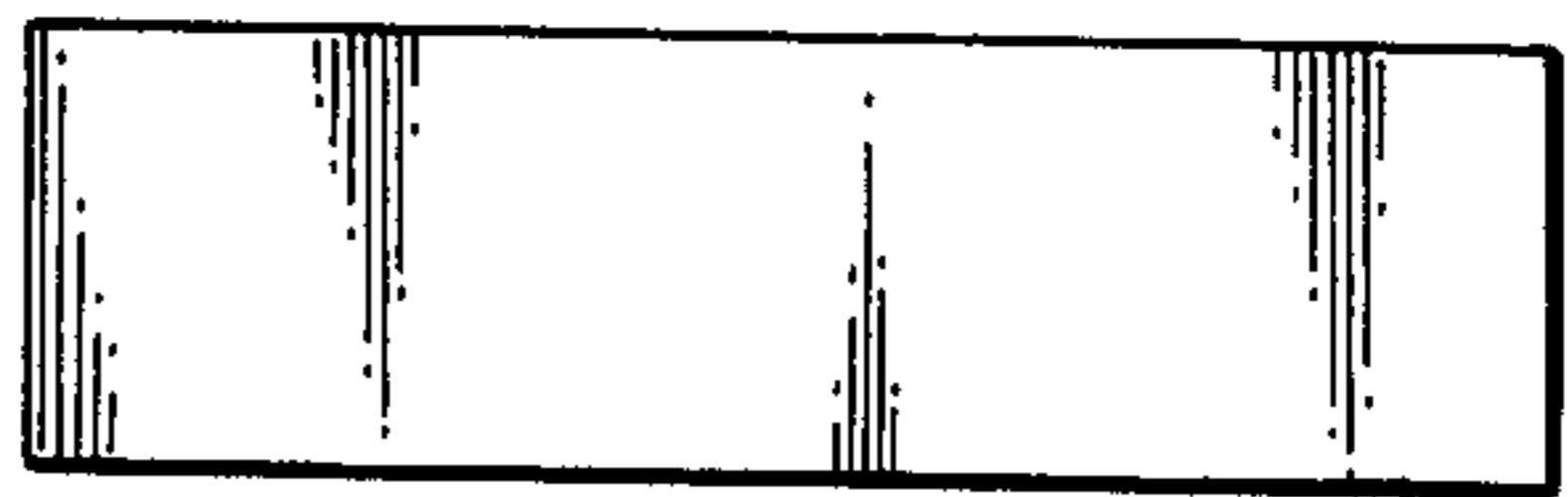


FIG. 4

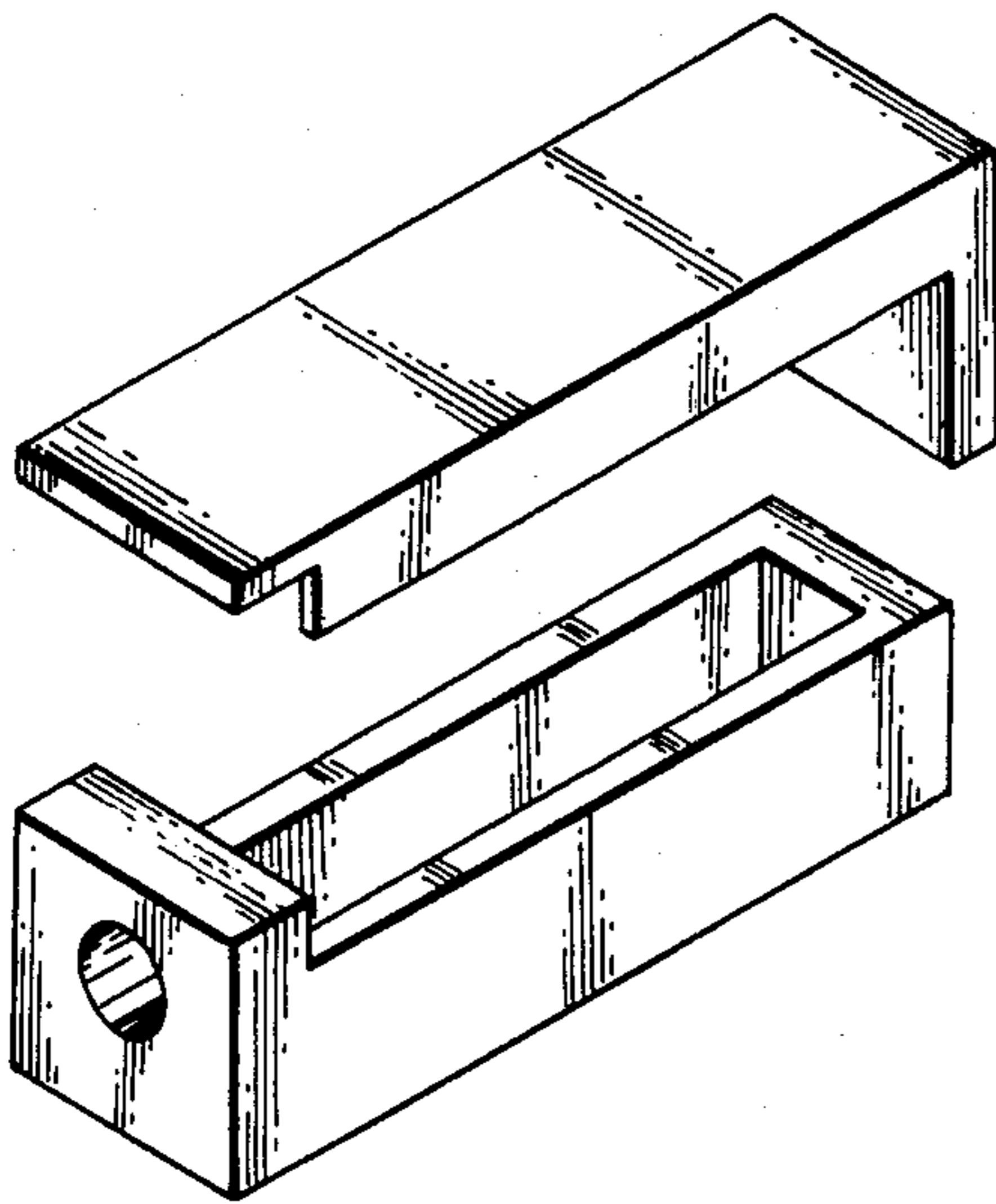
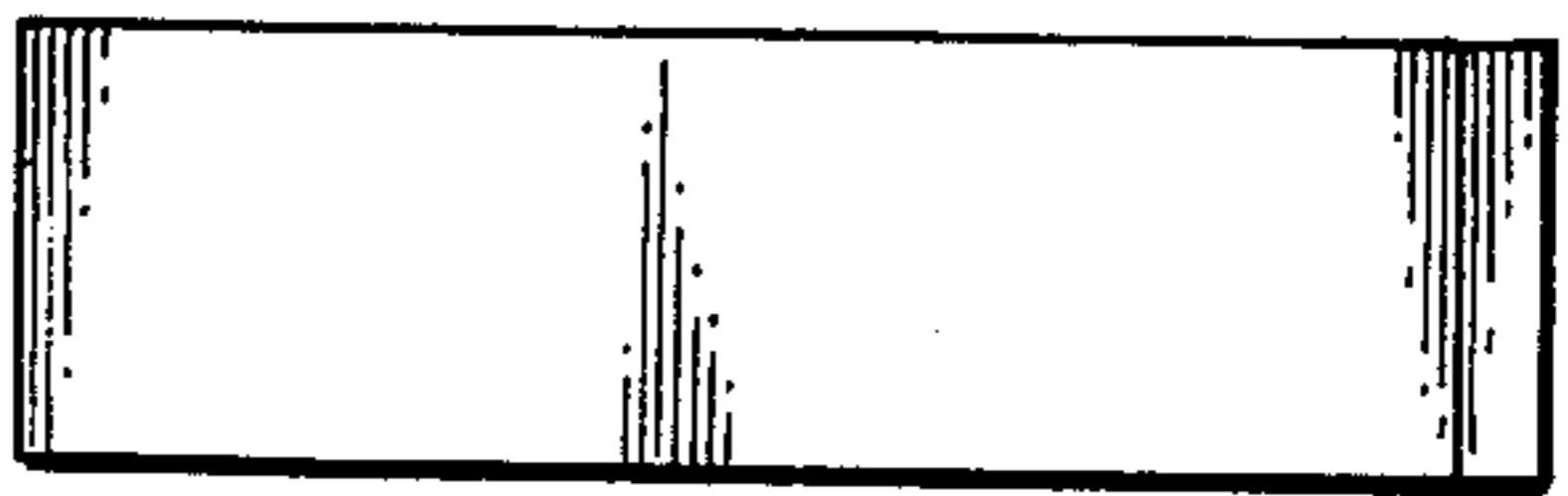


FIG. 7

FIG. 5

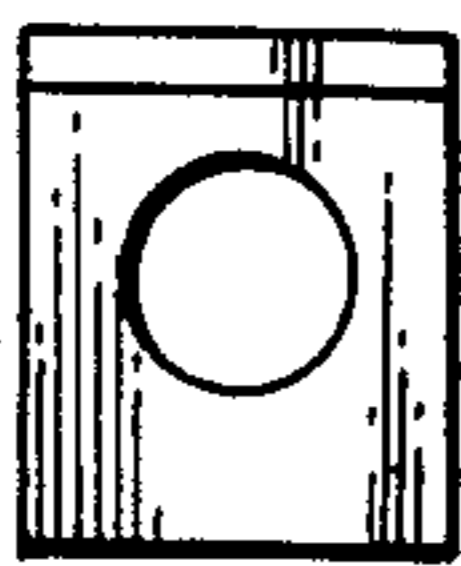


FIG. 6

