

[54] BALE HANDLING APPARATUS

[75] Inventors: Donald L. Sheesley, New Holland; Allison W. Blanshine, Lititz, both of Pa.

[73] Assignee: Sperry Rand Corporation, New Holland, Pa.

[\*\*] Term: 14 Years

[21] Appl. No.: 649,379

[22] Filed: Jan. 15, 1976

[51] Int. Cl. .... D15-03

[52] U.S. Cl. .... D15/32

[58] Field of Search ..... D40/1 R, 1 E, 5 B; D12/54, 60; 294/67 A, 67 AA, 67 AB; 214/620, 144, 145 R, 145 A, 750, 766

[56] References Cited

U.S. PATENT DOCUMENTS

3,985,246 10/1976 Seymour ..... 214/82  
4,002,147 1/1977 Feterl ..... D15/32

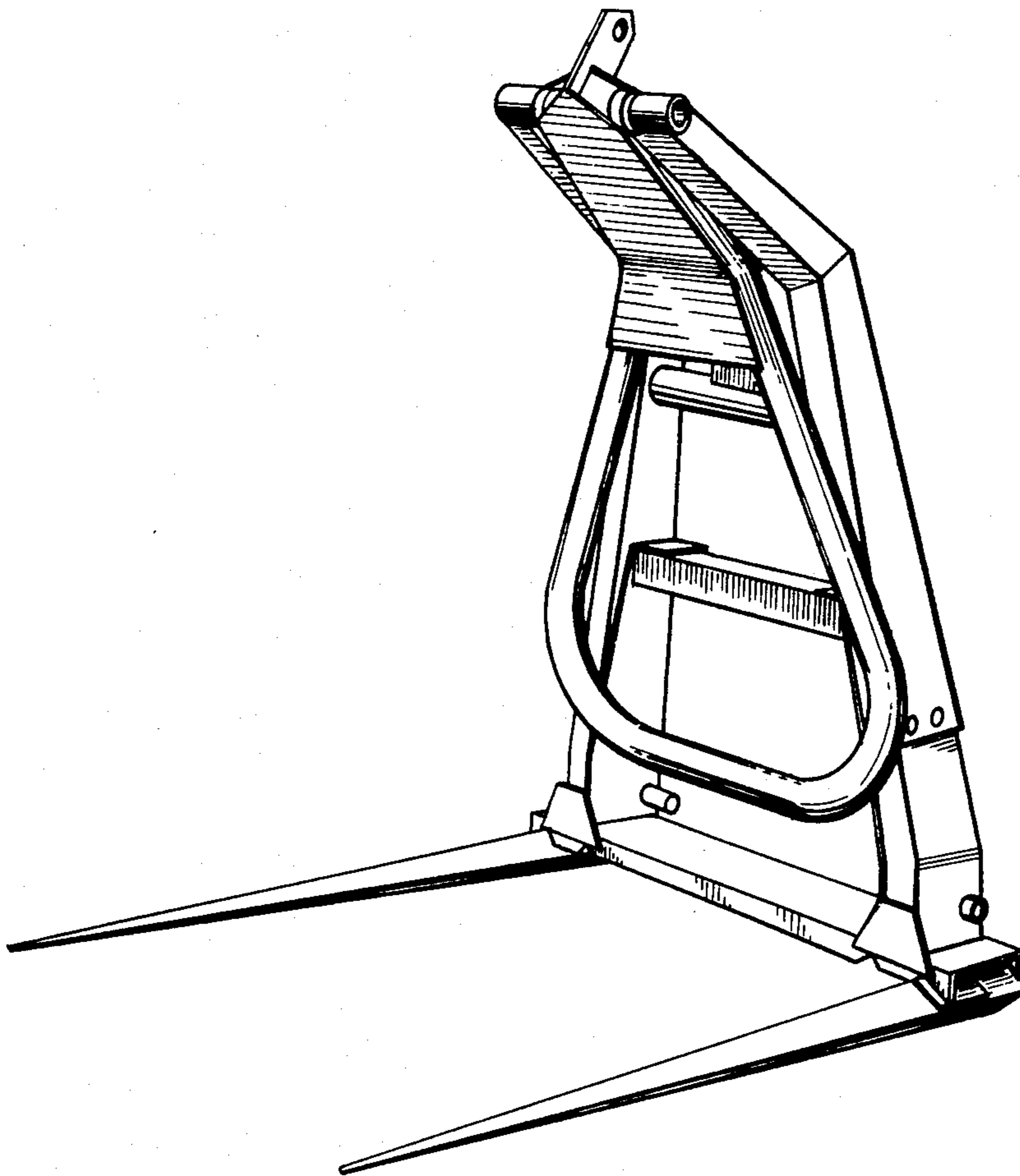
Primary Examiner—Wallace R. Burke  
Assistant Examiner—James M. Gandy  
Attorney, Agent, or Firm—Frank A. Seemar

[57] CLAIM

The ornamental design for a bale handling apparatus, as shown.

DESCRIPTION

FIG. 1 is a left front perspective view of a bale handling apparatus showing our new design; FIG. 2 is a front perspective view thereof; FIG. 3 is a right side elevational view thereof; FIG. 4 is a left side elevational view thereof with the bale discharge means extended; and FIG. 5 is a top plan view thereof.



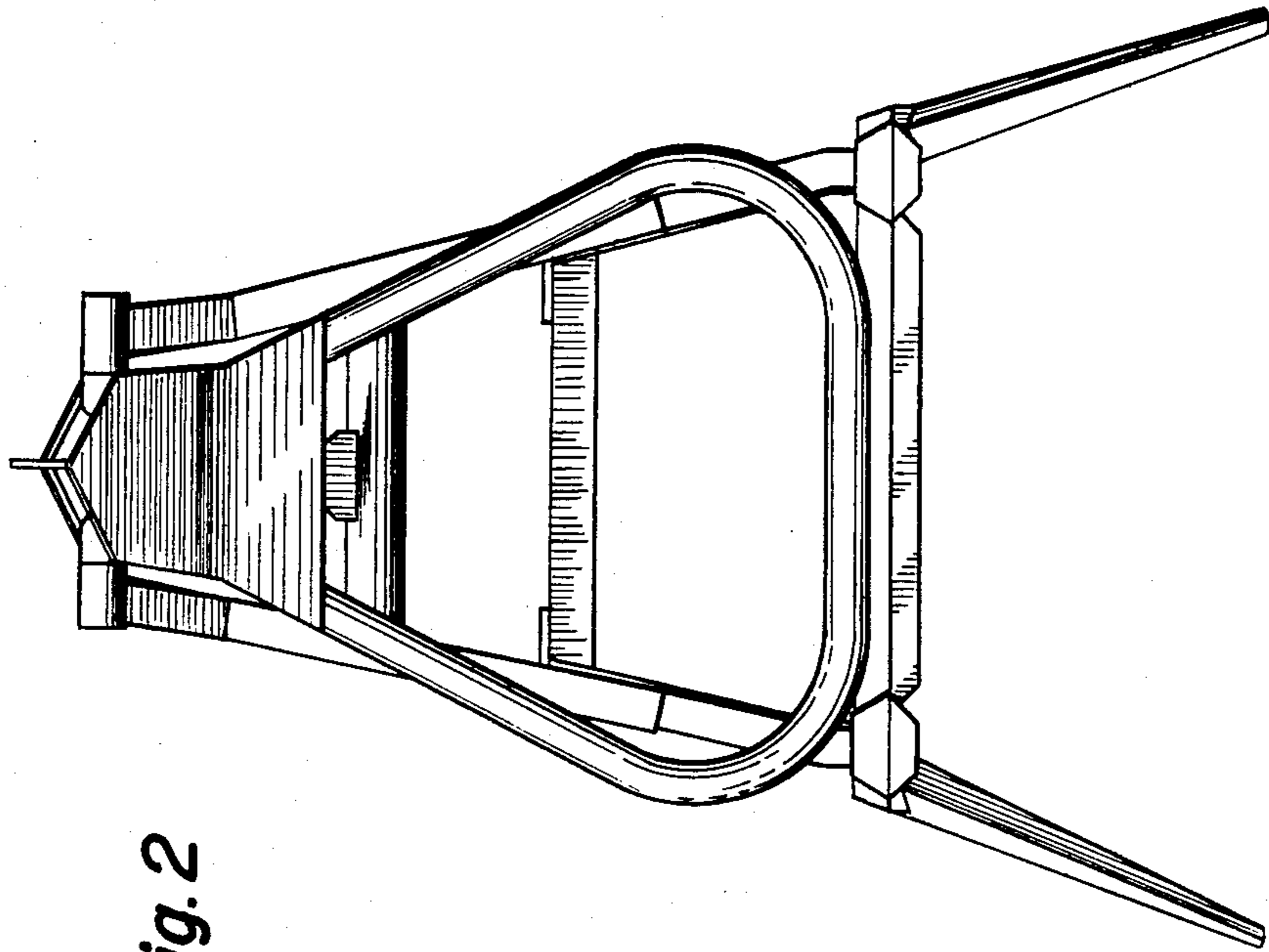


Fig. 2

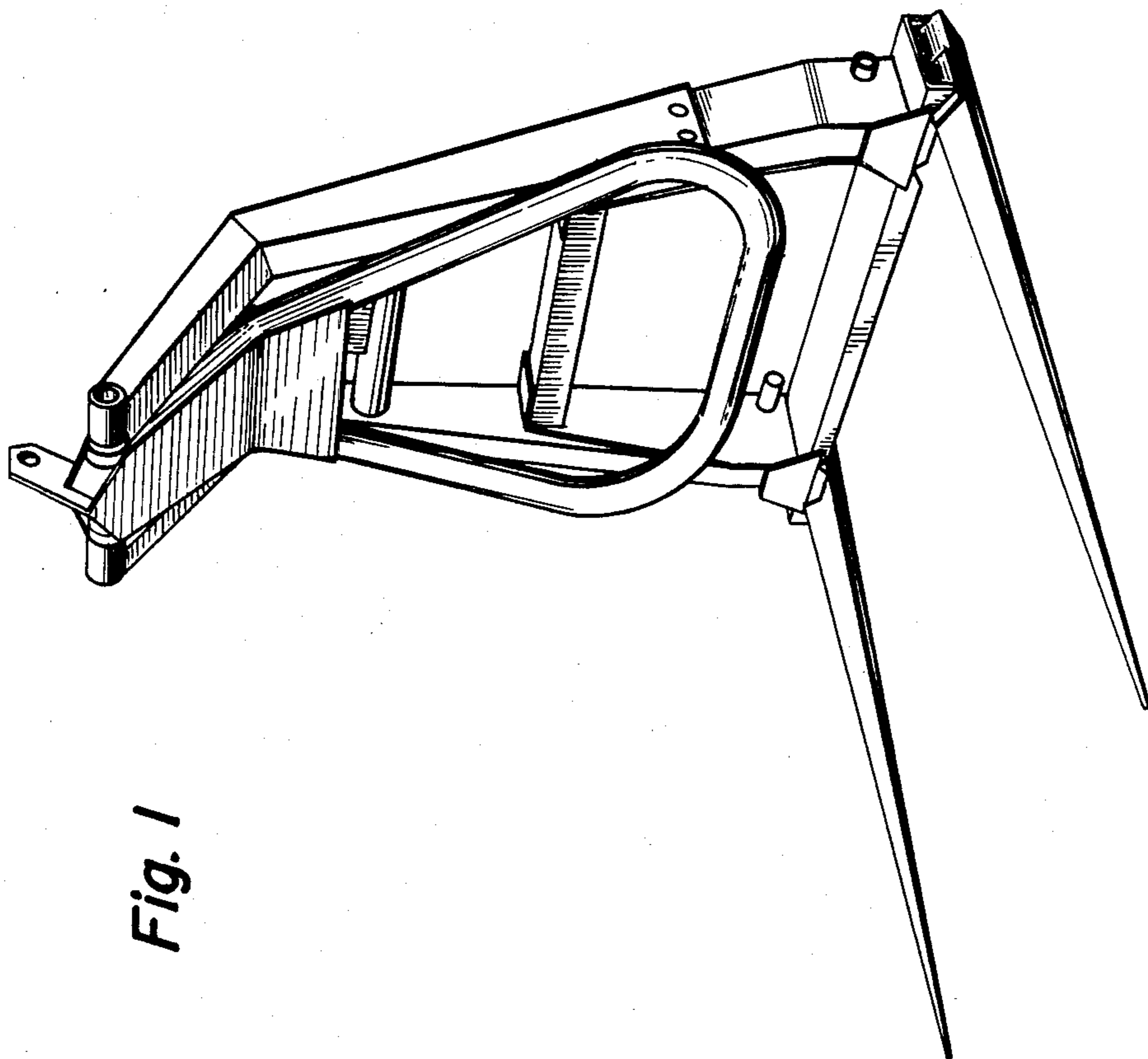


Fig. 1

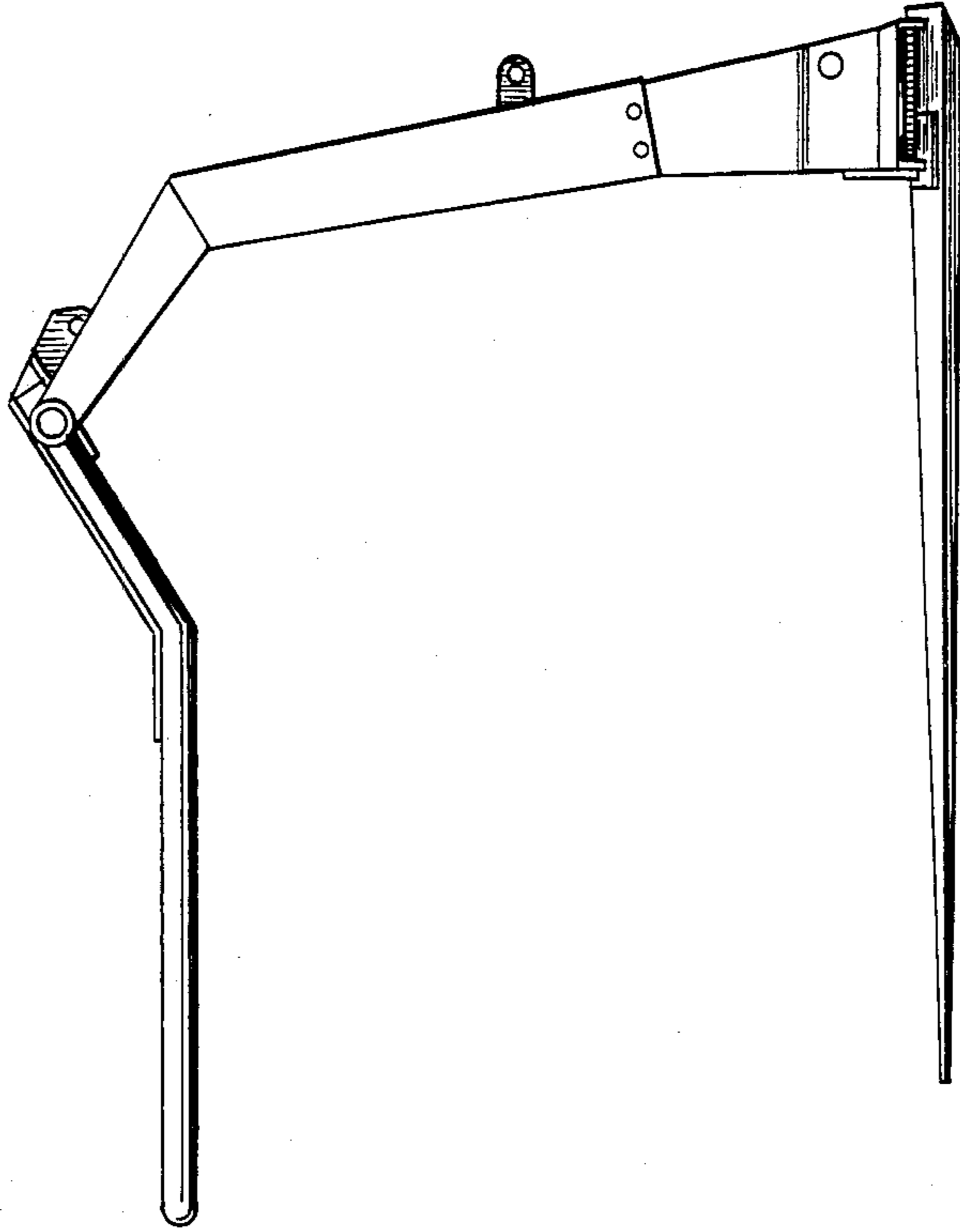


Fig. 4

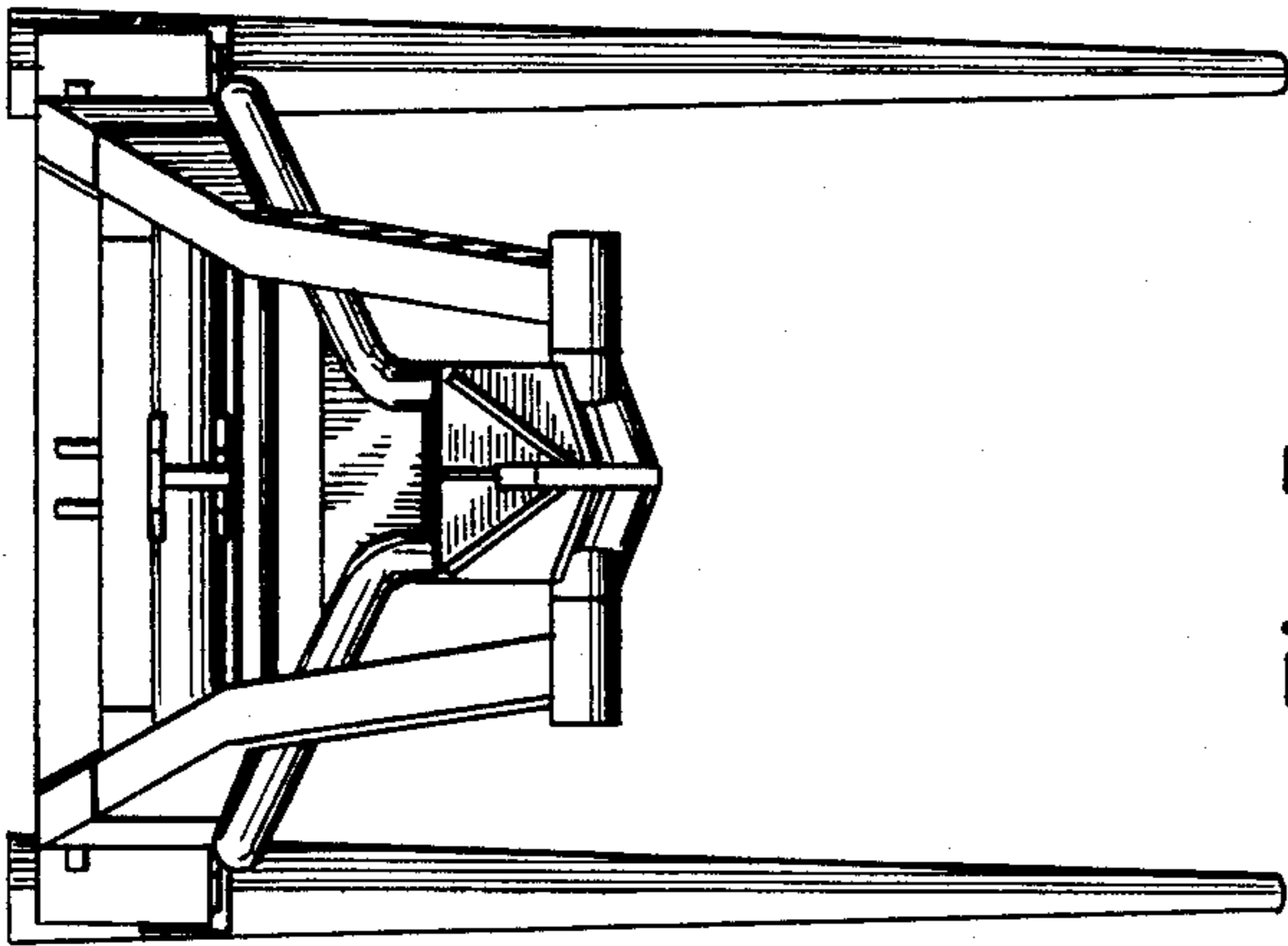


Fig. 5

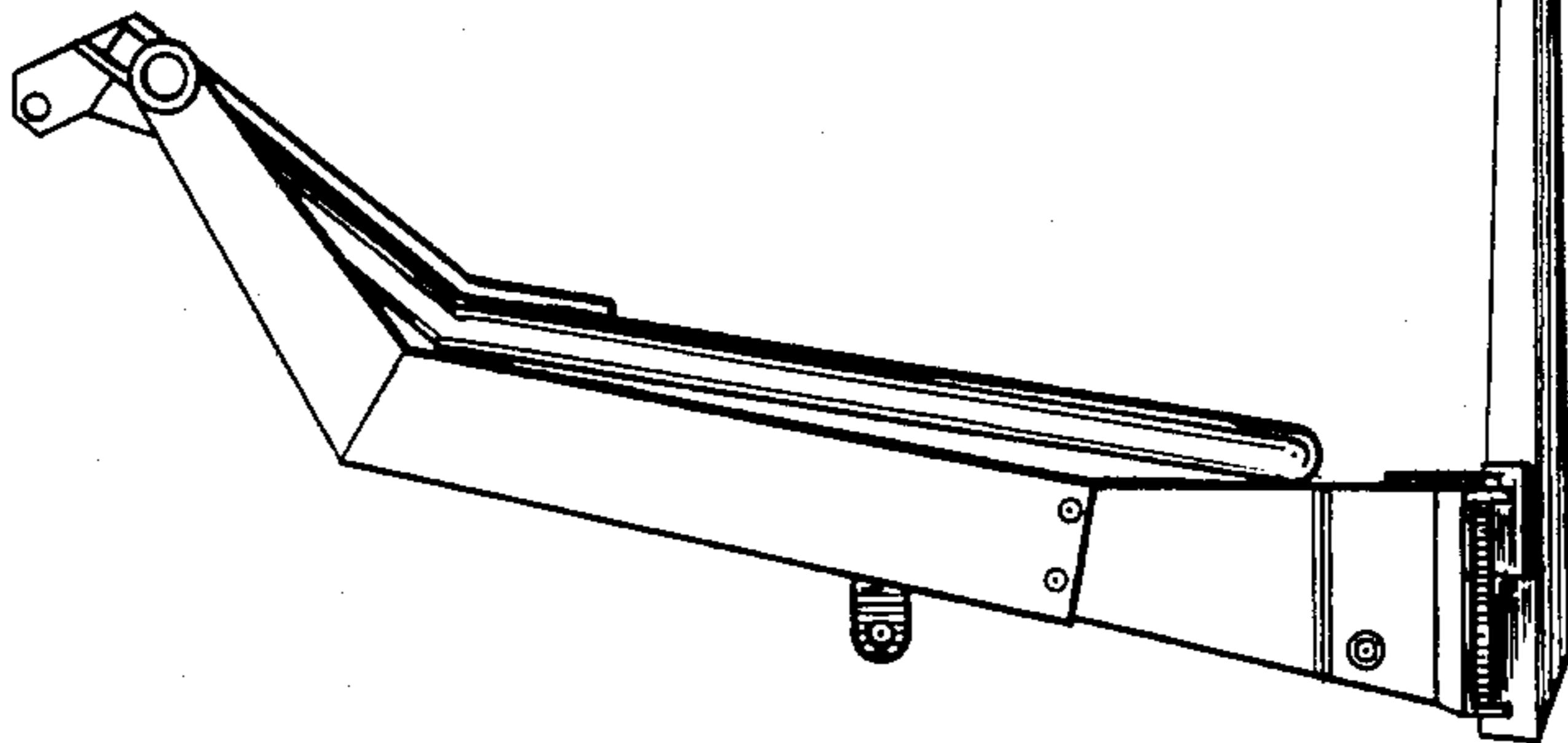


Fig. 3